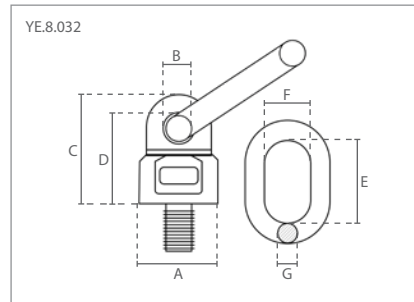
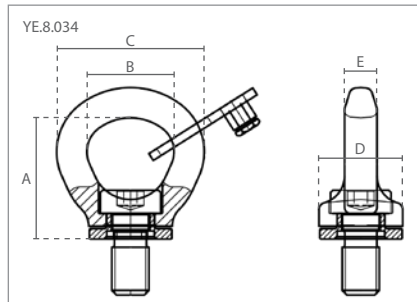




Rigging equipment according to EN 1677 Grade 80

Adjustable eye bolts
Swivel lifting eyes



Article code	Specifications			Torque (Nm)	M	Dimensions (mm)				
	Capacity 0° (ton)	Capacity 90° (ton)	Weight (kg)			A	B	C	D	E
YE.8.034.08	0,800	0,300	0,1	6-10	M8x12	38	26	46	25	8
YE.8.034.10	1,000	0,400	0,1	6-10	M10x14	38	26	46	25	8
YE.8.034.12	2,000	0,750	0,2	10-15	M12x17	44	32	54	33	10
YE.8.034.16	4,000	1,500	0,4	20-30	M16x24	52	38	64	36	14
YE.8.034.20	6,000	2,300	0,7	50-70	M20x30	63	45	79	48	21
YE.8.034.24	8,000	3,200	1,1	120-150	M24x35	74	52	92	53	21
YE.8.034.30	12,000	4,500	2,1	200-250	M30x45	92	65	118	68	24
YE.8.034.36	16,000	7,000	4,0	280-400	M36x57	105	76	136	82	30

Article code	Specifications			Torque (Nm)	M	Dimensions (mm)						
	Capacity 0° (ton)	Capacity 90° (ton)	Weight (kg)			A	B	C	D	E	F	G
YE.8.032.08.13	0,600	0,300	0,5	10-15	M8x13	36	17	51	41	55	30	14
YE.8.032.10	1,000	0,500	0,5	10-15	M10x18	36	17	51	41	55	30	14
YE.8.032.12	1,000	0,500	0,5	10-15	M12x18	36	17	51	41	55	30	14
YE.8.032.14	2,240	1,120	0,5	20-30	M14x20	36	17	51	41	55	30	14
YE.8.032.16	2,240	1,120	0,5	20-30	M16x20	36	17	52	42	55	30	14
YE.8.032.20	4,000	2,000	1,0	50-70	M20x30	50	19	68	56	70	35	16
YE.8.032.24	6,300	3,150	1,3	130-160	M24x30	57	22	78	66	85	40	18
YE.8.032.27	6,300	3,150	1,5	180-220	M27x35	57	22	78	66	85	40	20
YE.8.032.30	10,600	5,300	2,3	200-250	M30x35	66	24	97	81	85	40	20
YE.8.032.36	12,800	8,000	3,9	280-400	M36x50	80	28	109	90	115	50	22
YE.8.032.39	12,800	8,000	4,3	280-400	M39x90	80	28	109	90	115	50	22
YE.8.032.42	16,000	10,000	4,5	500-600	M42x50	80	28	109	90	115	50	25
YE.8.032.48	16,000	10,000	4,7	500-650	M48x50	80	28	109	90	115	50	25
YE.8.032.56	24,000	15,000	11,8	600-900	M56x84	117	42	246	214	152	70	32
YE.8.032.64	24,000	15,000	12,5	600-900	M64x95	117	42	257	214	152	70	32