

Drum Clamps



PAVLÍNEK
VÁZACÍ PROSTŘEDKY

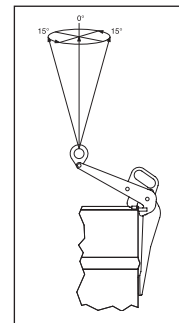
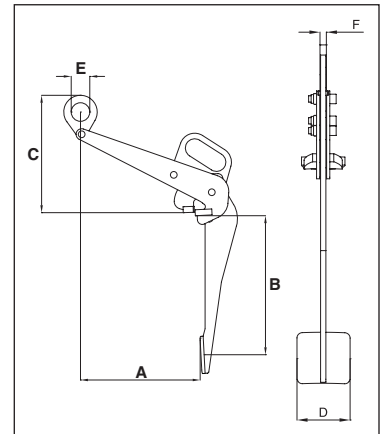
EMAIL: OBCHOD@PAVLÍNEK.CZ
TEL: +420 595 693 911
ŠALOUNOVA 746/31, OSTRAVA VÍTKOVICE
IČ: 25358511 DIČ: CZ25358511



IPDV
The IPDV drum clamp is for vertical lift and transfer. Allows drum to remain in an upright position during the lift and transfer using one clamp.

Designed to lift, move and transfer 50-55 gallon drums with steel tops

- Available in capacity of .5 metric tons.
- Jaw openings available: IPDV - 300mm and IPVK - 17mm.
- Welded alloy steel body for strength and smaller size. Forged alloy components, where required.
- Individually Proof Tested to 2 times the Working Load Limit with certification.
- Company name (CrosbyIP), logo, Working Load Limit and jaw opening permanently stamped on body.
- Each product is individually serialized, with the serial number and Proof Load test date stamped on body. User manual with test certificate is included with each clamp.
- Maintenance and repair kits are available.
- Manufactured by an ISO 9001 facility.
- IPDV is **RFID EQUIPPED**.



Model IPDV

Model	Working Load Limit (t)*	IPDV Stock No.	Weight Each (kg)	Dimensions (mm)					
				Jaw A	B	C	D	E	F
IPDV	.5	2700118	7.1	300	375	290	100	50	12

* Design Factor based on EN 13155 and ASME B30.20.

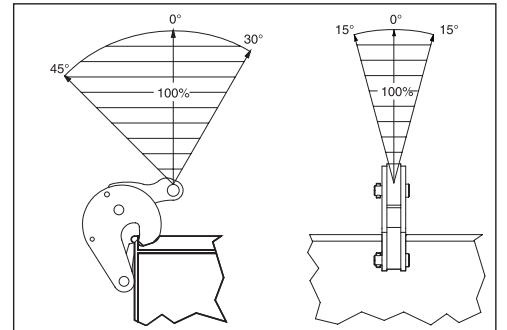
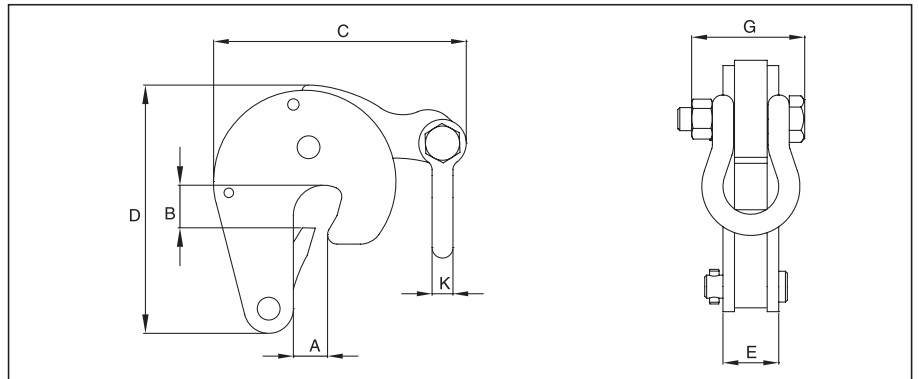


IPVK
The IPVK drum clamp is for vertical lift and transfer. Automatically locks on drum, and can be used alone or in pairs.

Model IPVK

Model	Working Load Limit (t)*	IPVK Stock No.	Weight Each (kg)	Dimensions (mm)						
				Jaw A	B	C	D	E	G	K
IPVK	.5	2700116	1.6	0 - 17	26	135	132	29	51	11

* Design Factor based on EN 13155 and ASME B30.20.



Crosby Lifting Clamps