

Oficiální prodejce:



Šalounova 746/31
703 00 Ostrava - Vítkovice
www.pavlinek.cz

Tel.: +420 595 693 911
Fax: +420 595 693 958
E-mail: obchod@pavlinek.cz

Gradup



THE SPECIALIST IN **SWIVEL LIFTING RINGS**



Oficiální prodejce:



Salounova 746/31
703 00 Ostrava - Vítkovice
www.pavlinek.cz

Tel.: +420 595 693 911
Fax: +420 595 693 958
E-mail: obchod@pavlinek.cz

How to Gradup ?



1

Download Gradup app



2

Scan the marker above

3

Move around and be amazed !



Oficiální prodejce:

X PAVLÍNEK
VÁZACÍ PROSTŘEDKY

Šalounova 746/31
703 00 Ostrava - Vítkovice
www.pavlinek.cz

Tel.: +420 595 693 911
Fax: +420 595 693 958
E-mail: obchod@pavlinek.cz

EDITORIAL



**«At CODIPRO,
innovation is in our
genes»**

Since its integration into ALIPA Group during 2004, CODIPRO has been in a state of constant development.

This development is reflected in some very significant events: new buildings, many more employees, communication tools that are adapted to new technologies, workshops redesigned to maintain maximum flexibility despite sales volumes multiplying by ten, etc.

Such growth has enabled our teams to develop their expertise and allowed us to acquire new techniques; all this means that we can now aspire to a very high level of competitiveness.

However, none of these changes have been on the scale of the current developments taking place at CODIPRO.

The new product range, which will be launched at the beginning of 2018, is the result of a long-standing collaboration between our technical teams and European research centers.

This range, GRADUP, is the very best that we can achieve today based on our key criteria: WLL, Design, Competitiveness. Read on to find out all the details and key features of the GRADUP brand.

In this constantly challenging and changing environment, we stayed loyal to our values. More than ever, "Our QUALITY = Your SAFETY" is undoubtedly what best defines CODIPRO. Located right in the heart of Europe, we are proud to display the label "Made in Luxembourg" - a seal of quality, innovation and professionalism.

As the only manufacturer to focus 100% on swivel lifting rings, CODIPRO has an in-depth knowledge of local and international standards and legislation. By way of possible involvement in European Committee for Standardization, we are able to bring lifting rings to market that comply with the very latest changes in regulations. CODIPRO lifting rings come with instructions in multiple languages and an individual certificate of compliance, so that they can be used worldwide.

The safety swivel lifting rings manufactured by CODIPRO are available via a network of partner distributors known as "EXPERTS". A charter, in which clarity and transparency are key words, defines the roles of the three parties involved in this business relationship: CODIPRO, the EXPERTS and the end users.

I cannot finish without saying that we will continue to evolve. I must not reveal too much, but can confirm that our next innovation is just about to be launched on the market... Who was talking about digitization?

Kind regards,

Christophe LOSANGE
Director

01.2018

Oficiální prodejce:



Šalounova 746/31
703 00 Ostrava - Vítkovice
www.pavlinek.cz

Tel.: +420 595 693 911
Fax: +420 595 693 958
E-mail: obchod@pavlinek.cz

Oficiální prodejce:



PAVLÍNEK
VÁZACÍ PROSTŘEDKY

Šalounova 746/31
703 00 Ostrava - Vítkovice
www.pavlinek.cz

Tel.: +420 595 693 911
Fax: +420 595 693 958
E-mail: obchod@pavlinek.cz

COMPANY

COMPANY

- GRADUP
- FIXED OR SWIVEL EYE BOLT ?
- CODIPRO AT YOUR DISPOSAL
- THE EXPERT CHARTER
- CERTIFICATION
- TRAINING CENTER

UNTERNEHMEN

- GRADUP
- FESTE RINGSCHRAUBEN ODER WIRBELRINGSCHRAUBEN ?
- CODIPRO STETS ZU IHREN DIENSTEN
- CHARTA FÜR EXPERTEN
- DIE TYPENPRÜFUNG
- SCHULUNGEN

SOCIÉTÉ

- GRADUP
- ANNEAU FIXE OU ARTICULÉ ?
- CODIPRO À VOTRE SERVICE
- LA CHARTE DE L'EXPERT
- HOMOLOGATION
- CENTRE DE FORMATION

EMPRESA

- GRADUP
- ¿ CÁNCAMO FIJO O ARTICULADO ?
- CODIPRO A SU DISPOSICIÓN
- LA CARTA DEL EXPERTO
- CERTIFICACIÓN
- CENTRO DE CAPACITACIÓN

www.codipro.net


CODIPRO
GROUP
LIPA

Oficiální prodejce:



Šalounova 746/31
703 00 Ostrava - Vítkovice
www.pavlinek.cz

Tel.: +420 595 693 911
Fax: +420 595 693 958
E-mail: obchod@pavlinek.cz

Gradup

Oficiální prodejce:

PAVLÍNEK
VÁZACÍ PROSTŘEDKY

Šalounova 746/31
703 00 Ostrava - Vítkovice
www.pavlinek.cz

Tel.: +420 595 693 911
Fax: +420 595 693 958
E-mail: obchod@pavlinek.cz

GRADUP

The CODIPRO team, always listening to the market and keeping an eye on its trends, works constantly to improve and develop its range of **swivel lifting rings**.

The GRADUP range has been especially developed to be the quintessential swivel lifting ring, particularly in terms of the quality of the **raw materials** used.

The CODIPRO research department, supported by advice from internationally renowned research centers, selected the best quality steel to achieve the best balance between tensile strength, breaking load and fatigue strength.

Each component of the GRADUP lifting rings' hinge system has also been reviewed. The outer crowding dimensions, the screw couplings and the openings are compatible with CODIPRO lifting rings already on the market.

This major innovation, the GRADUP lifting ring, is the fruit of more than 40 years' experience combined with in-depth research.



Grade 6, 8, 10, 12... Why GRADUP ?



DSR lifting ring assembly

The quality of the steel is the essential characteristic of a swivel lifting ring. In the world of lifting, it is normal to speak in terms of class of steel, or "grade". This "grade" is what it's all about for a chain, because the diameter of the chain combined with the class of the material is what gives the lifting capacity. In recent years, some "grades" that are higher than others have appeared on the market. Based on this, many manufacturers are offering lifting rings of class 10, 12, 14, etc. These descriptions are not relevant for lifting devices with multiple components, such as a swivel lifting ring. This is why CODIPRO is seeking to move away from this trend that is almost entirely based on marketing promotions.

By creating the GRADUP (or optimized grade) range, CODIPRO is offering a breakthrough innovation. In a swivel lifting ring with multiple components, each element is subject to different constraints. In order to offer maximum strength, each separate piece must be conceived so that the materials used and the design are the most appropriate for its function within the overall device. With the release of the GRADUP brand, CODIPRO is now offering an ultra-safe and ultra-high-performance lifting ring.

Gradup

Oficiální prodejce:

PAVLÍNEK
VÁZACÍ PROSTŘEDKY

Šalounova 746/31
703 00 Ostrava - Vítkovice
www.pavlinek.cz

Tel.: +420 595 693 911
Fax: +420 595 693 958
E-mail: obchod@pavlinek.cz

GRADUP

When can GRADUP be used ?

Anytime and anywhere in a traditional industrial environment: the GRADUP swivel lifting rings are designed to be used within a temperature range of -20°C to +200°C (-4°F to +392°F). Use recommendations provided in 15 languages give a detailed description of the conditions for use.

For extreme applications such as offshore use, or very low/very high temperatures, etc., our engineers at the CODIPRO research department are available to provide details about the composition of our lifting rings: strength, chemical composition, mechanical strength, tensile strength, etc.

What certifications have been given to the GRADUP range ?

All CODIPRO swivel lifting rings comply strictly with the points in the Machinery Directive 2006/42/CE.

The EN 1677-1 standard (January 2009) applicable to "forged steel components of Grade 8" is restrictive with regard to the quality of the steel that can be used. With its innovative GRADUP range, CODIPRO has gone further, using higher-performance steels.

CODIPRO has committed to complying with the essential points of the EN 1677-1 standard: the way in which the components must be produced, tested and certified.

All lifting rings in the GRADUP range also comply with the ASME B30.26-2010 standard. They can be used in the USA with no specific safety measures.



01.2018

CODIPRO
LIPÁ

www.codipro.net - info@codipro.net

25, Salzbaach - L-9559 WILTZ - Tél : +352 26 81 54 1 - Fax : +352 81 05 17

What are the benefits of the GRADUP range ?

- Individually packed in a transparent, resealable pack containing the use recommendations and the certificate of compliance, each GRADUP lifting ring has an **individual traceability number** that is specific to CODIPRO.
- The GRADUP lifting rings are **100% compatible with lifting rings in the existing** SEB, DSR, DSS ranges, etc. They are simply **more effective**.
- The optimization of the raw materials enables a significant improvement in WLL: **up to 11% additional WLL** (23% in safety factor 4).
- In keeping with its mission statement: "Our QUALITY = Your SAFETY", CODIPRO is offering certified lifting rings stamped with the **5:1 safety factor**, which means they can be used throughout the world, including in the USA. CODIPRO also provides all the information needed for use with a **4:1 safety factor**, as defined under the EN 1677-1 standard.
- A lifting ring is intrinsically stronger when it is used **linearly** (= an angle of 0°). Under these conditions, the GRADUP lifting rings offer **improved WLL**, the values for which are defined in the tables at the end of the catalogue.
- An **anti-corrosion coating** means that the unpainted parts of the CODIPRO swivel lifting rings are resistant to salt mist spray for 600 hours.
- The **tightening torque is stamped** on all lifting rings in the GRADUP range.
- As a producer of lifting fittings, CODIPRO is especially concerned with the orange color (RAL 2002), which is always associated with SAFETY. This particular shade, which has been a feature of the CODIPRO brand for many years, allowing users to distinguish CODIPRO's lifting rings from all the copies available on the market that could put operators' lives in danger.



Model SEB



Model FE.DSR



Model DSS

Oficiální prodejce:

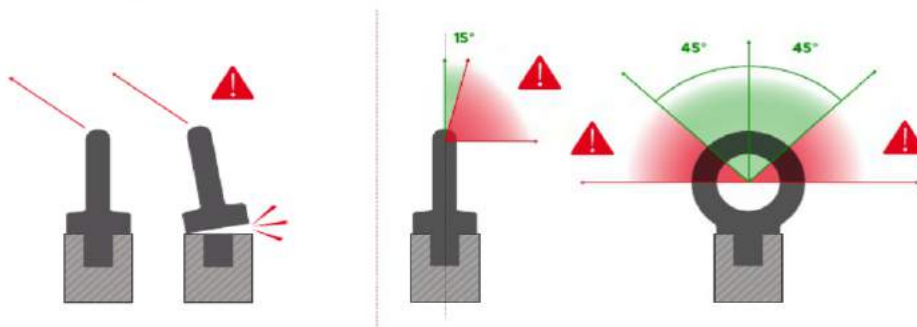


Šalounova 746/31
703 00 Ostrava - Vítkovice
www.pavlinek.cz

Tel.: +420 595 693 911
Fax: +420 595 693 958
E-mail: obchod@pavlinek.cz

FIXED OR SWIVEL EYE BOLT ?

Traditional fixed eye bolts (also known as DIN 580 rings) are intended for straight lifting: at a 0° angle to the direction of pulling. They are strictly prohibited for perpendicular lifting: at a 90° angle to the direction of pulling.



Swivel lifting rings are specially designed for turning loads.

CODIPRO rings can be used in any kind of hoisting situation whether there is an angle or for a straight lift, and/or for all types of anchoring.

The design of CODIPRO swivel rings allows pulling from any angle and to rotate safely under load. Painted in orange (RAL 2002), the color is a sign for safety. The indelible engravings of CODIPRO rings state:

- > The compliance to EC directives;
- > GRADUP steel quality;
- > The recommended tightening torque;
- > The manufacturer brand;
- > Traceability marks of each component (blacksmith + batch number);
- > The thread diameter;
- > The WLL;
- > And... an **individual traceability number**.

Each ring is packed in a bag including its individual certificate of conformity and use recommendations.

It is recommended to use lifting rings with bolts that are firmly connected to the whole system; this eliminates the risk of replacing it with an unsuitable one.

	FIXED eye bolt	SWIVEL lifting ring
Straight lift	✓	✓
90° lift	✗	✓
Automatic alignment of the shackle	✗	✓
Rotation under load	✗	✓
High WLL	✗	✓
Individual traceability	✗	✓

01.2018



www.codipro.net - info@codipro.net

25, Salzbaach - L-9559 WILTZ - Tél : +352 26 81 54 1 - Fax : +352 81 05 17

Oficiální prodejce:



Šatounova 746/31
703 00 Ostrava - Vítkovice
www.pavlinek.cz

Tel.: +420 595 693 911
Fax: +420 595 693 958
E-mail: obchod@pavlinek.cz

CODIPRO AT YOUR DISPOSAL

For more than 40 years, CODIPRO has been providing lifting equipment distribution professionals with expertise, technology and all the skills of a manufacturer that has become a major player in the international market.

From single items to large batches, from standard to special, CODIPRO manufactures and sells a complete range of swivel lifting rings for many sectors such as the molding industry, material handling, transport, logistics, the shipbuilding industry, offshore, lifting, aeronautics and wind power.

Technical expertise

The safety of people and goods is one of CODIPRO's core values. The design and manufacture of swivel lifting rings must be flawless and require a very high level of technical expertise. CODIPRO offers a full range of lifting rings with a WLL of up to 125 tons.



Research & development

Thanks to the close collaboration between its engineering department and several European Research Centers, CODIPRO places great emphasis on the research and development of its products. Ever attentive to the market and changing needs, the R&D department strives to make continuous improvements to the materials' strength and develop new rings. The new GRADUP range is the result of this continual innovation.

Quality & environment



Hardness tensile testing machine

CODIPRO pays particular attention to the quality of its swivel lifting rings throughout the manufacturing process, and each production step confirms strictly with the ISO 9001 and ISO 14001 quality management systems and the standards in force, i.e. the harmonized European lifting standards and the Machinery Directive 2006/42/CE.

The new CODIPRO - GRADUP swivel lifting rings are manufactured in keeping with the standard EN 1677-1 and even go beyond that for many aspects. This means that they comply with essential safety requirements and are subject to very strict and frequent checks.

01.2018



www.codipro.net - info@codipro.net

25, Salzbaach - L-9559 WILTZ - Tél : +352 26 81 54 1 - Fax : +352 81 05 17

Oficiální prodejce:



Šalounova 746/31
703 00 Ostrava - Vítkovice
www.pavlinek.cz

Tel.: +420 595 693 911
Fax: +420 595 693 958
E-mail: obchod@pavlinek.cz

CODIPRO AT YOUR DISPOSAL

To ensure your **safety**, several types of tests must be carried out to check the **strength and quality** of the swivel lifting rings:

- > Breaking test;
- > Proof test load at WLL x 2.5;
- > Fatigue testing: pull/release tests on a series of 20,000 cycles at WLL x 1.5.

To provide even more safety, CODIPRO is equipped with a test bench allowing testing up to 80 tons to be carried out internally. The tests are then validated by an external certification body.

Service client



Evelyne WEYNAND, Sales Department

At CODIPRO, cooperation between customer, distributor and producer is a central priority. Through its clear and transparent «Expert Charter», CODIPRO is committed to being attentive to its partners and providing service. Provision of technical advice, finding solutions, responsiveness, and the availability of various services are all core values implemented by all employees.

01.2018

THE EXPERT CHARTER

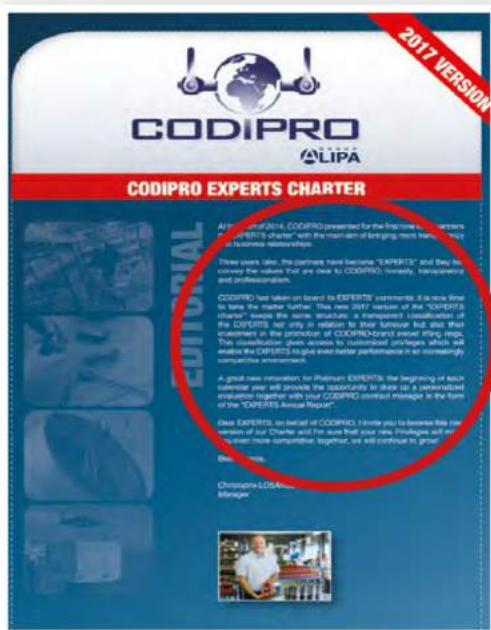
CODIPRO supplies its swivel lifting rings via a network of distributors. The quality of the information provided depends on the skills of these distributors. That is why CODIPRO has decided to support its loyal distributors and help them develop their skills.

This innovative approach by CODIPRO reflects its values of honesty, professionalism and transparency.

Henceforth classified as EXPERTS, CODIPRO's distributors have the benefit of coaching, the content of which is described in «CODIPRO's EXPERT Charter».

The privileges reserved for EXPERT distributors enable them to stand out in the highly competitive swivel lifting ring market.

By joining together in a letter of commitment, CODIPRO and its EXPERTS are strengthening their existing links and contributing towards their growth and prosperity.



At the start of 2014, CODIPRO presented for the first time to its partners its "EXPERTS charter" with the main aim of bringing more transparency into business relationships.

Three years later, the partners have become "EXPERTS" and they too convey the values that are dear to CODIPRO: honesty, transparency and professionalism.

CODIPRO has taken on board its EXPERTS' comments: it is now time to take the matter further. This new 2017 version of the "EXPERTS charter" keeps the same structure: a transparent classification of the EXPERTS not only in relation to their turnover but also their investment in the promotion of CODIPRO-brand swivel lifting rings. This classification gives access to customized privileges which will enable the EXPERTS to give even better performance in an increasingly competitive environment.

A great new innovation for Platinum EXPERTS: the beginning of each calendar year will provide the opportunity to draw up a personalized evaluation together with your CODIPRO contract manager in the form of the "EXPERTS Annual Report".

Dear EXPERTS, on behalf of CODIPRO, I invite you to browse this new version of our Charter and I'm sure that your new Privileges will make you even more competitive: together, we will continue to grow!

Best regards,

Christophe LOSANGE
Manager

CERTIFICATION

Creator, designer and producer of high quality safety swivel lifting rings, Codipro wants to give its clients the best advice and develop with them customized solutions to ensure the safety of both goods and people.

1. Why an approval?

The Machinery Directive 2006/42/CE states that :

- > All the lifting equipment have to be CE marked;
- > A declaration of conformity and an instruction manual must be provided with each delivery;
- > The manufacturer must be clearly identified.

2006/42/CE European directive extract

Scope

This Directive applies to the following products:

- a) machinery;
- b) interchangeable equipment;
- c) safety components;
- d) lifting accessories;
- e) chains, ropes and webbing.

Mechanical strength

Machinery and lifting accessories must be designed and constructed in such a way as to prevent failure [...] Strength calculations must take account of the value of the static test coefficient chosen to guarantee an adequate level of safety. That coefficient has, as a general rule, the following values:

- a) manually-operated machinery and lifting accessories.

Lifting accessories and their components

Lifting accessories and their components must be sized [...].

Moreover:

- a) all metallic components making up, or used with, a sling must have a working coefficient chosen in such a way as to guarantee an adequate level of safety; this coefficient is, as a general rule, equal to 4;
- b) in order to verify that an adequate working coefficient has been attained, the manufacturer or his authorised representative must, for each type of component perform the appropriate tests or have such test performed. [...].

The CODIPRO swivel lifting rings are in all respects consistent with the legislation.



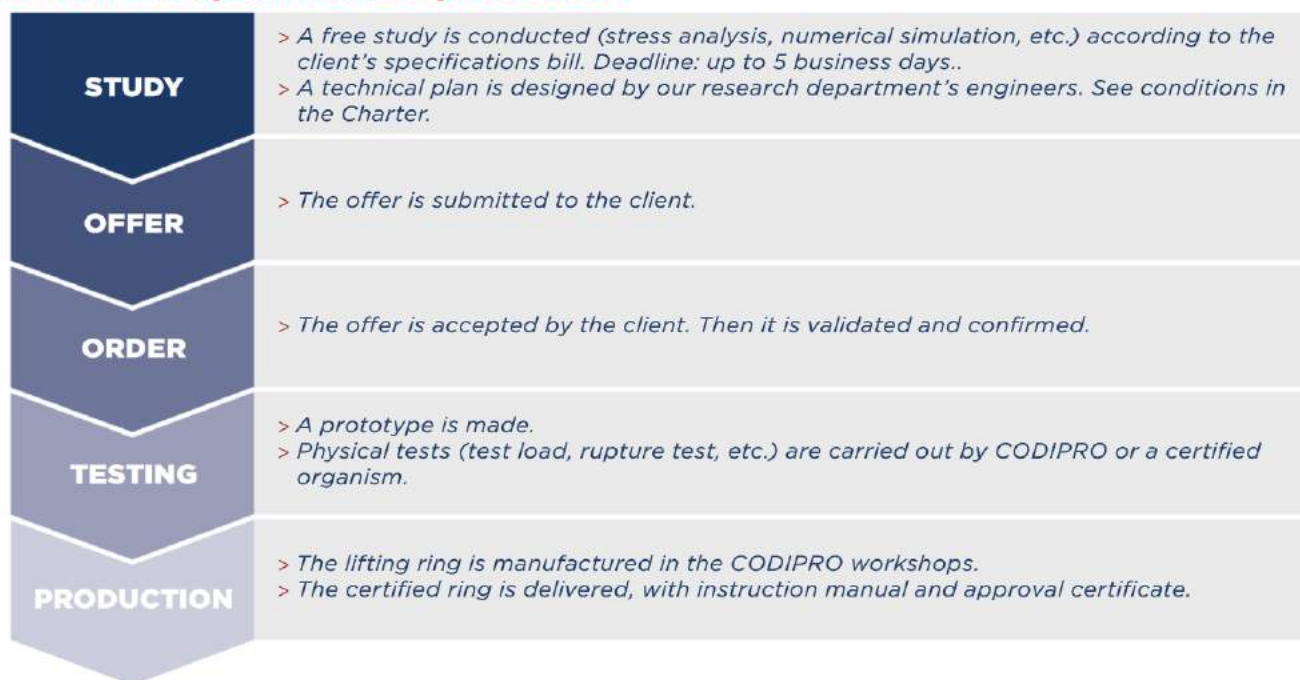
CERTIFICATION

2. When is an approval necessary ?

All the lifting rings manufactured by CODIPRO are approved :

- > The standard lifting rings are approved according to the EN1677-1 standard;
- > The non-standard lifting rings are approved according to the Machinery Directive 2006/42/CE.

3. How is a specific order processed ?



4. How exactly is the approval carried out ?

> Study of the technical feasibility

Engineers from the CODIPRO research department study the client's specifications bill and design a model (stress analysis, numerical simulation, etc.).

> Tests or calculation notes taking into account :

- The result of the test load;
- The resistance to destruction;
- The fatigue.

> Edition of the tests reports

> Writing of a certificate of conformity taking into account the following items :

- Safety coefficient consistent with the Machinery Directive 2006/42/CE ;
- Individual traceability;
- Cracks checking.

Oficiální prodejce:



Šalounova 746/31
703 00 Ostrava - Vítkovice
www.pavlinek.cz

Tel.: +420 595 693 911
Fax: +420 595 693 958
E-mail: obchod@pavlinek.cz

TRAINING CENTER

The lifting profession is becoming increasingly regulated, affecting the choice, verification, conditions of use, and maintenance of equipment, as well as staff training.

Since it is only possible to explain something well with proper knowledge, CODIPRO provides its partners/experts with different types of trainings based on individual needs.

Training - the figures

- > 7 traveling instructors
- > 10 years of experience in lifting / safety training
- > 500 trained experts
- > 2500 people have been trained in 10 years
- > 4 training supports available
- > 400,000 km: Distance traveled by the instructors



Benoît COP, Export Manager

Training offered by CODIPRO

- 1) A training support for the EXPERTS, approved by EXPERTS
- 2) A training support for the end user of CODIPRO rings
- 3) Programs available in 6 languages
- 4) Training provided by personnel who are experienced in lifting techniques
- 5) Its workshop and technical staff are available for training sessions in Wiltz, Luxembourg



*Jim AUJAY, Sales Manager
Lifting & Rigging Specialty Sales (USA)*

Your contact person: Benoît COP - Training Manager

E-mail : bcop@codipro.net - Tel. : +352 26 81 5434 - Cell phone : +32 496 54 53 33

Presentation sheets for the various training sessions are available on request

01.2018



www.codipro.net - info@codipro.net

25, Salzbaach - L-9559 WILTZ - Tél : +352 26 81 54 1 - Fax : +352 81 05 17

Oficiální prodejce:

PAVLÍNEK
VÁZACÍ PROSTŘEDKY

Šalounova 746/31
703 00 Ostrava - Vítkovice
www.pavlinek.cz

Tel.: +420 595 693 911
Fax: +420 595 693 958
E-mail: obchod@pavlinek.cz

GRADUP

GRADUP

- DSR
- DSS
- MEGA.DSS
- GIGA.DSS
- SEB
- FE.DSR
- FE.DSS
- FE.SEK

www.codipro.net

CODIPRO
LIPA

Oficiální prodejce:



Šalounova 746/31
703 00 Ostrava - Vítkovice
www.pavlinek.cz

Tel.: +420 595 693 911
Fax: +420 595 693 958
E-mail: obchod@pavlinek.cz

DSR

GradUp



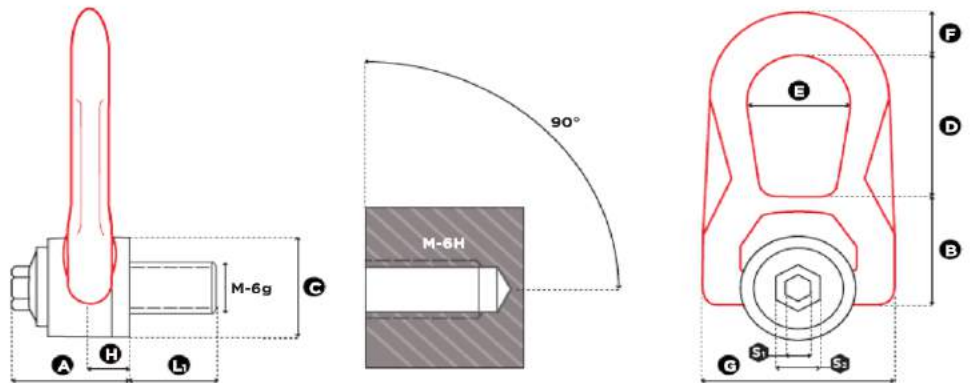
DOUBLE SWIVEL RING



Oficiální prodejce:

PAVLÍNEK
VÁZACÍ PROSTŘEDKY

Šalounova 746/31
703 00 Ostrava - Vítkovice
www.pavlinek.cz
Tel.: +420 595 693 911
Fax: +420 595 693 958
E-mail: obchod@pavlinek.cz



1 in = 25.4 mm

Reference	Diameter	SF 5:1 WLL (t)	SF 4:1 WLL (t)	Standard L ₁ (mm)	Torque (Nm)	S ₁ (mm)	S ₂ (mm)	A (mm)	B (mm)	C (mm)	D (mm)	E (mm)	F (mm)	G (mm)	H (mm)	Weight (kg)
DSR M 5 UP	M 5 (x0,8)	0,07	0,10	15	3	8	16	33	30	30	38	27	14	53	9,5	0,3
DSR M 6 UP	M 6 (x1)	0,15	0,20	15	4	8	16	33	30	30	38	27	14	53	9,5	0,3
DSR M 8 UP	M 8 (x1,25)	0,40	0,50	15	6	8	16	33	30	30	38	27	14	53	9,5	0,3
DSR M 10 UP	M 10 (x1,5)	0,70	0,90	18	10	8	16	33	30	30	38	27	14	53	9,5	0,3
DSR M 12 UP	M 12 (x1,75)	1,05	1,30	21	15	8	16	33	30	30	38	27	14	53	9,5	0,3
DSR M 14 UP	M 14 (x2)	1,40	1,80	23	30	8	20	45	40	45	53	38	17	76	13	0,9
DSR M 16 UP	M 16 (x2)	2,00	2,30	27	50	8	20	45	40	45	53	38	17	76	13	0,9
DSR M 18 UP	M 18 (x2,5)	2,30	2,30	27	70	8	20	45	40	45	53	38	17	76	13	0,9
DSR M 20 2t5 UP	M 20 (x2,5)	2,50	2,50	30	100	8	20	45	40	45	53	38	17	76	13	0,9
DSR M 20 3t2 UP	M 20 (x2,5)	2,90	3,20	25	100	14	24	62	55	60	83	55	25	115	19	2,6
DSR M 22 UP	M 22 (x2,5)	3,50	4,50	33	120	14	24	62	55	60	83	55	25	115	19	2,6
DSR M 24 UP	M 24 (x3)	4,40	5,50	36	160	14	24	62	55	60	83	55	25	115	19	2,6
DSR M 27 UP	M 27 (x3)	5,70	6,00	40	200	14	24	62	55	60	83	55	25	115	19	2,7
DSR M 30 6t3 UP	M 30 (x3,5)	6,00	6,30	45	250	14	24	62	55	60	83	55	25	115	19	2,7
DSR M 30 8t UP	M 30 (x3,5)	6,70	8,00	45	250	14	30	80	77	78	98	71	26	141	28	5,4
DSR M 36 UP	M 36 (x4)	8,00	8,50	54	320	14	30	80	77	78	98	71	26	141	28	5,4
DSR M 42 UP	M 42 (x4,5)	8,50	9,00	63	400	14	30	80	77	78	98	71	26	141	28	5,5

01.2018



www.codipro.net - info@codipro.net

25, Salzbaach - L-9559 WILTZ - Tél : +352 26 81 54 1 - Fax : +352 81 05 17

DSR

GradUp



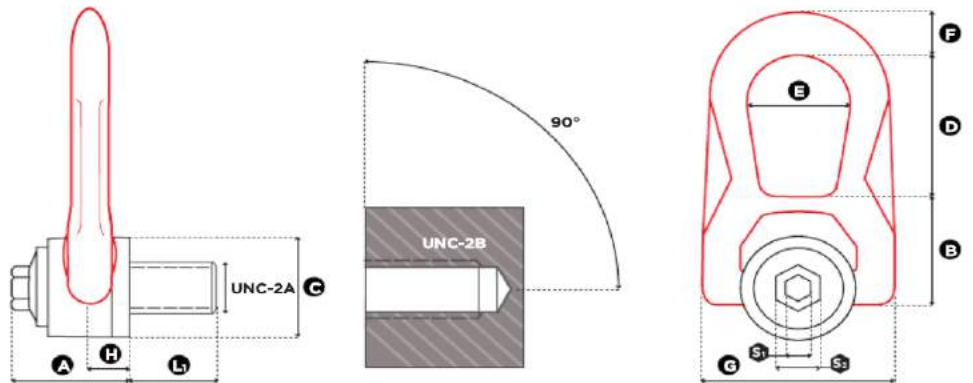
DOUBLE SWIVEL RING



Oficiální prodejce:

PAVLÍNEK
VÁZACÍ PROSTŘEDKY

Šalounova 746/31 Tel.: +420 595 693 911
703 00 Ostrava - Vítkovice Fax: +420 595 693 958
www.pavlinek.cz E-mail: obchod@pavlinek.cz



1 in = 25.4 mm

Reference	Diameter	SF 5:1 WLL (lbs)	SF 4:1 WLL (lbs)	Standard L ₁ (mm)	Torque (ft-lb)	S ₁ (mm)	S ₂ (mm)	A (mm)	B (mm)	C (mm)	D (mm)	E (mm)	F (mm)	G (mm)	H (mm)	Weight (kg)
DSR U 025 UP	UNC 1/4"-20	330	450	13	3	8	16	32	30	30	38	27	14	53	9,5	0,3
DSR U 516 UP	UNC 5/16"-18	1,000	1,200	15	5	8	16	33	30	30	38	27	14	53	9,5	0,3
DSR U 038 UP	UNC 3/8"-16	1,300	1,600	17	8	8	16	33	30	30	38	27	14	53	9,5	0,3
DSR U 050 UP	UNC 1/2"-13	2,400	2,800	21	12	8	16	33	30	30	38	27	14	53	9,5	0,3
DSR U 058 UP	UNC 5/8"-11	3,900	4,900	27	40	8	20	45	40	45	53	38	17	76	13	0,9
DSR U 075 UP	UNC 3/4"-10	5,250	5,250	30	80	8	20	45	40	45	53	38	17	76	13	0,9
DSR U 078 UP	UNC 7/8"-9	7,900	9,800	33	90	14	24	62	55	60	83	55	25	115	19	2,5
DSR U 100 UP	UNC 1"-8	11,200	12,500	36	125	14	24	62	55	60	83	55	25	115	19	2,6
DSR U 118 UP	UNC 1" 1/8-7	11,500	13,000	42	160	14	24	62	55	60	83	55	25	115	19	2,6
DSR U 125 UP	UNC 1" 1/4-7	13,500	13,500	45	200	14	24	62	55	60	83	55	25	115	19	2,7

DSS

GradUp



DOUBLE SWIVEL SHACKLE

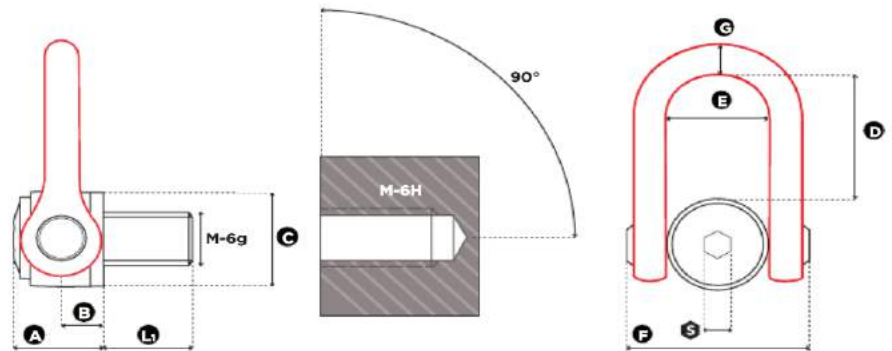
METRIC THREADS



Oficiální prodejce:

PAVLÍNEK
VÁZACÍ PROSTŘEDKY

Šalounova 746/31 Tel.: +420 595 693 911
703 00 Ostrava - Vítkovice Fax: +420 595 693 958
www.pavlinek.cz E-mail: obchod@pavlinek.cz



1 in = 25.4 mm

Reference	Diameter	SF 5:1 WLL (t)	SF 4:1 WLL (t)	Standard L ₁ (mm)	Torque (Nm)	S (mm)	A (mm)	B (mm)	C (mm)	D (mm)	E (mm)	F (mm)	G (mm)	Weight (kg)
DSS M 24 UP	M 24 (x3)	4,50	5,50	36	160	19	61	31	70	104	73	149	33	5,4
DSS M 30 UP	M 30 (x3,5)	7,70	8,50	45	250	19	61	31	70	104	73	149	33	5,5
DSS M 33 UP	M 33 (x3,5)	8,50	10,50	50	250	19	61	31	70	104	73	149	33	5,5
DSS M 36 UP	M 36 (x4)	11,00	12,00	54	320	19	61	31	70	104	73	149	33	5,5
DSS M 36x3 UP	M 36 (x3)	11,00	12,00	54	320	19	61	31	70	104	73	149	33	5,5
DSS M 39 UP	M 39 (x4)	12,00	14,00	58	320	19	61	31	70	104	73	149	33	5,7
DSS M 42 UP	M 42 (x4,5)	13,00	15,00	63	400	19	61	31	70	104	73	149	33	5,8
DSS M 42x3 UP	M 42 (x3)	13,00	15,00	63	400	19	61	31	70	104	73	149	33	5,8
DSS M 45 UP	M 45 (x4,5)	14,50	16,00	63	400	19	61	31	70	104	73	149	33	5,9
DSS M 48 UP	M 48 (x5)	17,00	20,00	68	600	19	79	38	90	125	91	182	45	11,0
DSS M 48x3 UP	M 48 (x3)	17,00	20,00	68	600	19	79	38	90	125	91	182	45	11,0
DSS M 48x4 UP	M 48 (x4)	17,00	20,00	68	600	19	79	38	90	125	91	182	45	11,0
DSS M 52 UP	M 52 (x5)	19,00	20,00	68	600	19	79	38	90	125	91	182	45	11,2
DSS M 56 UP	M 56 (x5,5)	22,00	25,00	78	600	19	79	38	90	125	91	182	45	11,3
DSS M 56x4 UP	M 56 (x4)	22,00	25,00	78	600	19	79	38	90	125	91	182	45	11,4
DSS M 64 UP	M 64 (x6)	25,00	32,10	90	600	19	79	38	95	125	91	182	45	12,2
DSS M 64x4 UP	M 64 (x4)	25,00	32,10	90	600	19	79	38	95	125	91	182	45	12,2
DSS M 72 UP	M 72 (x6)	22,00	25,00	90	600	19	79	38	95	125	91	182	45	14,0
DSS M 72x4 UP	M 72 (x4)	22,00	25,00	90	600	19	79	38	95	125	91	182	45	14,0
DSS M 80 UP	M 80 (x6)	25,00	32,10	90	600	19	79	38	100	125	91	182	45	15,0
DSS M 90 UP	M 90 (x6)	25,00	32,10	90	600	19	79	38	100	125	91	182	45	15,5
DSS M 100 UP	M 100 (x6)	25,00	32,10	90	600	19	79	38	110	125	91	182	45	16,5

01.2018



www.codipro.net - info@codipro.net

25, Salzbaach - L-9559 WILTZ - Tél : +352 26 81 54 1 - Fax : +352 81 05 17

DSS

GradUp



DOUBLE SWIVEL SHACKLE

UNC THREADS

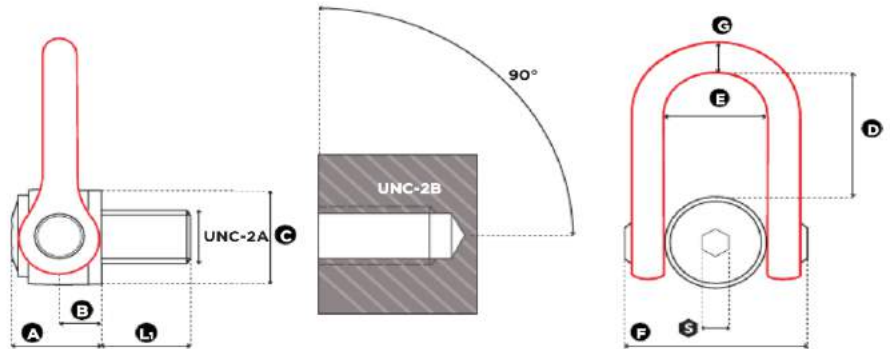


Oficiální prodejce:

PAVLÍNEK
VÁZACÍ PROSTŘEDKY

Šalounova 746/31
703 00 Ostrava - Vítkovice
www.pavlinek.cz

Tel.: +420 595 693 911
Fax: +420 595 693 958
E-mail: obchod@pavlinek.cz



1 in = 25.4 mm

Reference	Diameter	SF 5:1 WLL (lbs)	SF 4:1 WLL (lbs)	Standard L ₁ (mm)	Torque (ft-lb)	S (mm)	A (mm)	B (mm)	C (mm)	D (mm)	E (mm)	F (mm)	G (mm)	Weight (kg)
DSS U 100 UP	UNC 1"-8	10,000	13,000	36	125	19	61	31	70	104	73	149	33	5,4
DSS U 125 UP	UNC 1" 1/4-7	15,000	19,000	45	200	19	61	31	70	104	73	149	33	5,4
DSS U 138 UP	UNC 1" 3/8-6	21,000	22,000	54	240	19	61	31	70	104	73	149	33	5,4
DSS U 150 UP	UNC 1" 1/2-6	22,000	27,000	54	240	19	61	31	70	104	73	149	33	5,4
DSS U 175 UP	UNC 1" 3/4-5	27,000	33,000	63	300	19	61	31	70	104	73	149	33	5,9
DSS U 200 UP	UNC 2"-4,5	38,000	50,000	76	450	19	79	38	90	125	91	182	45	11,1
DSS U 250 UP	UNC 2" 1/2-4	48,500	55,000	90	450	19	79	38	95	125	91	182	45	12,2

MEGA.DSS

MEGA DOUBLE SWIVEL SHACKLE

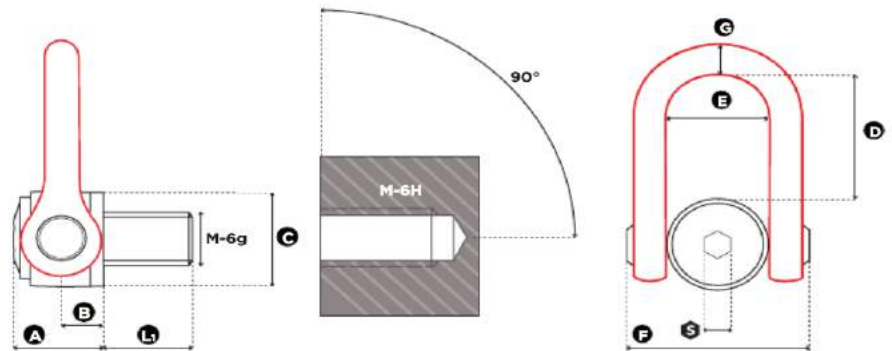
GradUp



Oficiální prodejce:

PAVLÍNEK
VÁZACÍ PROSTŘEDKY

Šalounova 746/31 Tel.: +420 595 693 911
703 00 Ostrava - Vítkovice Fax: +420 595 693 958
www.pavlinek.cz E-mail: obchod@pavlinek.cz



1 in = 25.4 mm

Reference	Diameter	SF 5:1 WLL (t)	SF 4:1 WLL (t)	Standard L ₁ (mm)	Torque (Nm)	S (mm)	A (mm)	B (mm)	C (mm)	D (mm)	E (mm)	F (mm)	G (mm)	Weight (kg)
MEGA.DSS M 64 UP	M 64 (x6)	26,00	33,00	100	600	36	127	64	140	195	143	278	69	42,0
MEGA.DSS M 72 UP	M 72 (x6)	28,00	35,00	110	700	36	127	64	140	195	143	278	69	43,0
MEGA.DSS M 72x4 UP	M 72 (x4)	28,00	35,00	110	700	36	127	64	140	195	143	278	69	43,0
MEGA.DSS M 80 UP	M 80 (x6)	32,00	40,00	120	800	36	127	64	140	195	143	278	69	44,5
MEGA.DSS M 90 UP	M 90 (x6)	36,00	45,00	135	900	36	127	64	140	195	143	278	69	46,5
MEGA.DSS M 100 UP	M 100 (x6)	48,00	60,00	150	1000	36	127	64	140	195	143	278	69	49,0

MEGA.DSS

MEGA DOUBLE SWIVEL SHACKLE

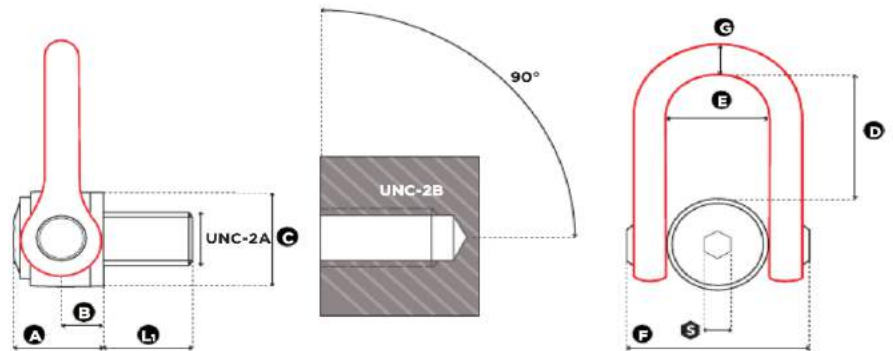
GradUp



Oficiální prodejce:

X PAVLÍNEK
VÁZACÍ PROSTŘEDKY

Salounova 746/31 Tel.: +420 595 693 911
703 00 Ostrava - Vítkovice Fax: +420 595 693 958
www.pavlinek.cz E-mail: obchod@pavlinek.cz



1 in = 25.4 mm

Reference	Diameter	SF 5:1 WLL (lbs)	SF 4:1 WLL (lbs)	Standard L ₁ (mm)	Torque (ft-lb)	S (mm)	A (mm)	B (mm)	C (mm)	D (mm)	E (mm)	F (mm)	G (mm)	Weight (kg)
MEGA.DSS U 275 UP	UNC 2" 3/4-4	60,000	75,000	105	520	36	127	64	140	195	143	278	69	42,5
MEGA.DSS U 300 UP	UNC 3" -4	64,000	80,000	115	520	36	127	64	140	195	143	278	69	43,0
MEGA.DSS U 325 UP	UNC 3" 1/4-4	72,000	90,000	125	590	36	127	64	140	195	143	278	69	44,5
MEGA.DSS U 350 UP	UNC 3" 1/2-4	76,000	95,000	135	665	36	127	64	140	195	143	278	69	46,0
MEGA.DSS U 375 UP	UNC 3" 3/4-4	80,000	100,000	145	740	36	127	64	140	195	143	278	69	47,0
MEGA.DSS U 400 UP	UNC 4" -4	88,000	110,000	150	740	36	127	64	140	195	143	278	69	49,0

**GIGA.DSS
GIGA.DSS+Q**

METRIC THREADS

GIGA DOUBLE SWIVEL SHACKLE

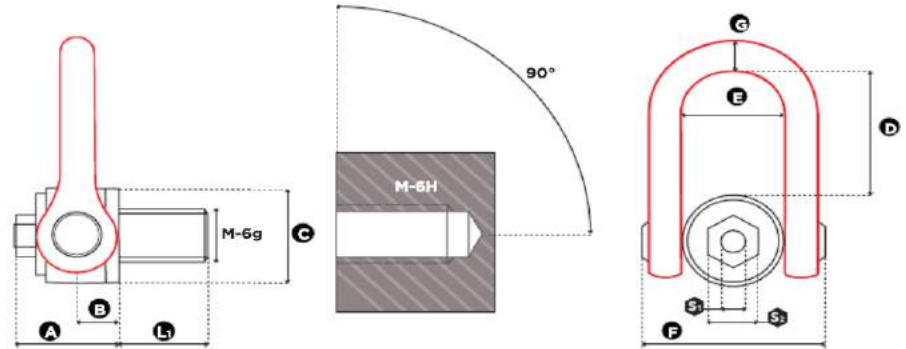
GradUp



Oficiální prodejce:

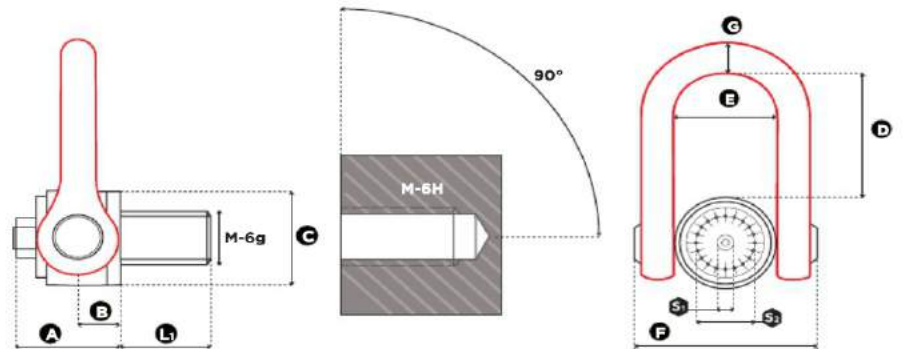
PAVLÍNEK
VÁZACÍ PROSTŘEDKY

Salounova 746/31
703 00 Ostrava - Vítkovice
www.pavlinek.cz
Tel: +420 595 693 911
Fax: +420 595 693 958
E-mail: obchod@pavlinek.cz



1 in = 25.4 mm

Reference	Diameter	SF 5:1 WLL (t)	Standard L ₁ (mm)	Torque (Nm)	S ₁ (mm)	S ₂ (mm)	A (mm)	B (mm)	C (mm)	D (mm)	E (mm)	F (mm)	G (mm)	Weight (kg)
GIGA.DSS M 150 UP	M 150 (x6)	125,00	228	2000	41	105	271	115	290	357	302	544	103	268



1 in = 25.4 mm

Reference	Diameter	SF 5:1 WLL (t)	Standard L ₁ (mm)	Torque (Nm)	S ₁ (mm)	S ₂ (mm)	A (mm)	B (mm)	C (mm)	D (mm)	E (mm)	F (mm)	G (mm)	Weight (kg)
GIGA.DSS+Q M 150 UP	M 150 (x6)	125,00	230	160	21	XZN N12 DIN 34824	267	115	290	357	302	544	103	268

01.2018



www.codipro.net - info@codipro.net
25, Salzbaach - L-9559 WILTZ - Tél : +352 26 81 54 1 - Fax : +352 81 05 17

Oficiální prodejce:



Šalounova 746/31
703 00 Ostrava - Vítkovice
www.pavlinek.cz

Tel.: +420 595 693 911
Fax: +420 595 693 958
E-mail: obchod@pavlinek.cz

SEB

GradUp



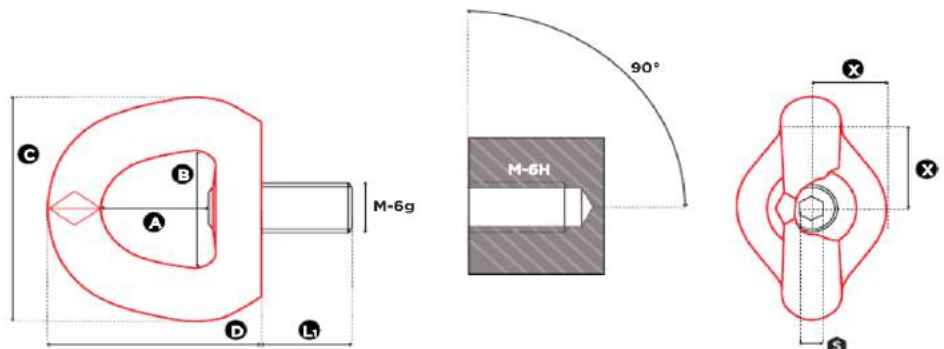
SWIVEL EYE BOLT



Oficiální prodejce:

PAVLÍNEK
VÁZACÍ PROSTŘEDKY

Šalounova 746/31 Tel.: +420 595 693 911
703 00 Ostrava - Vítkovice Fax: +420 595 693 958
www.pavlinek.cz E-mail: obchod@pavlinek.cz



1 in = 25.4 mm

Reference	Diameter	SF 5:1 WLL (t)	SF 4:1 WLL (t)	Standard L ₁ (mm)	Torque (Nm)	$\frac{X}{S}$	S (mm)	A (mm)	B (mm)	C (mm)	D (mm)	Weight (kg)
SEB M 8 UP	M 8 (x1,25)	0,40	0,50	14	6	20	6	30	34	60	57	0,24
SEB M 10 UP	M 10 (x1,5)	0,50	0,70	17	10	20	6	30	34	60	57	0,24
SEB M 12 UP	M 12 (x1,75)	0,80	0,90	21	15	20	6	30	34	60	57	0,24
SEB M 16 UP	M 16 (x2)	1,40	1,80	27	50	35	8	38	45	88	80	0,8
SEB M 20 UP	M 20 (x2,5)	2,00	2,70	30	100	35	8	38	45	88	80	0,8
SEB M 24 3t8 UP	M 24 (x3)	3,20	3,80	36	160	35	14	38	45	88	80	0,8
SEB M 24 4t2 UP	M 24 (x3)	3,40	4,20	36	160	50	14	58	70	115	106	2,6
SEB M 30 UP	M 30 (x3,5)	5,50	6,30	45	250	50	14	58	70	115	106	2,7
SEB M 36 UP	M 36 (x4)	9,00	11,00	54	320	70	14	83	94	168	155	7,0
SEB M 42 UP	M 42 (x4,5)	12,00	15,00	63	400	70	14	83	94	168	155	7,0
SEB M 48 UP	M 48 (x5)	15,00	16,00	68	600	70	19	80	94	168	155	7,0

01.2018

SEB

GradUp



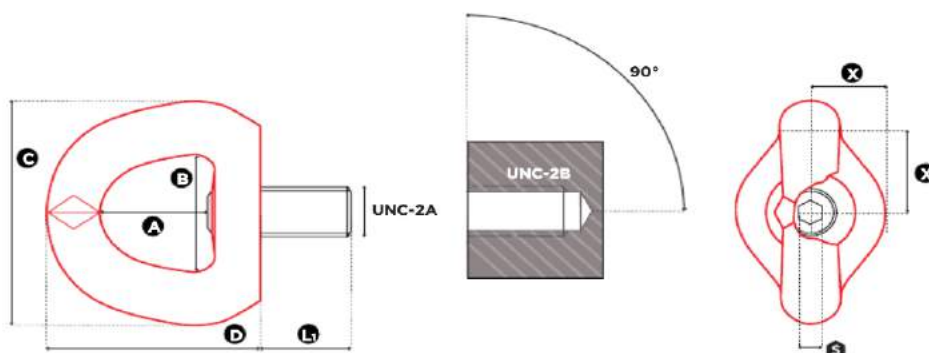
SWIVEL EYE BOLT



Oficiální prodejce:

PAVLÍNEK
VÁZACÍ PROSTŘEDKY

Šalounova 746/31 Tel.: +420 595 693 911
703 00 Ostrava - Vítkovice Fax: +420 595 693 958
www.pavlinek.cz E-mail: obchod@pavlinek.cz



1 in = 25.4 mm

Reference	Diameter	SF 5:1 WLL (lbs)	SF 4:1 WLL (lbs)	Standard L ₁ (mm)	Torque (ft-lb)		S (mm)	A (mm)	B (mm)	C (mm)	D (mm)	Weight (kg)
SEB U 038 UP	UNC 3/8"-16	1,200	1,500	17	8	20	6	30	34	60	57	0,24
SEB U 050 UP	UNC 1/2"-13	1,800	1,950	21	12	20	6	30	34	60	57	0,24
SEB U 058 UP	UNC 5/8"-11	3,200	4,000	27	40	35	8	38	45	88	80	0,8
SEB U 075 UP	UNC 3/4"-10	4,750	5,900	30	80	35	8	38	45	88	80	0,8
SEB U 100 UP	UNC 1"-8	7,500	9,300	36	125	50	14	58	70	115	106	2,6
SEB U 125 UP	UNC 1" 1/4-7	12,200	13,800	45	200	70	14	58	70	115	106	2,8
SEB U 150 UP	UNC 1" 1/2-6	20,000	25,000	62	240	70	14	83	94	168	155	7,0

01.2018

FE.DSR

GradUp



METRIC THREADS

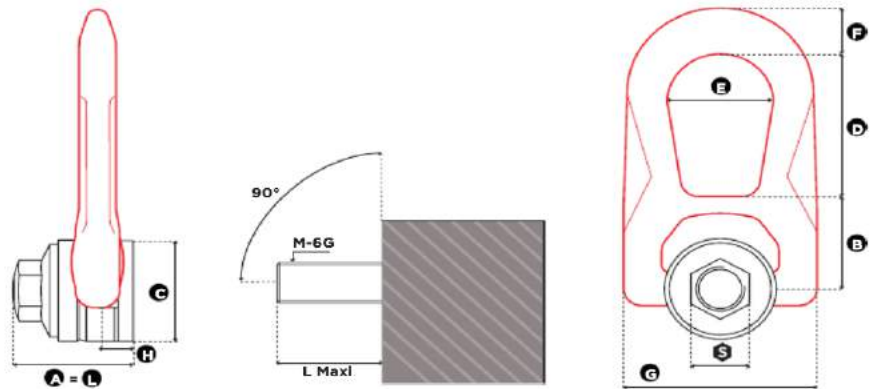
FEMALE DOUBLE SWIVEL RING



Oficiální prodejce:

X PAVLÍNEK
VÁZACÍ PROSTŘEDKY

Šalounova 746/31 Tel.: +420 595 693 911
703 00 Ostrava - Vítkovice Fax: +420 595 693 958
www.pavlinek.cz E-mail: obchod@pavlinek.cz



1 in = 25.4 mm

Reference	Diameter	SF 5:1 WLL (t)	SF 4:1 WLL (t)	L Maxl (mm)	Torque (Nm)	S (mm)	A (mm)	B (mm)	C (mm)	D (mm)	E (mm)	F (mm)	G (mm)	H (mm)	Weight (kg)
FE.DSR M 8 UP	M 8 (x1,25)	0,40	0,50	45	6	20	45	40	45	53	38	17	76	13	0,9
FE.DSR M 10 UP	M 10 (x1,5)	0,70	0,90	45	10	20	45	40	45	53	38	17	76	13	0,9
FE.DSR M 12 UP	M 12 (x1,75)	1,05	1,30	45	15	20	45	40	45	53	38	17	76	13	0,9
FE.DSR M 14 UP	M 14 (x2)	1,40	1,80	45	30	20	45	40	45	53	38	17	76	13	0,9
FE.DSR M 16 UP	M 16 (x2)	2,00	2,30	45	50	20	45	40	45	53	38	17	76	13	0,9
FE.DSR M 18 UP	M 18 (x2,5)	2,30	2,30	62	70	24	62	55	60	83	55	25	115	19	2,6
FE.DSR M 20 UP	M 20 (x2,5)	2,50	2,50	62	100	24	62	55	60	83	55	25	115	19	2,6
FE.DSR M 22 UP	M 22 (x2,5)	3,50	4,50	62	120	24	62	55	60	83	55	25	115	19	2,6

01.2018

FE.DSR

FEMALE DOUBLE SWIVEL RING

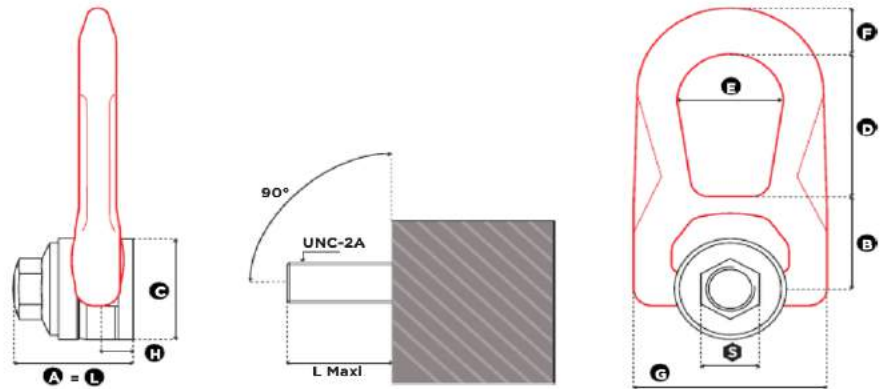
GradUp



Oficiální prodejce:

PAVLÍNEK
VÁZACÍ PROSTŘEDKY

Šalounova 746/31 Tel.: +420 595 693 911
703 00 Ostrava - Vítkovice Fax: +420 595 693 958
www.pavlinek.cz E-mail: obchod@pavlinek.cz



1 in = 25.4 mm

Reference	Diameter	SF 5:1 WLL (lbs)	SF 4:1 WLL (lbs)	L Maxi (mm)	Torque (Nm)	S (mm)	A (mm)	B (mm)	C (mm)	D (mm)	E (mm)	F (mm)	G (mm)	H (mm)	Weight (kg)
FE.DSR U 025 UP	UNC 1/4"-20	330	450	45	3	20	45	40	45	53	38	17	76	13	0,9
FE.DSR U 516 UP	UNC 5/16"-18	1,000	1,200	45	5	20	45	40	45	53	38	17	76	13	0,9
FE.DSR U 038 UP	UNC 3/8"-16	1,300	1,600	45	8	20	45	40	45	53	38	17	76	13	0,9
FE.DSR U 050 UP	UNC 1/2"-13	2,400	2,800	45	12	20	45	40	45	53	38	17	76	13	0,9
FE.DSR U 058 UP	UNC 5/8"-11	3,900	4,900	45	40	20	45	40	45	53	38	17	76	13	0,9
FE.DSR U 075 UP	UNC 3/4"-10	5,250	5,250	62	80	24	62	55	60	83	55	25	115	19	2,6
FE.DSR U 078 UP	UNC 7/8"-9	7,900	9,800	62	90	24	62	55	60	83	55	25	115	19	2,6

FE.DSS

GradUp



METRIC THREADS

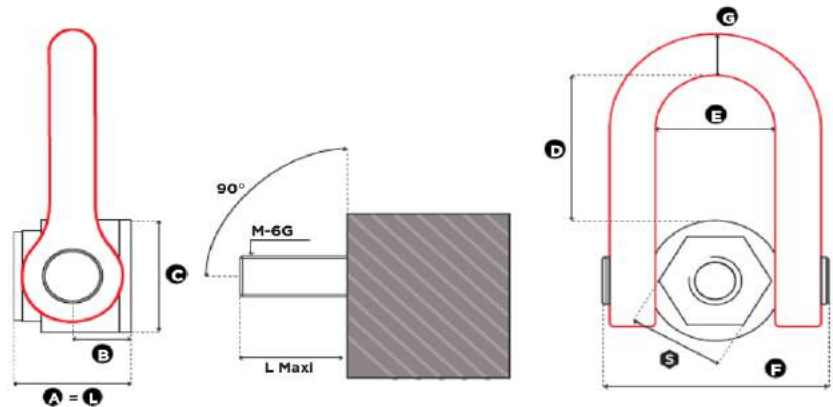
FEMALE DOUBLE SWIVEL SHACKLE



Oficiální prodejce:

PAVLÍNEK
VÁZACÍ PROSTŘEDKY

Šatounova 746/31
703 00 Ostrava-Vítkovice
www.pavlinek.cz
Tel.: +420 595 693 911
Fax: +420 595 693 958
E-mail: obchod@pavlinek.cz



1 in = 25.4 mm

Reference	Diameter	SF 5:1 WLL (t)	SF 4:1 WLL (t)	L Maxi (mm)	Torque (Nm)	S (mm)	A (mm)	B (mm)	C (mm)	D (mm)	E (mm)	F (mm)	G (mm)	Weight (kg)
FE.DSS M 24 UP	M 24 (x3)	4,50	5,50	66	160	50	66	31	70	104	73	149	33	5,8
FE.DSS M 27 UP	M 27 (x3)	5,20	6,50	66	200	50	66	31	70	104	73	149	33	5,8
FE.DSS M 30 UP	M 30 (x3,5)	7,50	8,50	66	250	50	66	31	70	104	73	149	33	5,8
FE.DSS M 33 UP	M 33 (x3,5)	8,00	10,50	66	250	50	66	31	70	104	73	149	33	5,8
FE.DSS M 36 UP	M 36 (x4)	10,00	12,00	66	320	50	66	31	70	104	73	149	33	5,8
FE.DSS M 39 UP	M 39 (x4)	12,00	14,00	89	320	60	89	38	95	125	91	182	45	12,0
FE.DSS M 42 UP	M 42 (x4,5)	13,00	15,00	89	400	60	89	38	95	125	91	182	45	12,0
FE.DSS M 45 UP	M 45 (x4,5)	14,50	16,00	89	400	60	89	38	95	125	91	182	45	12,0
FE.DSS M 48 UP	M 48 (x5)	17,00	20,00	89	600	60	89	38	95	125	91	182	45	12,0
FE.DSS M 52 UP	M 52 (x5)	19,00	21,00	89	600	60	89	38	95	125	91	182	45	12,0

FE.DSS

FEMALE DOUBLE SWIVEL SHACKLE

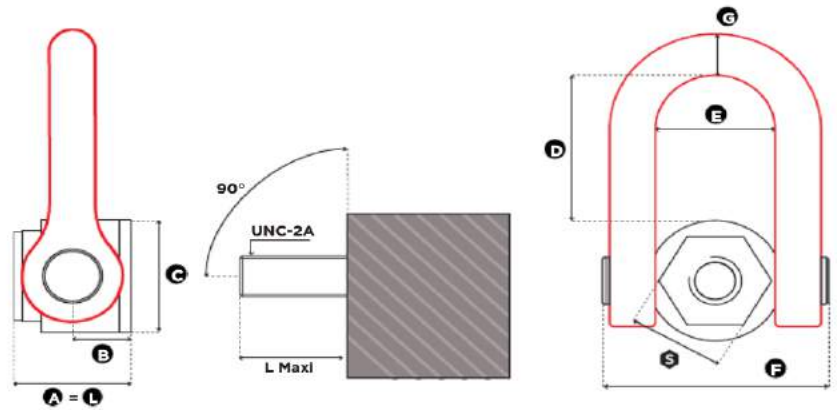
GradUp



Oficiální prodejce:

PAVLÍNEK
VÁZACÍ PROSTŘEDKY

Šalounova 746/31 Tel.: +420 595 693 911
703 00 Ostrava - Vítkovice Fax: +420 595 693 958
www.pavlinek.cz E-mail: obchod@pavlinek.cz



1 in = 25.4 mm

Reference	Diameter	SF 5:1 WLL (lbs)	SF 4:1 WLL (lbs)	L Maxi (mm)	Torque (Nm)	S (mm)	A (mm)	B (mm)	C (mm)	D (mm)	E (mm)	F (mm)	G (mm)	Weight (kg)
FE.DSS U 100 UP	UNC 1"-8	10,000	13,000	66	125	50	66	31	70	104	73	149	33	5,8
FE.DSS U 125 UP	UNC 1" 1/4-7	15,000	19,000	66	200	50	66	31	70	104	73	149	33	5,8
FE.DSS U 138 UP	UNC 1" 3/8-6	21,000	22,000	66	240	50	66	31	70	104	73	149	33	5,8
FE.DSS U 150 UP	UNC 1" 1/2-6	22,000	27,000	89	240	60	89	38	95	125	91	182	45	12,0
FE.DSS U 200 UP	UNC 2"-4,5	38,000	50,000	89	450	60	89	38	95	125	91	182	45	12,0

FE.SEB

GradUp



METRIC THREADS

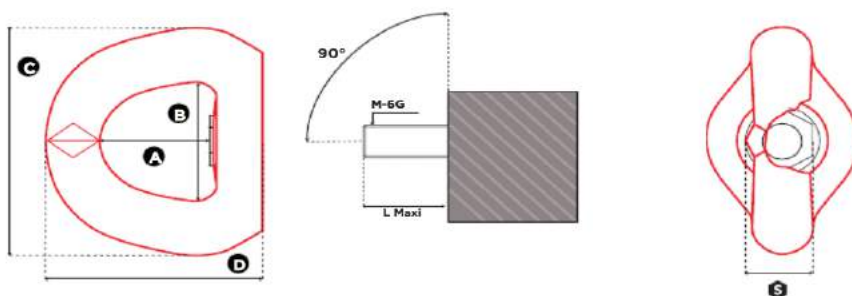
FEMALE SWIVEL EYE BOLT



Oficiální prodejce:

PAVLÍNEK
VÁZACÍ PROSTŘEDKY

Šalounova 746/31 Tel.: +420 595 693 911
703 00 Ostrava - Vítkovice Fax: +420 595 693 958
www.pavlinek.cz E-mail: obchod@pavlinek.cz



1 in = 25.4 mm

Reference	Diameter	SF 5:1 WLL (t)	SF 4:1 WLL (t)	L Maxi (mm)	Torque (Nm)	S (mm)	A (mm)	B (mm)	C (mm)	D (mm)	Weight (kg)
FE.SEB M 8 UP	M 8 (x1,25)	0,40	0,50	22	6	21	38	45	88	80	0,8
FE.SEB M 10 UP	M 10 (x1,5)	0,50	0,70	22	10	21	38	45	88	80	0,8
FE.SEB M 12 UP	M 12 (x1,75)	0,80	0,90	22	15	21	38	45	88	80	0,8
FE.SEB M 16 UP	M 16 (x2)	1,40	1,80	22	50	21	38	45	88	80	0,8
FE.SEB M 20 UP	M 20 (x2,5)	2,00	2,70	35	100	36	55	70	115	106	2,5
FE.SEB M 24 UP	M 24 (x3)	3,40	4,20	48	160	40	77	94	168	155	6,3
FE.SEB M 30 UP	M 30 (x3,5)	5,50	6,30	48	250	40	77	94	168	155	6,3
FE.SEB M 36 UP	M 36 (x4)	9,00	11,00	48	320	40	77	94	168	155	6,3

FE.SEB

GradUp



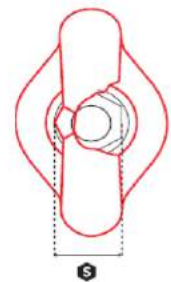
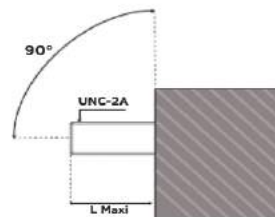
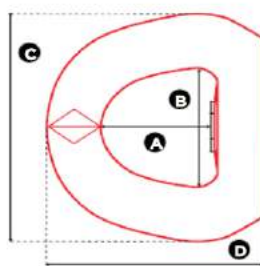
FEMALE SWIVEL EYE BOLT



Oficiální prodejce:

PAVLÍNEK
VÁZACÍ PROSTŘEDKY

Šalounova 746/31 Tel.: +420 595 693 911
703 00 Ostrava - Vítkovice Fax: +420 595 693 958
www.pavlinek.cz E-mail: obchod@pavlinek.cz



1 in = 25.4 mm

Reference	Diameter	SF 5:1 WLL (lbs)	SF 4:1 WLL (lbs)	L Maxi (mm)	Torque (ft-lb)	S (mm)	A (mm)	B (mm)	C (mm)	D (mm)	Weight (kg)
FE.SEB U 038 UP	UNC 3/8"-16	1,200	1,500	22	8	21	38	45	88	80	0,8
FE.SEB U 050 UP	UNC 1/2"-13	1,800	1,950	22	12	21	38	45	88	80	0,8
FE.SEB U 058 UP	UNC 5/8"-11	3,200	4,000	22	40	21	38	45	88	80	0,8
FE.SEB U 075 UP	UNC 3/4"-10	4,750	5,900	35	80	36	55	70	115	106	2,5
FE.SEB U 100 UP	UNC 1"-8	7,500	9,300	48	125	40	77	94	168	155	6,3
FE.SEB U 125 UP	UNC 1" 1/4-7	12,200	13,800	48	200	40	77	94	168	155	6,3

01.2018



www.codipro.net - info@codipro.net

25, Salzbaach - L-9559 WILTZ - Tél : +352 26 81 54 1 - Fax : +352 81 05 17

Oficiální prodejce:

PAVLÍNEK
VÁZACÍ PROSTŘEDKY

Šalounova 746/31
703 00 Ostrava - Vítkovice
www.pavlinek.cz

Tel.: +420 595 693 911
Fak: +420 595 693 958
E-mail: obchod@pavlinek.cz

**STAINLESS
STEEL**

STAINLESS STEEL / ACIER INOXYDABLE / EDELSTAHL / ACERO INOXIDABLE

- SS.DSR
- SS.DSS
- SS.SEB
- SS.FE.DSR
- SS.FE.DSS

www.codipro.net

CODIPRO
LIPA

Oficiální prodejce:



Šalounova 746/31
703 00 Ostrava - Vítkovice
www.pavlinek.cz

Tel.: +420 595 693 911
Fax: +420 595 693 958
E-mail: obchod@pavlinek.cz

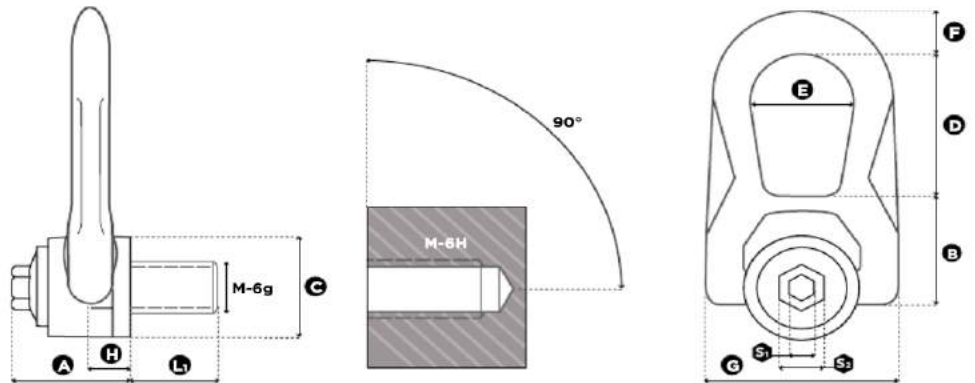


Oficiální prodejce:

PAVLÍNEK
VÁZACÍ PROSTŘEDKY

Šalounova 746/31
703 00 Ostrava - Vítkovice
www.pavlinek.cz

Tel.: +420 595 693 911
Fax: +420 595 693 958
E-mail: obchod@pavlinek.cz



1 in = 25.4 mm

Reference	Diameter	SF 5:1 WLL (t)	SF 4:1 WLL (t)	Standard L ₁ (mm)	Torque (Nm)	S ₁ (mm)	S ₂ (mm)	A (mm)	B (mm)	C (mm)	D (mm)	E (mm)	F (mm)	G (mm)	H (mm)	Weight (kg)
SS.DSR M 6	M 6 (x1)	0,10	0,15	15	4	8	16	32	30	30	39	28	13	53	9,5	0,3
SS.DSR M 8	M 8 (x1,25)	0,30	0,30	16	6	8	16	32	30	30	39	28	13	53	9,5	0,3
SS.DSR M 10	M 10 (x1,50)	0,50	0,50	16	10	8	16	32	30	30	39	28	13	53	9,5	0,3
SS.DSR M 12	M 12 (x1,75)	0,80	0,80	19	15	8	16	32	30	30	39	28	13	53	9,5	0,3
SS.DSR M 14	M 14 (x2)	1,00	1,00	29	30	8	20	44	40	45	53	38	17	76	13	0,9
SS.DSR M 16	M 16 (x2)	1,40	1,50	26	50	8	20	44	40	45	53	38	17	76	13	0,9
SS.DSR M 18	M 18 (x2,5)	1,40	1,50	30	70	8	20	44	40	45	53	38	17	76	13	1,0
SS.DSR M 20	M 20 (x2,5)	1,40	1,60	30	100	8	20	44	40	45	53	38	17	76	13	1,0
SS.DSR M 22	M 22 (x2,5)	2,20	2,20	42	120	14	24	62	55	58	83	56	25	115	19	2,5
SS.DSR M 24	M 24 (x3)	2,70	2,70	42	160	14	24	62	55	58	83	56	25	115	19	2,6
SS.DSR M 27	M 27 (x3)	2,80	2,90	42	200	14	24	62	55	58	83	56	25	115	19	2,7
SS.DSR M 30	M 30 (x3,5)	3,00	3,50	47	250	14	24	62	55	58	83	56	25	115	19	2,8

SS.DSR

STAINLESS STEEL DOUBLE SWIVEL RING

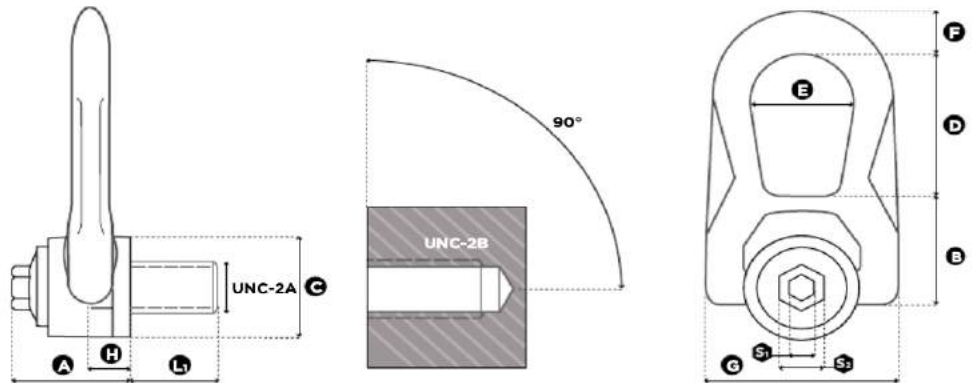
UNC THREADS



Oficiální prodejce:

PAVLÍNEK
VÁZACÍ PROSTŘEDKY

Šalounova 746/31
703 00 Ostrava - Vítkovice
www.pavlinek.cz
Tel.: +420 595 693 911
Fax: +420 595 693 958
E-mail: obchod@pavlinek.cz



1 in = 25.4 mm

Reference	Diameter	SF 5:1 WLL (lbs)	SF 4:1 WLL (lbs)	Standard L ₁ (mm)	Torque (ft-lb)	S ₁ (mm)	S ₂ (mm)	A (mm)	B (mm)	C (mm)	D (mm)	E (mm)	F (mm)	G (mm)	H (mm)	Weight (kg)
SS.DSR U 025	UNC 1/4"-20	400	500	13	3	8	16	32	30	30	39	28	13	53	9,5	0,3
SS.DSR U 516	UNC 5/16"-18	600	650	15	5	8	16	32	30	30	39	28	13	53	9,5	0,3
SS.DSR U 038	UNC 3/8"-16	1,000	1,000	17	8	8	16	32	30	30	39	28	13	53	9,5	0,3
SS.DSR U 050	UNC 1/2"-13	1,800	1,850	21	12	8	16	32	30	30	39	28	13	53	9,5	0,3
SS.DSR U 058	UNC 5/8"-11	2,500	3,000	27	40	8	20	44	40	45	53	38	17	76	13	0,9
SS.DSR U 075	UNC 3/4"-10	3,600	3,800	30	80	8	20	44	40	45	53	38	17	76	13	0,9
SS.DSR U 078	UNC 7/8"-9	5,000	5,100	33	90	14	24	62	55	58	83	56	25	115	19	2,5
SS.DSR U 100	UNC 1"-8	6,000	6,000	36	125	14	24	62	55	58	83	56	25	115	19	2,6

SS.DSS

STAINLESS STEEL DOUBLE SWIVEL SHACKLE

METRIC THREADS

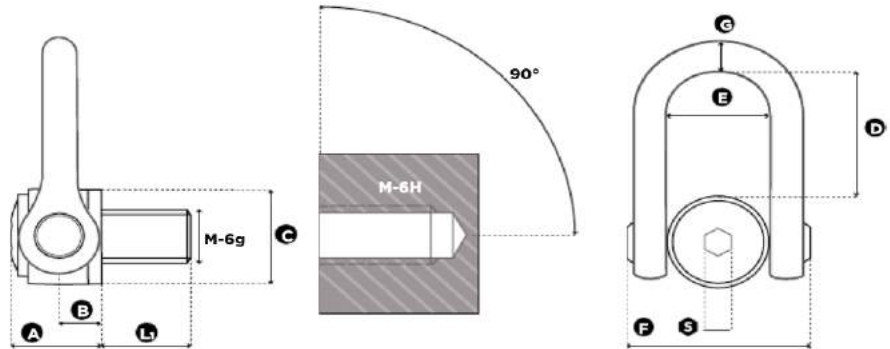


Oficiální prodejce:

PAVLÍNEK
VÁZACÍ PROSTŘEDKY

Šatounova 746/31
703 00 Ostrava - Vítkovice
www.pavlinek.cz

Tel.: +420 595 693 911
Fax: +420 595 693 958
E-mail: obchod@pavlinek.cz



1 in = 25.4 mm

Reference	Diameter	SF 5:1 WLL (t)	SF 4:1 WLL (t)	Standard L ₁ (mm)	Torque (Nm)	S (mm)	A (mm)	B (mm)	C (mm)	D (mm)	E (mm)	F (mm)	G (mm)	Weight (kg)
SS.DSS M 24	M 24 (x3)	2,70	2,70*	36	160	19	61	31	70	104	73	149	30	5,2
SS.DSS M 30	M 30 (x3,5)	3,50	3,50*	45	250	19	61	31	70	104	73	149	30	5,2
SS.DSS M 33	M 33 (x3,5)	3,50	3,50*	50	250	19	61	31	70	104	73	149	30	5,2
SS.DSS M 36	M 36 (x4)	5,00	5,00*	54	320	19	61	31	70	104	73	149	30	5,2
SS.DSS M 36x3	M 36 (x3)	5,00	5,00*	54	320	19	61	31	70	104	73	149	30	5,2
SS.DSS M 39	M 39 (x4)	5,00	5,00*	54	320	19	61	31	70	104	73	149	30	5,4
SS.DSS M 42	M 42 (x4,5)	6,00	6,00*	63	400	19	61	31	70	104	73	149	30	5,4
SS.DSS M 42x3	M 42 (x3)	6,00	6,00*	63	400	19	61	31	70	104	73	149	30	5,4
SS.DSS M 45	M 45 (x4,5)	/ *	6,00	63	400	19	61	31	70	104	73	149	30	5,7
SS.DSS M 48	M 48 (x5)	/ *	6,40	68	600	19	79	38	90	125	91	182	41	11,0
SS.DSS M 48x3	M 48 (x3)	/ *	6,40	68	600	19	79	38	90	125	91	182	41	11,0
SS.DSS M 48x4	M 48 (x4)	/ *	6,40	68	600	19	79	38	90	125	91	182	41	11,0
SS.DSS M 52	M 52 (x5)	/ *	6,40	68	600	19	79	38	90	125	91	182	41	12,2
SS.DSS M 56	M 56 (x5,5)	/ *	8,00	78	600	19	79	38	90	125	91	182	41	11,3
SS.DSS M 56x4	M 56 (x4)	/ *	8,00	78	600	19	79	38	90	125	91	182	41	11,4

* In certification process / En cours d'homologation / In Entwicklungsphase / En proceso de homologación

01.2018



www.codipro.net - info@codipro.net

25, Salzbaach - L-9559 WILTZ - Tél : +352 26 81 54 1 - Fax : +352 81 05 17

SS.DSS

STAINLESS STEEL DOUBLE SWIVEL SHACKLE

UNC THREADS

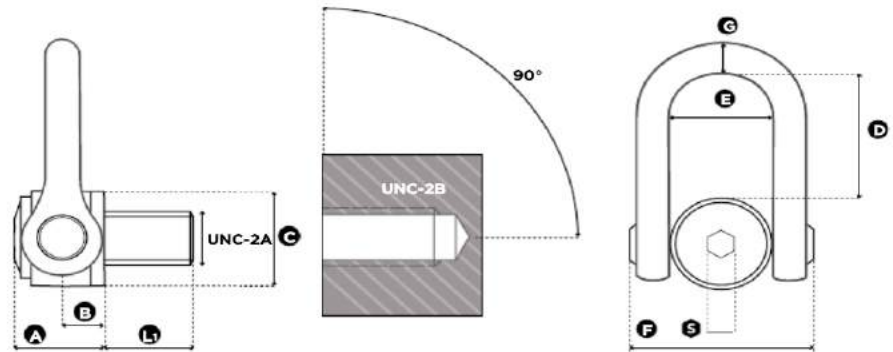


Oficiální prodejce:

PAVLÍNEK
VÁZACÍ PROSTŘEDKY

Šalounova 746/31
703 00 Ostrava - Vítkovice
www.pavlinek.cz

Tel.: +420 595 693 911
Fax: +420 595 693 958
E-mail: obchod@pavlinek.cz



1 in = 25.4 mm

Reference	Diameter	SF 5:1 WLL (lbs)	SF 4:1 WLL (lbs)	Standard L ₁ (mm)	Torque (ft-lb)	S (mm)	A (mm)	B (mm)	C (mm)	D (mm)	E (mm)	F (mm)	G (mm)	Weight (kg)
SS.DSS U 100	UNC 1"-8	6,000	6,000*	40	125	3/4"	61	31	70	104	73	149	30	5,2
SS.DSS U 125	UNC 1" 1/4-7	7,500	7,500*	45	200	3/4"	61	31	70	104	73	149	30	5,2
SS.DSS U 138	UNC 1" 3/8-6	7,500	7,500*	54	240	3/4"	61	31	70	104	73	149	30	5,2
SS.DSS U 150	UNC 1" 1/2-6	11,000	11,000*	61	240	3/4"	61	31	70	104	73	149	30	5,4
SS.DSS U 200	UNC 2" 4,5	/ *	14,000	76	450	3/4"	79	38	90	125	91	182	41	11,1

* In certification process / En cours d'homologation / In Entwicklungsphase / En proceso de homologación

01.2018



www.codipro.net - info@codipro.net

25, Salzbaach - L-9559 WILTZ - Tél : +352 26 81 54 1 - Fax : +352 81 05 17

SS.SEB

STAINLESS STEEL SWIVEL EYE BOLT

METRIC THREADS

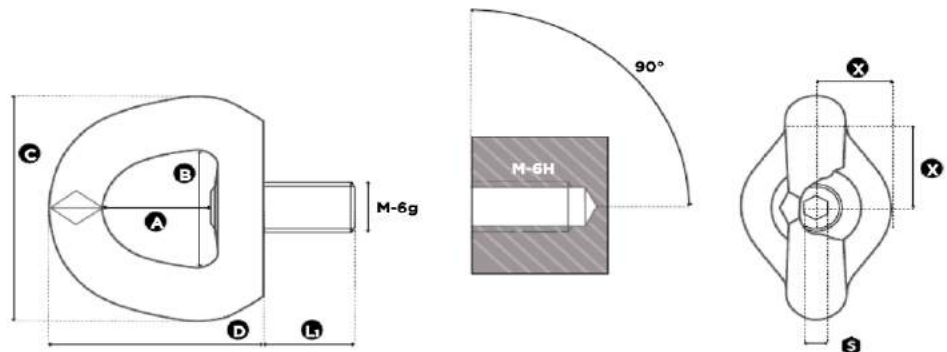


Oficiální prodejce:

PAVLÍNEK
VÁZACÍ PROSTŘEDKY

Šalounova 746/31
703 00 Ostrava - Vítkovice
www.pavlinek.cz

Tel.: +420 595 693 911
Fax: +420 595 693 958
E-mail: obchod@pavlinek.cz



1 in = 25.4 mm

Reference	Diameter	SF 5:1 WLL (t)	SF 4:1 WLL (t)	Standard L ₁ (mm)	Torque (Nm)		S (mm)	A (mm)	B (mm)	C (mm)	D (mm)	Weight (kg)
SS.SEB M 12	M 12 (x1,75)	0,55	0,55*	21	15	20	8	38	45	90	80	0,80
SS.SEB M 16	M 16 (x2)	1,20	1,20*	27	50	35	8	38	45	90	80	0,82
SS.SEB M 20	M 20 (x2,5)	1,50	1,50*	30	100	35	8	38	45	90	80	0,84
SS.SEB M 24	M 24 (x3)	2,50	2,50*	36	100	50	8	38	45	90	80	0,90

* In certification process / En cours d'homologation / In Entwicklungsphase / En proceso de homologación

Oficiální prodejce:



Šalounova 746/31
703 00 Ostrava - Vítkovice
www.pavlinek.cz

Tel.: +420 595 693 911
Fax: +420 595 693 958
E-mail: obchod@pavlinek.cz

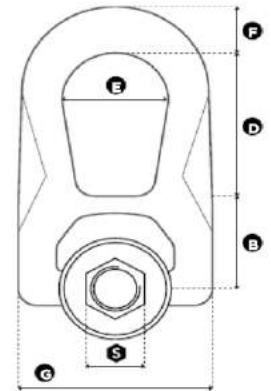
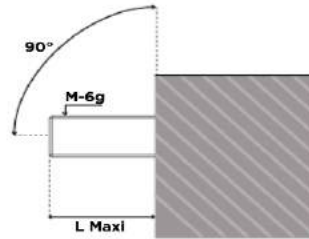
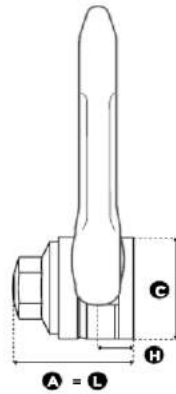


Oficiální prodejce:

PAVLÍNEK
VÁZACÍ PROSTŘEDKY

Šalounova 746/31
703 00 Ostrava - Vítkovice
www.pavlinek.cz

Tel.: +420 595 693 911
Fax: +420 595 693 958
E-mail: obchod@pavlinek.cz



1 in = 25.4 mm

Reference	Diameter	SF 5:1 WLL (t)	SF 4:1 WLL (t)	L Maxi (mm)	Torque (Nm)	S (mm)	A (mm)	B (mm)	C (mm)	D (mm)	E (mm)	F (mm)	G (mm)	H (mm)	Weight (kg)
SS.FE.DSR M 8	M 8 (x1,25)	0,30	0,30	43	6	20	43	40	45	53	38	17	76	13	0,9
SS.FE.DSR M 10	M 10 (x1,50)	0,50	0,50	43	10	20	43	40	45	53	38	17	76	13	0,9
SS.FE.DSR M 12	M 12 (x1,75)	0,80	0,80	43	15	20	43	40	45	53	38	17	76	13	0,9
SS.FE.DSR M 14	M 14 (x2)	1,00	1,00	43	30	20	43	40	45	53	38	17	76	13	0,9
SS.FE.DSR M 16	M 16 (x2)	1,40	1,50	43	50	20	43	40	45	53	38	17	76	13	0,9
SS.FE.DSR M 18	M 18 (x2,5)	1,40	1,50	62	70	24	62	55	58	83	56	25	115	19	2,6
SS.FE.DSR M 20	M 20 (x2,5)	1,40	1,60	62	100	24	62	55	58	83	56	25	115	19	2,6
SS.FE.DSR M 22	M 22 (x2,5)	2,20	2,20	62	120	24	62	55	58	83	56	25	115	19	2,6

SS.FE.DSR

STAINLESS STEEL FEMALE DOUBLE SWIVEL RING

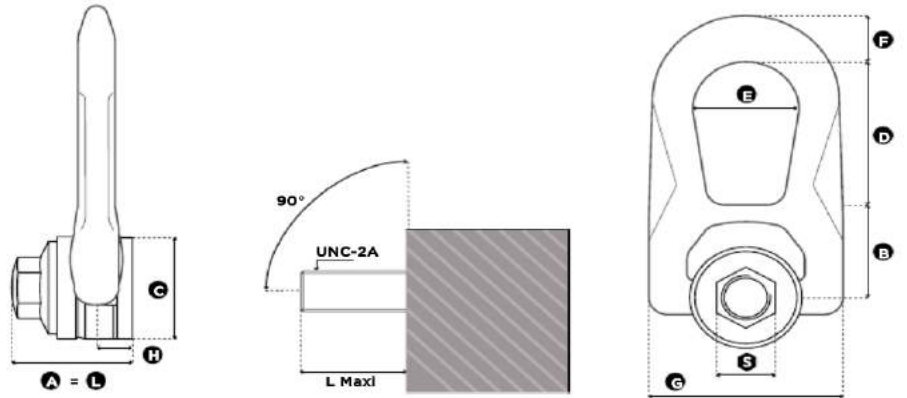
UNC THREADS



Oficiální prodejce:

PAVLÍNEK
VÁZACÍ PROSTŘEDKY

Šalounova 746/31 Tel.: +420 595 693 911
703 00 Ostrava - Vítkovice Fax: +420 595 693 958
www.pavlinek.cz E-mail: obchod@pavlinek.cz



1 in = 25.4 mm

Reference	Diameter	SF 5:1 WLL (lbs)	SF 4:1 WLL (lbs)	L Maxi (mm)	Torque (ft-lb)	S (mm)	A (mm)	B (mm)	C (mm)	D (mm)	E (mm)	F (mm)	G (mm)	H (mm)	Weight (kg)
SS.FE.DSR U 516	UNC 5/16"-18	600	650	43	5	20	43	40	45	53	38	17	76	13	0,9
SS.FE.DSR U 038	UNC 3/8"-16	1,000	1,000	43	8	20	43	40	45	53	38	17	76	13	0,9
SS.FE.DSR U 050	UNC 1/2"-13	1,800	1,800	43	12	20	43	40	45	53	38	17	76	13	0,9
SS.FEDSR U 058	UNC 5/8"-11	2,500	3,000	43	40	20	43	40	45	53	38	17	76	13	0,9
SS.FE.DSR U 075	UNC 3/4"-10	3,600	3,800	62	80	24	62	55	58	83	56	25	115	19	2,6
SS.FE.DSR U 078	UNC 7/8"-9	5,000	5,100	62	90	24	62	55	58	83	56	25	115	19	2,6

01.2018



www.codipro.net - info@codipro.net

25, Salzbaach - L-9559 WILTZ - Tél : +352 26 81 54 1 - Fax : +352 81 05 17

SS.FE.DSS

STAINLESS STEEL FEMALE DOUBLE SWIVEL SHACKLE

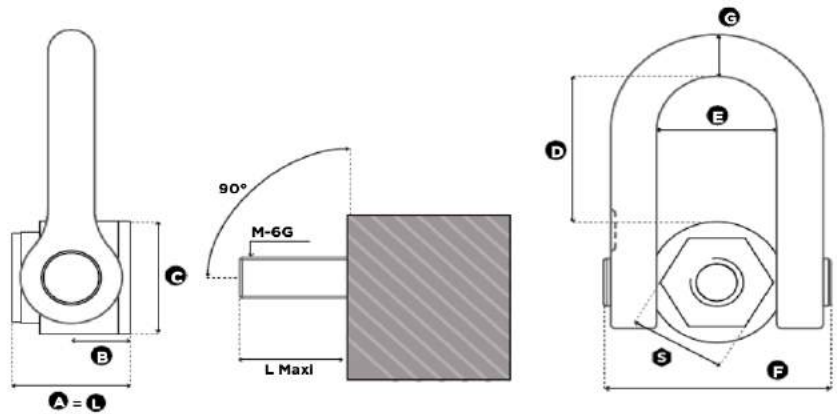
METRIC THREADS



Oficiální prodejce:

PAVLÍNEK
VÁZACÍ PROSTŘEDKY

Šalounova 746/31
703 00 Ostrava - Vítkovice
www.pavlinek.cz
Tel: +420 595 693 911
Fax: +420 595 693 958
E-mail: obchod@pavlinek.cz



1 in = 25.4 mm

Reference	Diameter	SF 5:1 WLL (t)	SF 4:1 WLL (t)	L Maxi (mm)	Torque (Nm)	S (mm)	A (mm)	B (mm)	C (mm)	D (mm)	E (mm)	F (mm)	G (mm)	Weight (kg)
SS.FE.DSS M 24	M 24 (x3)	2,70	2,70*	66	160	50	66	31	70	104	73	149	30	5,8
SS.FE.DSS M 30	M 30 (x3,5)	3,50	3,50*	66	250	50	66	31	70	104	73	149	30	5,8
SS.FE.DSS M 33	M 33 (x3,5)	3,50	3,50*	66	250	50	66	31	70	104	73	149	30	5,8
SS.FE.DSS M 36	M 36 (x4)	5,00	5,00*	66	320	50	66	31	70	104	73	149	30	5,8

* In certification process / En cours d'homologation / In Entwicklungsphase / En proceso de homologación

SS.FE.DSS

STAINLESS STEEL FEMALE DOUBLE SWIVEL SHACKLE

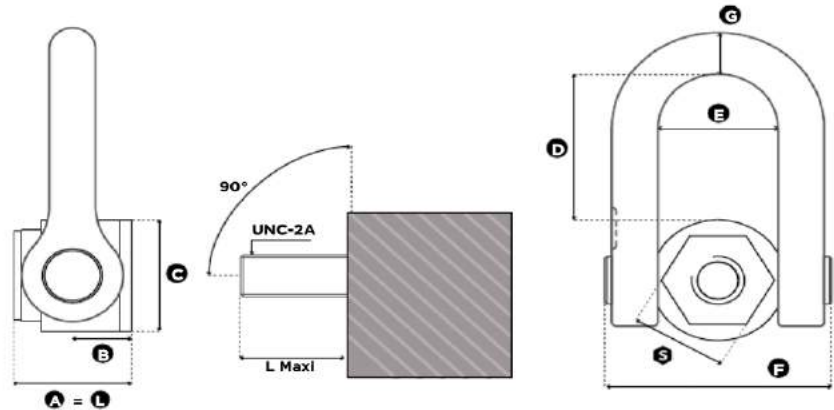
UNC THREADS



Oficiální prodejce:

PAVLÍNEK
VÁZACÍ PROSTŘEDKY

Šalounova 746/31 Tel.: +420 595 693 911
703 00 Ostrava - Vítkovice Fax: +420 595 693 958
www.pavlinek.cz E-mail: obchod@pavlinek.cz



1 in = 25.4 mm

Reference	Diameter	SF 5:1 WLL (lbs)	SF 4:1 WLL (lbs)	L Maxi (mm)	Torque (Nm)	S (mm)	A (mm)	B (mm)	C (mm)	D (mm)	E (mm)	F (mm)	G (mm)	Weight (kg)
SS.FE.DSS U 100	UNC 1"-8	6,000	6,000*	66	125	50	66	31	70	104	73	149	30	5,4
SS.FE.DSS U 125	UNC 1" 1/4-7	7,500	7,500*	66	200	50	66	31	70	104	73	149	30	5,4
SS.FE.DSS U 138	UNC 1" 3/8-6	7,500	7,500*	66	240	50	66	31	70	104	73	149	30	5,4
SS.FE.DSS U 150	UNC 1" 1/2-6	11,000	11,000*	89	240	60	89	38	95	125	91	182	41	12,0

* In certification process / En cours d'homologation / In Entwicklungsphase / En proceso de homologación

01.2018



www.codipro.net - info@codipro.net

25, Salzbaach - L-9559 WILTZ - Tél : +352 26 81 54 1 - Fax : +352 81 05 17

Oфициální prodejce:

PAVLÍNEK
VÁZACÍ PROSTŘEDKY

Šalounova 746/31
703 00 Ostrava - Vítkovice
www.pavlinek.cz

Tel.: +420 595 693 911
Fax: +420 595 693 958
E-mail: obchod@pavlinek.cz

SPECIAL LIFTING
SOLUTIONS

SPECIAL LIFTING SOLUTIONS

- DSP
- DSH
- TSR
- CSS
- SLM
- WE.DSR / WE.DSS
- PE.SEB / SS.PE.SEB
- ADA

www.codipro.net


CODIPRO
LIPA

Oficiální prodejce:



Šalounova 746/31
703 00 Ostrava - Vítkovice
www.pavlinek.cz

Tel.: +420 595 693 911
Fax: +420 595 693 958
E-mail: obchod@pavlinek.cz

DSP

METRIC THREADS

DOUBLE SWIVEL LIFTING POINT

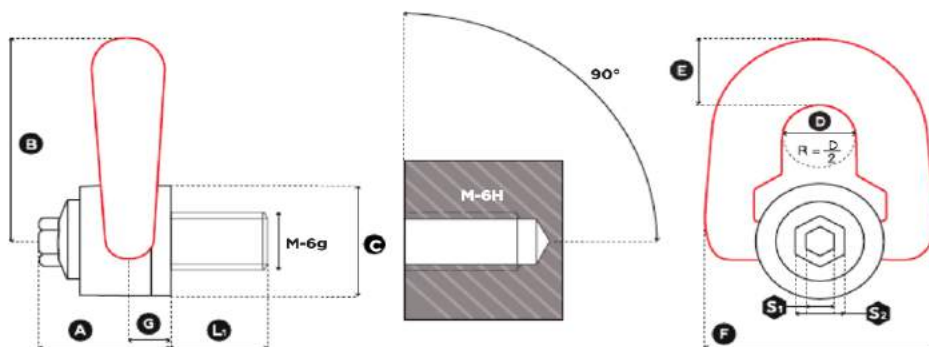


Oficiální prodejce:

PAVLÍNEK
VÁZACÍ PROSTŘEDKY

Šalounova 746/31
703 00 Ostrava - Vítkovice
www.pavlinek.cz

Tel.: +420 595 693 911
Fax: +420 595 693 958
E-mail: obchod@pavlinek.cz



1 in = 25.4 mm

Reference	Diameter	SF 5:1 WLL (t)	Standard L ₁ (mm)	Torque (Nm)	S ₁ (mm)	S ₂ (mm)	A (mm)	B (mm)	C (mm)	D (mm)	E (mm)	F (mm)	G (mm)	Weight (kg)
DSP M 8	M 8 (x1,25)	0,30	14	6	8	16	33	56	30	19	19	58	9,5	0,3
DSP M 10	M 10 (x1,50)	0,60	17	10	8	16	33	56	30	19	19	58	9,5	0,3
DSP M 12	M 12 (x1,75)	1,00	21	15	8	16	33	56	30	19	19	58	9,5	0,3
DSP M 14	M 14 (x2)	1,30	23	30	8	20	45	81	45	25	27	79	13	0,9
DSP M 16	M 16 (x2)	1,60	27	50	8	20	45	81	45	25	27	79	13	0,9
DSP M 18	M 18 (x2,5)	2,00	27	70	8	20	45	81	45	25	27	79	13	1,0
DSP M 20	M 20 (x2,5)	2,50	30	100	8	20	45	81	45	25	27	79	13	1,0

DSP

UNC THREADS

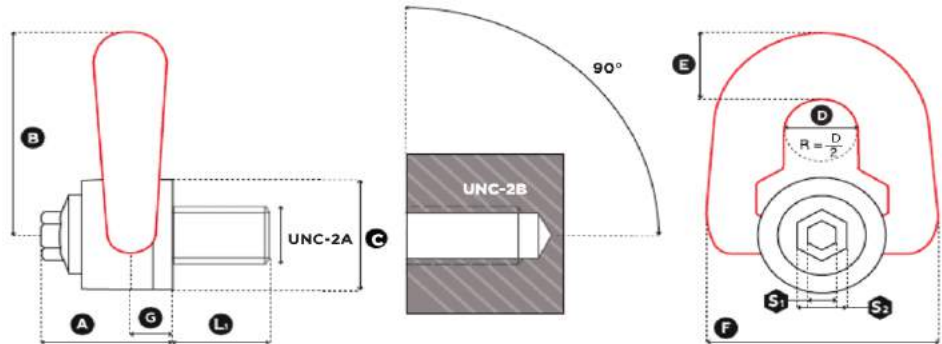
DOUBLE SWIVEL LIFTING POINT



Oficiální prodejce:

PAVLÍNEK
VÁZACÍ PROSTŘEDKY

Šalounova 746/31 Tel.: +420 595 693 911
703 00 Ostrava - Vítkovice Fax: +420 595 693 958
www.pavlinek.cz E-mail: obchod@pavlinek.cz



1 in = 25.4 mm

Reference	Diameter	SF 5:1 WLL (lbs)	Standard L ₁ (mm)	Torque (ft-lb)	S ₁ (mm)	S ₂ (mm)	A (mm)	B (mm)	C (mm)	D (mm)	E (mm)	F (mm)	G (mm)	Weight (kg)
DSP U 516	UNC 5/16"-18	650	15	7	8	16	33	56	30	19	19	58	9,5	0,3
DSP U 038	UNC 3/8"-16	1,200	17	8	8	16	33	56	30	19	19	58	9,5	0,3
DSP U 050	UNC 1/2"-13	2,200	21	12	8	16	33	56	30	19	19	58	9,5	0,3
DSP U 058	UNC 5/8"-11	3,800	27	40	8	16	45	81	45	25	27	79	13,0	1,0
DSP U 075	UNC 3/4"-10	5,500	30	80	8	16	45	81	45	25	27	79	13,0	1,0

DSH

METRIC THREADS

DOUBLE SWIVEL HOOK

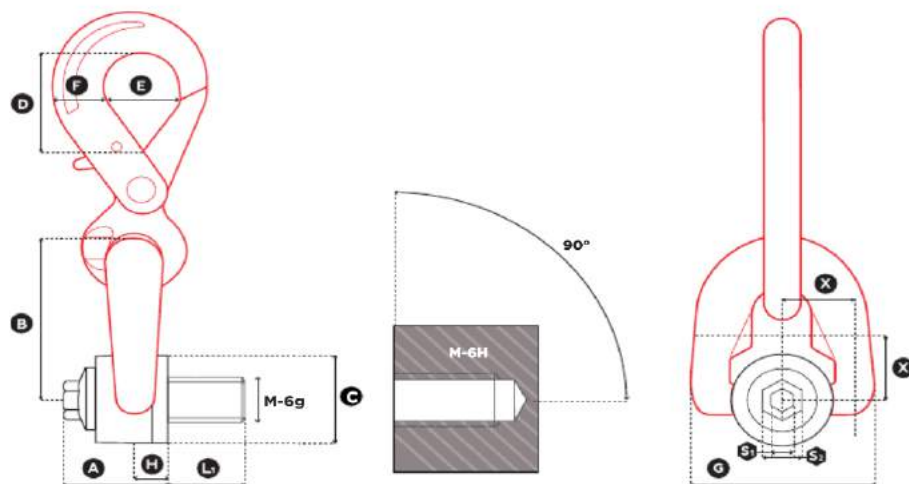


Oficiální prodejce:

PAVLÍNEK
VÁZACÍ PROSTŘEDKY

Šalounova 746/31
703 00 Ostrava - Vítkovice
www.pavlinek.cz

Tel.: +420 595 693 911
Fax: +420 595 693 958
E-mail: obchod@pavlinek.cz



1 in = 25.4 mm

Reference	Diameter	SF 5:1 WLL (t)	Standard L ₁ (mm)	Torque (Nm)	X	S ₁ (mm)	S ₂ (mm)	A (mm)	B (mm)	C (mm)	D (mm)	E (mm)	F (mm)	G (mm)	H (mm)	Weight (kg)
DSH M 8	M 8 (x1,25)	0,30	14	6	18	8	16	33	56	30	44	32	23	58	9,5	0,8
DSH M 10	M 10 (x1,50)	0,60	17	10	18	8	16	33	56	30	44	32	23	58	9,5	0,8
DSH M 12	M 12 (x1,75)	1,00	21	15	18	8	16	33	56	30	44	32	23	58	9,5	0,8
DSH M 14	M 14 (x2)	1,30	23	30	24	8	20	45	81	45	65	46	29	79	13,0	1,9
DSH M 16	M 16 (x2)	1,60	27	50	24	8	20	45	81	45	65	46	29	79	13,0	2,0
DSH M 18	M 18 (x2,5)	2,00	27	70	24	8	20	45	81	45	65	46	29	79	13,0	2,0
DSH M 20	M 20 (x2,5)	2,50	30	100	24	8	20	45	81	45	65	46	29	79	13,0	2,0

DSH

UNC THREADS

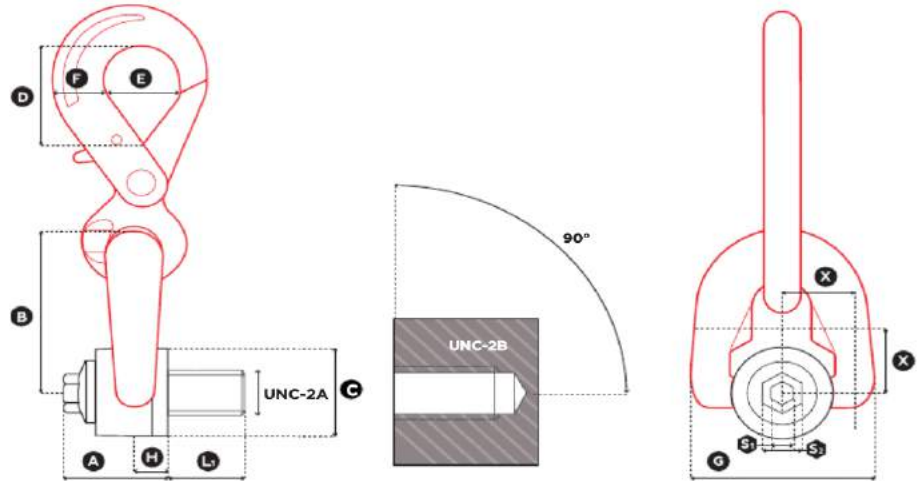
DOUBLE SWIVEL HOOK



Oficiální prodejce:

PAVLÍNEK
VÁZACÍ PROSTŘEDKY

Salounova 746/31 Tel.: +420 595 693 911
703 00 Ostrava - Vítkovice Fax: +420 595 693 958
www.pavlinek.cz E-mail: obchod@pavlinek.cz



1 in = 25.4 mm

Reference	Diameter	SF 5:1 WLL (lbs)	Standard L ₁ (mm)	Torque (ft-lb)	X	S ₁ (mm)	S ₂ (mm)	A (mm)	B (mm)	C (mm)	D (mm)	E (mm)	F (mm)	G (mm)	H (mm)	Weight (kg)
DSH U 516	UNC 5/16"-18	650	15	7	18	8	16	33	56	30	44	32	23	58	9,5	0,8
DSH U 038	UNC 3/8"-16	1,200	17	8	18	8	16	33	56	30	44	32	23	58	9,5	0,8
DSH U 050	UNC 1/2"-13	2,200	21	12	18	8	16	33	56	30	44	32	23	58	9,5	0,8
DSH U 058	UNC 5/8"-11	3,800	27	40	24	8	20	45	81	45	58	46	29	79	13,0	1,9
DSH U 075	UNC 3/4"-10	5,500	30	80	24	8	20	45	81	45	58	46	29	79	13,0	2,0

01.2018

TSR

METRIC THREADS

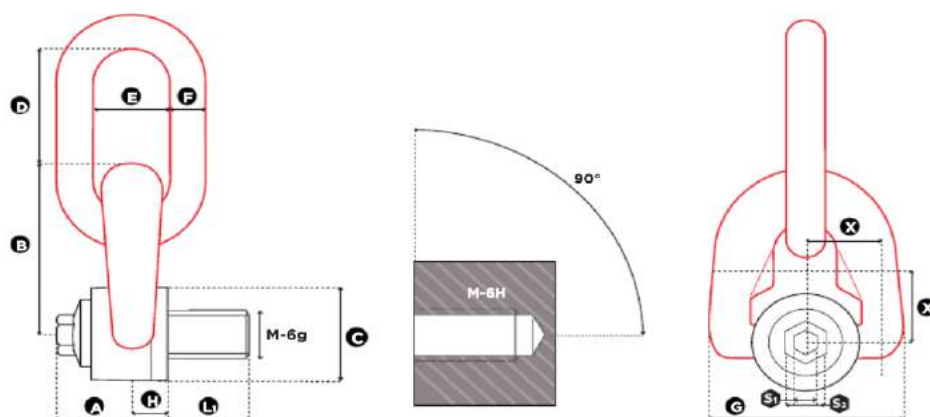
TRIPLE SWIVEL RING



Oficiální prodejce:

PAVLÍNEK
VÁZACÍ PROSTŘEDKY

Šalounova 746/31 Tel.: +420 595 693 911
703 00 Ostrava - Vítkovice Fax: +420 595 693 958
www.pavlinek.cz E-mail: obchod@pavlinek.cz



1 in = 25.4 mm

Reference	Diameter	SF 5:1 WLL (t)	Standard L ₁ (mm)	Torque (Nm)		S ₁ (mm)	S ₂ (mm)	A (mm)	B (mm)	C (mm)	D (mm)	E (mm)	F (mm)	G (mm)	H (mm)	Weight (kg)
TSR M 8	M 8 (x1,25)	0,30	14	6	18	8	16	33	56	30	41	25	10	58	9,5	0,4
TSR M 10	M 10 (x1,50)	0,60	17	10	18	8	16	33	56	30	41	25	10	58	9,5	0,4
TSR M 12	M 12 (x1,75)	1,00	21	15	18	8	16	33	56	30	41	25	10	58	9,5	0,4
TSR M 14	M 14 (x2)	1,30	23	30	24	8	20	45	81	45	56	37	14	79	13,0	1,1
TSR M 16	M 16 (x2)	1,60	27	50	24	8	20	45	81	45	56	37	14	79	13,0	1,2
TSR M 18	M 18 (x2,5)	2,00	27	70	24	8	20	45	81	45	56	37	14	79	13,0	1,2
TSR M 20	M 20 (x2,5)	2,50	30	100	24	8	20	45	81	45	56	37	14	79	13,0	1,2
TSR M 22	M 22 (x2,5)	3,00	33	120	45	14	24	62	105	60	80	45	20	106	19,0	2,8
TSR M 24	M 24 (x3)	4,00	36	160	45	14	24	62	105	60	80	45	20	106	19,0	2,9
TSR M 27	M 27 (x3)	5,00	36	200	45	14	24	62	105	60	80	45	20	106	19,0	2,9
TSR M 30	M 30 (x3,5)	6,30	45	250	45	14	24	62	105	60	80	45	20	106	19,0	3,0
TSR M 36	M 36 (x4)	10,00	54	320	54	19	30	81	140	80	111	71	30	148	26,5	7,6
TSR M 42	M 42 (x4,5)	12,50	63	400	58	19	30	84	146	80	111	71	30	148	26,5	7,8

Reference	Diameter	SF 4:1 WLL (t)	Standard L ₁ (mm)	Torque (Nm)		S ₁ (mm)	S ₂ (mm)	A (mm)	B (mm)	C (mm)	D (mm)	E (mm)	F (mm)	G (mm)	H (mm)	Weight (kg)
TSR M 48	M 48 (x5)	20,00	68	600	69	19	30	100	178	110	135	90	42	180	33,0	17,5
TSR M 56	M 56 (x5,5)	22,00	78	600	73	19	30	104	184	110	135	90	42	190	33,0	18,0

01.2018



www.codipro.net - info@codipro.net
25, Salzbaach - L-9559 WILTZ - Tél : +352 26 81 54 1 - Fax : +352 81 05 17

TSR

UNC THREADS

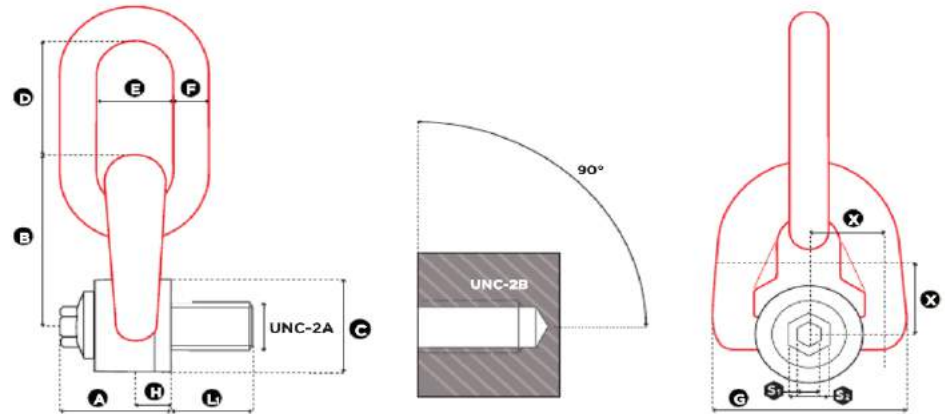
TRIPLE SWIVEL RING



Oficiální prodejce:

PAVLÍNEK
VÁZACÍ PROSTŘEDKY

Šalounova 746/31 Tel.: +420 595 693 911
703 00 Ostrava - Vítkovice Fax: +420 595 693 958
www.pavlinek.cz E-mail: obchod@pavlinek.cz



1 in = 25.4 mm

Reference	Diameter	SF 5:1 WLL (lbs)	Standard L ₁ (mm)	Torque (ft-lb)		S ₁ (mm)	S ₂ (mm)	A (mm)	B (mm)	C (mm)	D (mm)	E (mm)	F (mm)	G (mm)	H (mm)	Weight (kg)
TSR U 516	UNC 5/16"-18	650	15	7	18	8	16	33	56	30	41	25	10	58	9,5	0,4
TSR U 038	UNC 3/8"-16	1,200	17	8	18	8	16	33	56	30	41	25	10	58	9,5	0,4
TSR U 050	UNC 1/2"-13	2,200	21	12	18	8	16	33	56	30	41	25	10	58	9,5	0,4
TSR U 058	UNC 5/8"-11	3,800	27	40	24	8	20	45	81	45	56	37	14	79	13,0	1,1
TSR U 075	UNC 3/4"-10	5,500	30	80	24	8	20	45	81	45	56	37	14	79	13,0	1,2
TSR U 078	UNC 7/8"-9	6,600	33	90	41	14	24	62	84	60	80	45	20	106	19,0	2,7
TSR U 100	UNC 1"-8	10,000	36	125	41	14	24	62	84	60	80	45	20	106	19,0	2,8
TSR U 125	UNC 1" 1/4-7	14,000	46	200	41	14	24	84	146	80	111	71	30	106	26,5	7,1
TSR U 150	UNC 1" 1/2-6	20,000	61	240	54	19	30	84	146	80	111	71	30	148	26,5	7,7

1 in = 25.4 mm

Reference	Diameter	SF 4:1 WLL (lbs)	Standard L ₁ (mm)	Torque (Nm)		S ₁ (mm)	S ₂ (mm)	A (mm)	B (mm)	C (mm)	D (mm)	E (mm)	F (mm)	G (mm)	H (mm)	Weight (kg)
TSR U 200	UNC 2" 4,5	50,000	76	450	66	19	30	104	184	110	135	90	42	190	33,0	17,7

01.2018

CSS

METRIC THREADS

CENTRAL SAFETY SHACKLE



Oficiální prodejce:

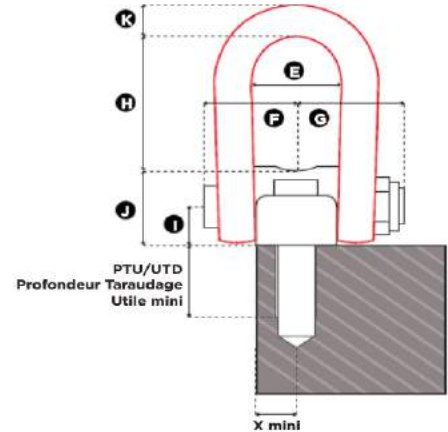
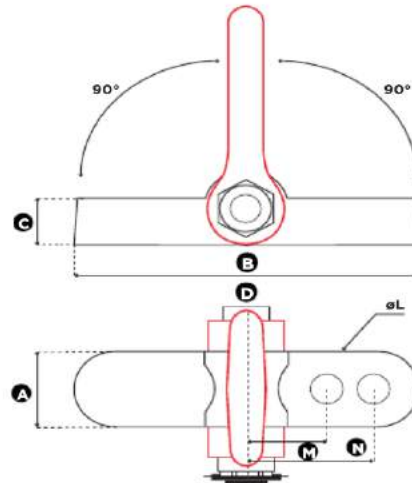
PAVLÍNEK
VÁZACÍ PROSTŘEDKY

Šalounova 746/31
703 00 Ostrava - Vítkovice
www.pavlinek.cz

Tel.: +420 595 693 911
Fax: +420 595 693 958
E-mail: obchod@pavlinek.cz



Lifting	0 - 90°
Levage	0 - 90°
Hebung	0 - 90°
Elevación	0 - 90°



1 in = 25.4 mm

Reference	SF 4:1 WLL (t)	X mini	A (mm)	B (mm)	C (mm)	D (mm)	E (mm)	F (mm)	G (mm)	H (mm)	I (mm)	J (mm)	K (mm)	Weight (kg)
CSS 20	20	40	80	220	50	62	90	88	98	132	38	76	41,0	12,7
CSS 32	32	40	80	330	50	62	90	88	98	132	38	76	41,0	16,7
CSS 55	55	53	105	540	85	191	184	160	170	267	85	175	79,5	90,0

Drilling and fastening by screws DIN 912-12.9 / Perçage et fixation par vis DIN 912-12.9 / Bohrung und Montage mit Schrauben DIN 912-12.9 / Taladro y fijación por DIN 912-12.9

1 in = 25.4 mm

Reference	Drilling/Perçage/ Bohrung/Taladro			PTU/ UTD	Screw/Vis/Schraube/Tornillo					
	Ø L	M (mm)	N (mm)		Useful Minimum Thread Depth (mm)	Quantity Quantité Menge Cantidad	Model Modèle Modell Modelo	Length Longueur Länge Longitud (mm)	Head / Tête / Schraubenkopf / Encima	
								Diam (mm)	Height / Hauteur / Höhe / Altura (mm)	
CSS 20	38	70	/	54	2	M36	100	54	36	600
CSS 32	38	70	130	54	4	M36	100	54	36	600
CSS 55	50	133	210	85	4	M48	160	72	48	600

01.2018

Oficiální prodejce:



Šalounova 746/31
703 00 Ostrava - Vítkovice
www.pavlinek.cz

Tel.: +420 595 693 911
Fax: +420 595 693 958
E-mail: obchod@pavlinek.cz

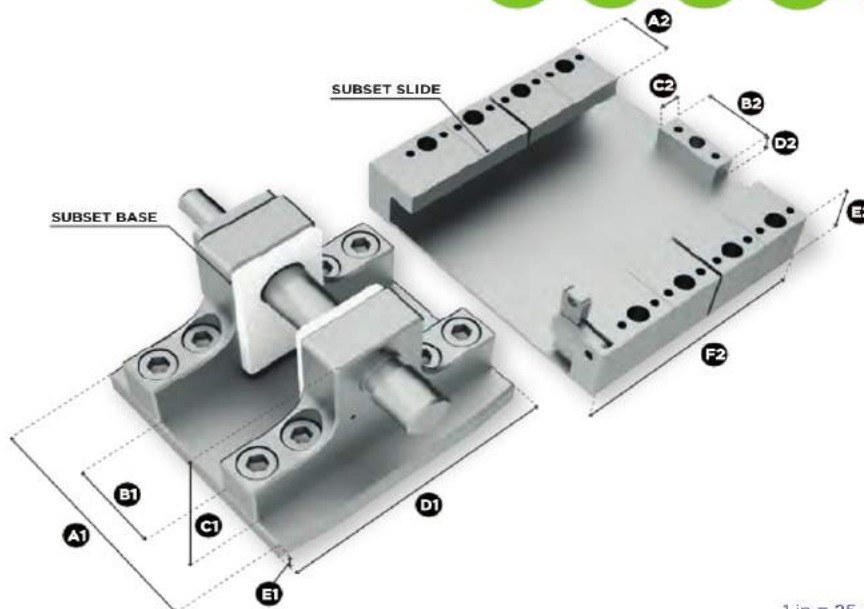
LIFTING SYSTEM FOR MOULD UP TO 80 TONS

Oficiální prodejce:

X PAVLÍNEK
VÁZACÍ PROSTŘEDKY

Šalounova 746/31
703 00 Ostrava - Vítkovice
www.pavlinek.cz

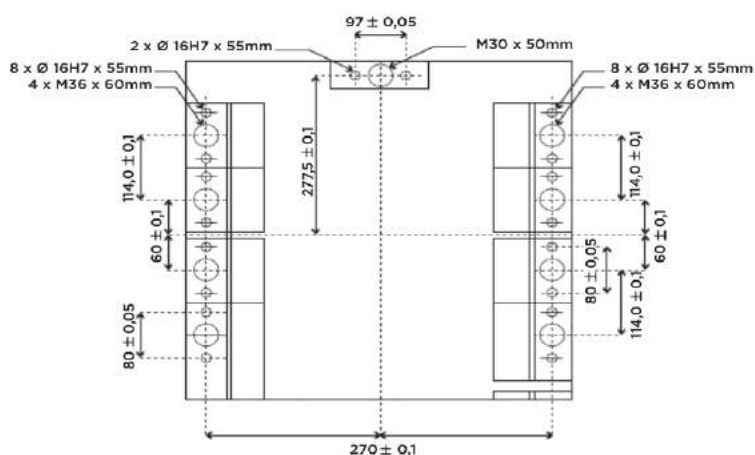
Tel.: +420 595 693 911
Fax: +420 595 693 958
E-mail: obchod@pavlinek.cz



1 in = 25.4 mm

A1 (mm)	B1 (mm)	C1 (mm)	D1 (mm)	E1 (mm)
470	170	315	500	60

A2 (mm)	B2 (mm)	C2 (mm)	D2 (mm)	E2 (mm)	F2 (mm)
120	150	50	50	130	517,5



01.2018

Oficiální prodejce:



Šalounova 746/31
703 00 Ostrava - Vítkovice
www.pavlinek.cz

Tel.: +420 595 693 911
Fax: +420 595 693 958
E-mail: obcnod@pavlinek.cz

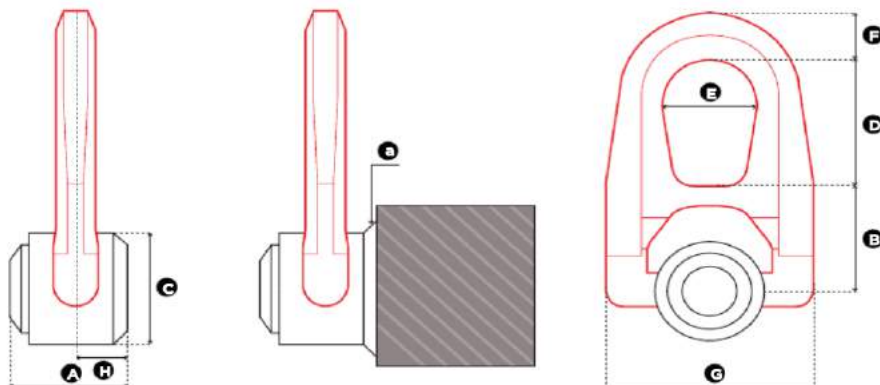
WELD-ON SWIVEL HOIST RING

Oficiální prodejce:



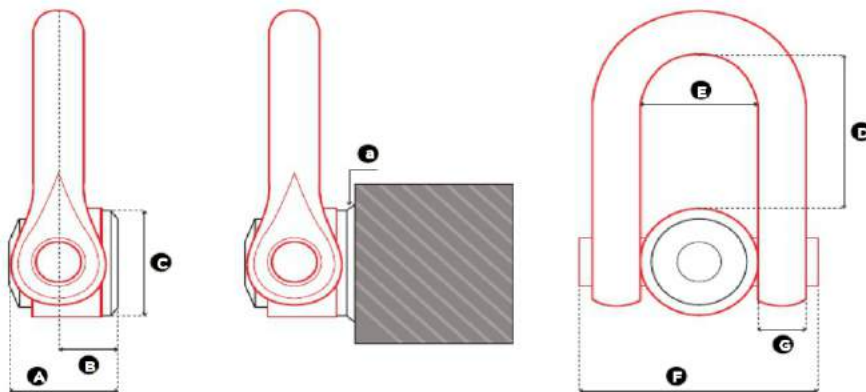
Šalounova 746/31
703 00 Ostrava - Vítkovice
www.pavlinek.cz

Tel.: +420 595 693 911
Fax: +420 595 693 958
E-mail: obchod@pavlinek.cz



1 in = 25.4 mm

Reference	SF 5:1 WLL (t)	SF 5:1 WLL (lbs)	a (mm)	A (mm)	B (mm)	C (mm)	D (mm)	E (mm)	F (mm)	G (mm)	H (mm)	Weight (kg)
WE.DSR 2	2,00	4,400	5	44	40	45	53	38	17	76	20	0,9
WE.DSR 5	5,00	11,000	6	60	55	60	83	55	25	115	24	2,6



1 in = 25.4 mm

Reference	SF 5:1 WLL (t)	SF 5:1 WLL (lbs)	a (mm)	A (mm)	B (mm)	C (mm)	D (mm)	E (mm)	F (mm)	G (mm)	Weight (kg)
WE.DSS 10	10,00	22,000	7	74	44	70	104	73	149	33	5,5

01.2018

Oficiální prodejce:



Šalounova 746/31
703 00 Ostrava - Vítkovice
www.pavlinek.cz

Tel.: +420 595 693 911
Fax: +420 595 693 958
E-mail: obchod@pavlinek.cz

PE.SEB SS.PE.SEB

METRIC THREADS

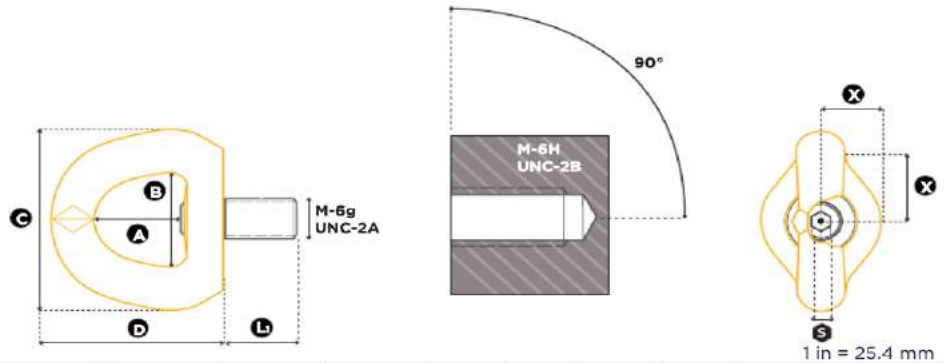
FALL PROTECTION ANCHORAGE POINT



Oficiální prodejce:

PAVLÍNEK
VÁZACÍ PROSTŘEDKY

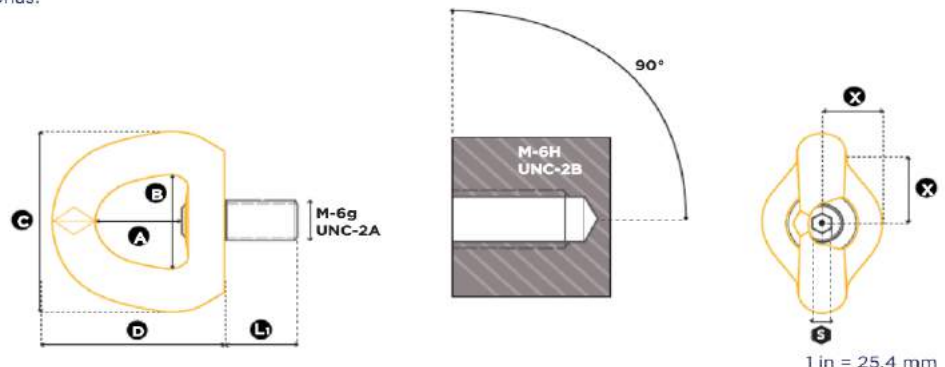
Šalounova 746/31 Tel.: +420 595 693 911
703 00 Ostrava - Vítkovice Fax: +420 595 693 958
www.pavlinek.cz E-mail: obchod@pavlinek.cz



1 in = 25.4 mm

Reference	Diameter	Number of persons	Standard L ₁ (mm)	Torque (Nm)		S (mm)	A (mm)	B (mm)	C (mm)	D (mm)	Weight (kg)
PE.SEB M 12	M 12 (x1,75)	1 pers.	21	15	20	6	30	34	60	57	0,24
PE.SEB M 16	M 16 (x2)	1-2 pers.*	27	50	35	8	38	45	88	80	0,80
PE.SEB M 20	M 20 (x2,5)	1-2 pers.*	30	100	35	8	38	45	88	80	0,80

* The DIN CEN / TS 16415:2013-04 allows use for more than one person. / La norme DIN CEN / TS 16415:2013-04 prévoit l'utilisation pour plus d'une personne. / Die DIN CEN/TS 16415:2013-04 gestattet eine Benutzung von mehrere Personen. / La norma DIN CEN/TS 16415:2013-04 autoriza una utilización para varias personas.



1 in = 25.4 mm

Reference	Diameter	Number of persons	Standard L ₁ (mm)	Torque (Nm)		S (mm)	A (mm)	B (mm)	C (mm)	D (mm)	Weight (kg)
SS.PE.SEB M 12	M 12 (x1,75)	1 pers.	21	15	20	8	38	45	90	80	0,80
SS.PE.SEB M 16	M 16 (x2)	1-2 pers.*	27	50	35	8	38	45	90	80	0,82
SS.PE.SEB M 20	M 20 (x2,5)	1-2 pers.*	30	100	35	8	38	45	90	80	0,84
SS.PE.SEB M 24	M 20 (x3)	1-2 pers.*	36	150	50	8	38	45	90	80	0,90

Comply to EN 795:2012. Please read our user's manual before use. / Conforme à la norme EN 795:2012. Consulter la notice d'instruction avant utilisation. / Entsprechend EN 795:2012. Bitte beachten Sie die Gebrauchsanweisung vor jeder Anwendung. / Conforme a la EN 795:2012. Consultar el manual de instrucciones antes de utilizar el producto.

01.2018

Oficiální prodejce:



Šalounova 746/31
703 00 Ostrava - Vítkovice
www.pavlinek.cz

Tel.: +420 595 693 911
Fak: +420 595 693 958
E-mail: obchod@pavlinek.cz

ADA

ADAPTOR

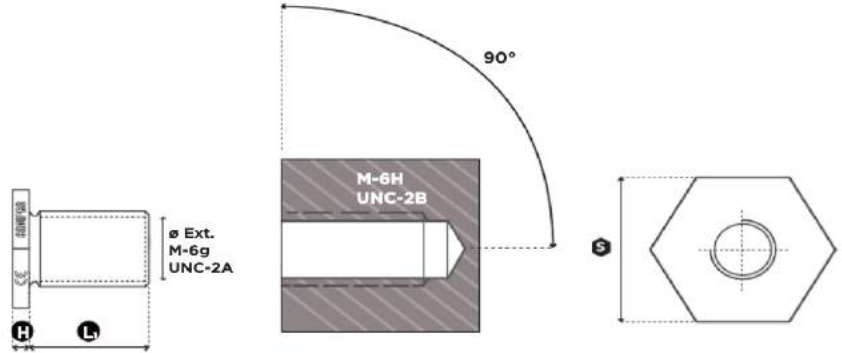
METRIC / UNC THREADS



Oficiální prodejce:

PAVLÍNEK
VÁZACÍ PROSTŘEDKY

Šalounova 746/31 Tel.: +420 595 693 911
703 00 Ostrava - Vítkovice Fax: +420 595 693 958
www.pavlinek.cz E-mail: obchod@pavlinek.cz



1 in = 25.4 mm

Reference	Ext. Diameter	Max. Int. Diameter		L ₁ (mm)	Torque (Nm)	S (mm)	H (mm)
		M ISO	UNC				
ADA M 24	M 24 (x3)	18	5/8"	36	160	50	10
ADA M 30	M 30 (x3,5)	20	7/8"	45	250	50	10
ADA M 36	M 36 (x4)	27	1"	54	320	65	10
ADA M 42	M 42 (x4,5)	33	1" 1/4	63	400	75	10
ADA M 48	M 48 (x5)	39	1" 1/2	68	600	75	10
ADA M 56	M 56 (x5,5)	42	1" 3/4	78	600	95	10
ADA M 64	M 64 (x6)	52	2"	90	600	95	10
ADA M 100	M 100 (x6)	80	3" 1/2	100	600	155	15

1 in = 25.4 mm

Reference	Ext. Diameter	Max. Int. Diameter		L ₁ (mm)	Torque (ft-lb)	S (mm)	H (mm)
		M ISO	UNC				
ADA U 078	UNC 7/8"-9	16	5/8"	33	90	50	10
ADA U 100	UNC 1"-8	18	3/4"	36	125	50	10
ADA U 125	UNC 1"1/4-7	24	7/8"	45	200	50	10
ADA U 138	UNC 1" 3/8-6	27	1"	54	240	65	10
ADA U 150	UNC 1" 1/2-6	30	1" 1/8	61	240	75	10
ADA U 200	UNC 2"-4 1/2	39	1" 1/2	68	450	95	10
ADA U 275	UNC 2" 3/4-4	56	2" 1/4	90	520	155	10
ADA U 400	UNC 4"-4	80	3" 1/4	100	740	155	15

WLL of the adaptor plate = WLL of the CODIPRO lifting ring placed on top. ATTENTION: to be used exclusively with CODIPRO swivel lifting rings. /
La CMU de l'adaptateur = CMU de l'anneau CODIPRO fixé. ATTENTION : utiliser uniquement avec des anneaux de levage articulés CODIPRO. /
Die Tragfähigkeit des Adapters = Tragfähigkeit der CODIPRO-Ringschraube im angeschraubten Zustand. ACHTUNG: gebrauchen Sie die Teile
nur mit drehbaren Ringschrauben der Marke CODIPRO. / La CMU del adaptador = CMU del cáncamo CODIPRO apretado. CUIDADO : utilizar
exclusivamente con los cáncamos giratorios de marca CODIPRO.

01.2018



www.codipro.net - info@codipro.net

25, Salzbaach - L-9559 WILTZ - Tél : +352 26 81 54 1 - Fax : +352 81 05 17

Oficiální prodejce:



Šalounova 746/31
703 00 Ostrava - Vítkovice
www.pavlinek.cz

Tel.: +420 595 693 911
Fax: +420 595 693 958
E-mail: obchod@pavlinek.cz

Oficiální prodejce:

PAVLÍNEK
VÁZACÍ PROSTŘEDKY

Šalounova 746/31
703 00 Ostrava - Vítkovice
www.pavlinek.cz

Tel.: +420 595 693 911
Fax: +420 595 693 958
E-mail: obchod@pavlinek.cz

EXTRAS

- BLOCKING SPRING
- CENTRING
- RFID
- TORQUE KEY
- LASHING

EXTRAS

- HALTEFEDER
- ZENTRIERUNG
- RFID
- DREHMOMENTSCHLÜSSEL
- ZURRPUNKTE

EXTRAS

- RESSORT DE MAINTIEN
- CENTRAGE
- RFID
- EMBOUT DE SERRAGE
- ARRIMAGE

EXTRAS

- RESORTE DE FIJACIÓN
- CENTRAJE
- RFID
- ADAPTADOR DE LLAVE DE MOMENTO DE ROTACIÓN
- SUJECIÓN

www.codipro.net


CODIPRO
LIPA

EXTRAS

Oficiální prodejce:



Šalounova 746/31
703 00 Ostrava - Vítkovice
www.pavlinek.cz

Tel.: +420 595 693 911
Fax: +420 595 693 958
E-mail: obchod@pavlinek.cz

BLOCKING SPRING

RESSORT DE MAINTIEN
HALTEFEDER
RESORTE DE FIJACIÓN

Oficiální prodejce:

PAVLÍNEK
VÁZACÍ PROSTŘEDKY

Šalounova 746/31
703 00 Ostrava - Vítkovice
www.pavlinek.cz

Tel.: +420 595 693 911
Fax: +420 595 693 958
E-mail: obchod@pavlinek.cz

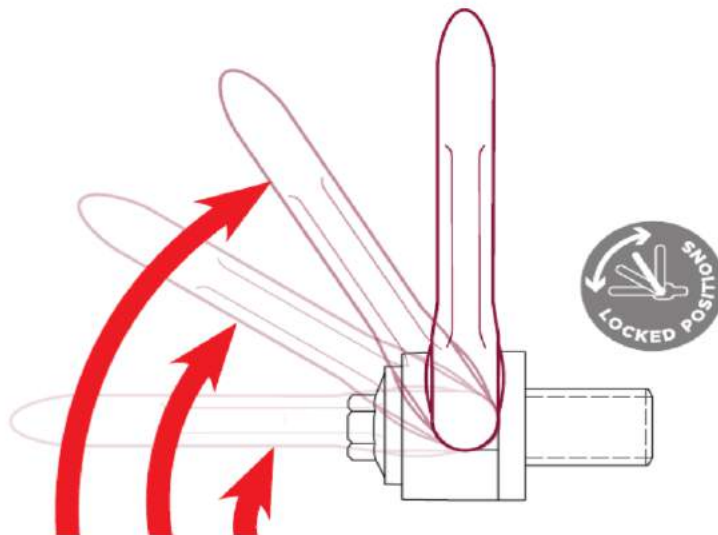


MORE ERGONOMIC

- Allows the shackle to be maintained in its position
- No hindrance to the rotation of the ring during lifting process
- Available on models DSR / DSS / DSP / DSH / TSR

PLUS ERGONOMIQUE

- Permet de maintenir la manille dans sa position
- Aucune entrave à la rotation de l'anneau lors du levage
- Disponible pour les modèles DSR / DSS / DSP / DSH / TSR



ERGONOMISCHER

- Schäkel kann in seiner Position gehalten werden
- Kein Hindernis bei der Rotation der Ringschraube beim Heben
- Verfügbar für die Modelle DSR / DSS / DSP / DSH / TSR

MÁS ERGONÓMICO

- Permite mantener el anillo en su posición
- Ningún obstáculo traba a la rotación del cáncamo durante la elevación
- Disponible para todos los modelos DSR / DSS / DSP / DSH / TSR

01.2018

Oficiální prodejce:

PAVLÍNEK
VÁZACÍ PROSTŘEDKY

Šalounova 746/31
703 00 Ostrava - Vítkovice
www.pavlinek.cz

Tel.: +420 595 693 911
Fax: +420 595 693 958
E-mail: obchod@pavlinek.cz

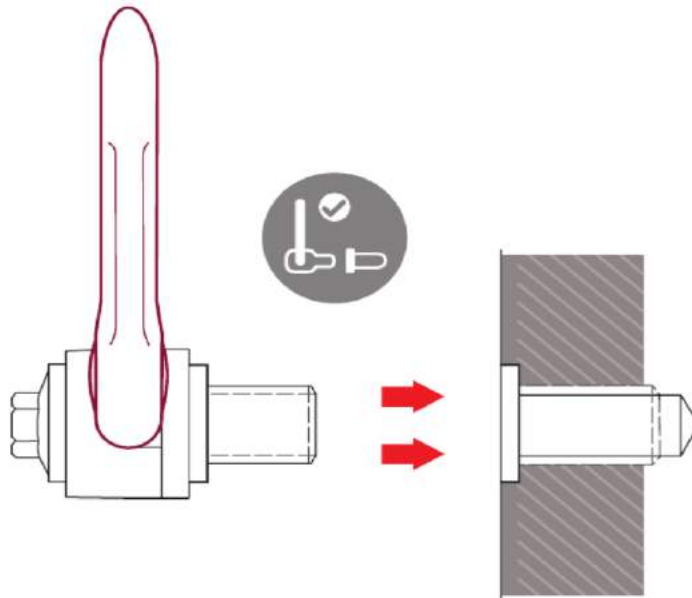


MORE SAFETY

- Reinforcement of the weakest point at 90°
- Higher WLL at 90° angle
- Increases the shearing off diameter
- No price increase
- Available on models SEB / DSR / DSS / TSR / DSP / DSH

SÉCURITÉ ACCRUE

- Renforcement du point faible à 90°
- CMU améliorée avec angle à 90°
- Augmente le diamètre de cisaillement
- Pas de surcoût
- Disponible pour modèles SEB / DSR / DSS / TSR / DSP / DSH



NOCH MEHR SICHEREIT

- Verstärkung des schwächsten Punkt bei 90°-Hebung
- Höhere Tragfähigkeit bei 90°-Hebung
- Vergrößert den Abscherdurchmesser
- Gleicher Preis
- Verfügbar für die Modelle SEB / DSR / DSS / TSR / DSP / DSH

AÚN MÁS SEGURIDAD

- Fortalecimiento del punto débil (90°)
- CMU más elevadas
- Aumento del diámetro de cizalladura
- Sin coste extra
- Disponible para los modelos SEB / DSR / DSS / TSR / DSP / DSH

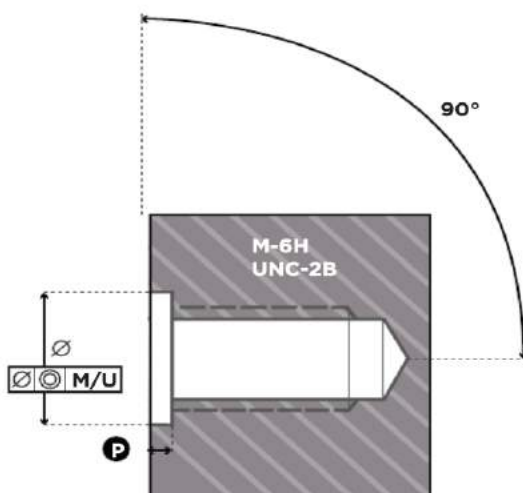
01.2018

Oficiální prodejce:

PAVLÍNEK
VÁZACÍ PROSTŘEDKY

Šalounova 746/31
703 00 Ostrava - Vítkovice
www.pavlinek.cz

Tel.: +420 595 693 911
Fax: +420 595 693 958
E-mail: obchod@pavlinek.cz



Metric	ø (mm)	P (mm)
M 5	16 $\begin{smallmatrix} +0,25 \\ 0 \end{smallmatrix}$	3 $\begin{smallmatrix} +1 \\ +0,5 \end{smallmatrix}$
M 6	16 $\begin{smallmatrix} +0,25 \\ 0 \end{smallmatrix}$	3 $\begin{smallmatrix} +1 \\ +0,5 \end{smallmatrix}$
M 8	16 $\begin{smallmatrix} +0,25 \\ 0 \end{smallmatrix}$	3 $\begin{smallmatrix} +1 \\ +0,5 \end{smallmatrix}$
M 10	20 $\begin{smallmatrix} +0,25 \\ 0 \end{smallmatrix}$	3 $\begin{smallmatrix} +1 \\ +0,5 \end{smallmatrix}$
M 12	20 $\begin{smallmatrix} +0,25 \\ 0 \end{smallmatrix}$	3 $\begin{smallmatrix} +1 \\ +0,5 \end{smallmatrix}$
M 14	20 $\begin{smallmatrix} +0,25 \\ 0 \end{smallmatrix}$	3 $\begin{smallmatrix} +1 \\ +0,5 \end{smallmatrix}$
M 16	20 $\begin{smallmatrix} +0,25 \\ 0 \end{smallmatrix}$	3 $\begin{smallmatrix} +1 \\ +0,5 \end{smallmatrix}$
M 18	30 $\begin{smallmatrix} +0,30 \\ 0 \end{smallmatrix}$	3 $\begin{smallmatrix} +1 \\ +0,5 \end{smallmatrix}$
M 20	30 $\begin{smallmatrix} +0,30 \\ 0 \end{smallmatrix}$	3 $\begin{smallmatrix} +1 \\ +0,5 \end{smallmatrix}$
M 22	30 $\begin{smallmatrix} +0,30 \\ 0 \end{smallmatrix}$	4 $\begin{smallmatrix} +1 \\ +0,5 \end{smallmatrix}$
M 24	30 $\begin{smallmatrix} +0,30 \\ 0 \end{smallmatrix}$	4 $\begin{smallmatrix} +1 \\ +0,5 \end{smallmatrix}$
M 27	30 $\begin{smallmatrix} +0,30 \\ 0 \end{smallmatrix}$	4 $\begin{smallmatrix} +1 \\ +0,5 \end{smallmatrix}$
M 30	36 $\begin{smallmatrix} +0,30 \\ 0 \end{smallmatrix}$	4 $\begin{smallmatrix} +1 \\ +0,5 \end{smallmatrix}$
M 33	48 $\begin{smallmatrix} +0,50 \\ +0,10 \end{smallmatrix}$	6 $\begin{smallmatrix} +1 \\ +0,5 \end{smallmatrix}$
M 36	48 $\begin{smallmatrix} +0,50 \\ +0,10 \end{smallmatrix}$	6 $\begin{smallmatrix} +1 \\ +0,5 \end{smallmatrix}$
M 39	48 $\begin{smallmatrix} +0,50 \\ +0,10 \end{smallmatrix}$	6 $\begin{smallmatrix} +1 \\ +0,5 \end{smallmatrix}$
M 42	48 $\begin{smallmatrix} +0,50 \\ +0,10 \end{smallmatrix}$	6 $\begin{smallmatrix} +1 \\ +0,5 \end{smallmatrix}$
M 45	48 $\begin{smallmatrix} +0,50 \\ +0,10 \end{smallmatrix}$	6 $\begin{smallmatrix} +1 \\ +0,5 \end{smallmatrix}$
M 48	64 $\begin{smallmatrix} +0,60 \\ +0,10 \end{smallmatrix}$	8 $\begin{smallmatrix} +1 \\ +0,5 \end{smallmatrix}$
M 52	64 $\begin{smallmatrix} +0,60 \\ +0,10 \end{smallmatrix}$	8 $\begin{smallmatrix} +1 \\ +0,5 \end{smallmatrix}$
M 56	64 $\begin{smallmatrix} +0,60 \\ +0,10 \end{smallmatrix}$	8 $\begin{smallmatrix} +1 \\ +0,5 \end{smallmatrix}$
M 64	74 $\begin{smallmatrix} +0,60 \\ +0,10 \end{smallmatrix}$	10 $\begin{smallmatrix} +1 \\ +0,5 \end{smallmatrix}$

UNC	ø (mm)	P (mm)
1/4"	16 $\begin{smallmatrix} +0,25 \\ 0 \end{smallmatrix}$	3 $\begin{smallmatrix} +1 \\ +0,5 \end{smallmatrix}$
5/16"	20 $\begin{smallmatrix} +0,25 \\ 0 \end{smallmatrix}$	3 $\begin{smallmatrix} +1 \\ +0,5 \end{smallmatrix}$
3/8"	20 $\begin{smallmatrix} +0,25 \\ 0 \end{smallmatrix}$	3 $\begin{smallmatrix} +1 \\ +0,5 \end{smallmatrix}$
1/2"	20 $\begin{smallmatrix} +0,25 \\ 0 \end{smallmatrix}$	3 $\begin{smallmatrix} +1 \\ +0,5 \end{smallmatrix}$
5/8"	20 $\begin{smallmatrix} +0,25 \\ 0 \end{smallmatrix}$	3 $\begin{smallmatrix} +1 \\ +0,5 \end{smallmatrix}$
3/4"	30 $\begin{smallmatrix} +0,30 \\ 0 \end{smallmatrix}$	3 $\begin{smallmatrix} +1 \\ +0,5 \end{smallmatrix}$
7/8"	30 $\begin{smallmatrix} +0,30 \\ 0 \end{smallmatrix}$	4 $\begin{smallmatrix} +1 \\ +0,5 \end{smallmatrix}$
1"	30 $\begin{smallmatrix} +0,30 \\ 0 \end{smallmatrix}$	4 $\begin{smallmatrix} +1 \\ +0,5 \end{smallmatrix}$
1" 1/4	36 $\begin{smallmatrix} +0,30 \\ 0 \end{smallmatrix}$	4 $\begin{smallmatrix} +1 \\ +0,5 \end{smallmatrix}$
1" 3/8	48 $\begin{smallmatrix} +0,50 \\ +0,10 \end{smallmatrix}$	6 $\begin{smallmatrix} +1 \\ +0,5 \end{smallmatrix}$
1" 1/2	48 $\begin{smallmatrix} +0,50 \\ +0,10 \end{smallmatrix}$	6 $\begin{smallmatrix} +1 \\ +0,5 \end{smallmatrix}$
2"	64 $\begin{smallmatrix} +0,60 \\ +0,10 \end{smallmatrix}$	8 $\begin{smallmatrix} +1 \\ +0,5 \end{smallmatrix}$
2" 1/2	74 $\begin{smallmatrix} +0,60 \\ +0,10 \end{smallmatrix}$	10 $\begin{smallmatrix} +1 \\ +0,5 \end{smallmatrix}$

RFID

RADIO FREQUENCY IDENTIFICATION

Oficiální prodejce:

X PAVLÍNEK
VÁZACÍ PROSTŘEDKY

Šalounova 746/31
703 00 Ostrava - Vítkovice
www.pavlinek.cz

Tel.: +420 595 693 911
Fax: +420 595 693 958
E-mail: obchod@pavlinek.cz

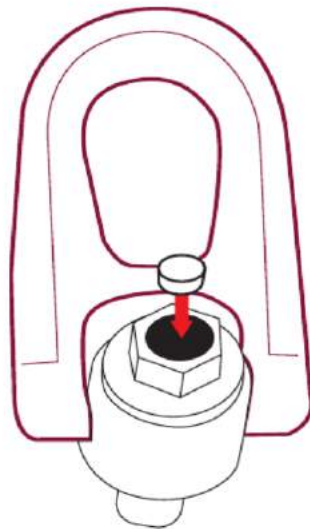


OPTIMUM IDENTIFICATION AND TRACEABILITY

- Easy integration into all CODIPRO lifting rings
- Quick and efficient data reading, tracking and management
- Cost-savings and shorter control time
- Process reliability

IDENTIFICATION ET TRAÇABILITÉ OPTIMALES

- Intégration aisée dans tous les anneaux de levage CODIPRO
- Lecture, suivi et gestion des informations efficaces et rapides
- Réduction des coûts et de la durée des contrôles
- Fiabilité du process



OPTIMALE KENNZEICHNUNG UND RÜCKVERFOLGBARKEIT

- Einfache Integration in alle Wirbelringschrauben von CODIPRO
- Schnelle und effiziente Auslesung, Rückverfolgbarkeit und Verwaltung der Informationen
- Zeit- und Kostenersparnis bei UVV-Prüfungen
- Zuverlässige und fehlerfreie Datenspeicherung

OPTIMIZACIÓN DE LA TRAZABILIDAD Y DE LA IDENTIFICACIÓN

- Fácil de integrar en los cáncamos de izaje CODIPRO
- Lectura, control y gestión de las informaciones rápidos y eficientes
- Reducción de los costes y del tiempo de revisión
- Fiabilidad del proceso

01.2018



www.codipro.net - info@codipro.net

25, Salzbaach - L-9559 WILTZ - Tél : +352 26 81 54 1 - Fax : +352 81 05 17

TORQUE KEY

EMBOUIT DE SERRAGE DREHMOMENTSCHLÜSSEL LLAVE DE FIJACIÓN

Oficiální prodejce:

PAVLÍNEK
VÁZACÍ PROSTŘEDKY

Šalounova 746/31
703 00 Ostrava - Vítkovice
www.pavlinek.cz

Tel.: +420 595 693 911
Fax: +420 595 693 958
E-mail: obchod@pavlinek.cz

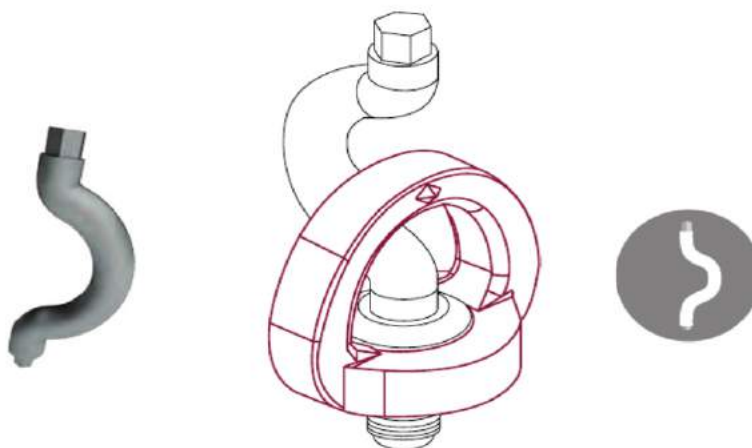


FOR SEB MODELS M8 TO M24

- Easy tightening
- Allows to apply the recommended torque value
- Adapted for torque spanners
- Corrosion protection
- 3 sizes available

POUR MODÈLES SEB M8 À M24

- Facilité de serrage
- Permet d'appliquer le couple de serrage recommandé
- Adapté pour les clés dynamométriques
- Protection contre la corrosion
- 3 tailles disponibles



FÜR SEB MODELLE M8 BIS M24

- Leichteres Einschrauben
- Erlaubt das empfohlene Drehmoment anzuwenden
- Für Drehmomentschlüssel geeignet
- Korrosionsschutz
- 3 verfügbare Größen

PARA LOS MODELOS DEL SEB M8 AL M24

- Facilidad de apriete
- Permite aplicar par de apriete recomendado
- Adaptado para las llaves dinamométricas
- Protección contra la corrosión
- Disponible en 3 tallas

	SEB M 8 UP	SEB M 10 UP	SEB M 12 UP	SEB M 16 UP	SEB M 20 UP	SEB M 24 UP
key SEB - 1	X	X	X			
key SEB - 2				X	X	
key SEB - 3						X

01.2018

LASHING

ARRIMAGE
ZURRPUNKTE
ESTIBA

Oficiální prodejce:

X PAVLÍNEK
VÁZACÍ PROSTŘEDKY

Šalounova 746/31
703 00 Ostrava - Vítkovice
www.pavlinek.cz

Tel.: +420 595 693 911
Fax: +420 595 693 958
E-mail: obchod@pavlinek.cz

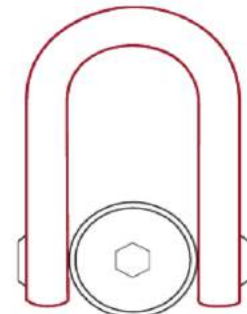
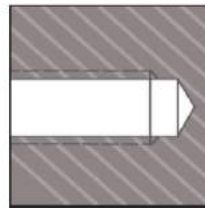
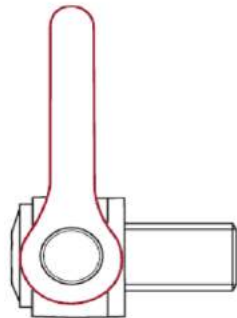


CERTIFIED FOR LASHING

- Double use: lashing + lifting
- Double marking LC & WLL
- Slight extra cost
- Available on the whole range

HOMOLOGUÉ POUR ARRIMAGE

- Double utilisation: arrimage + levage
- Double gravure LC & CMU
- Faible surcoût
- Disponible sur toute la gamme



ZERTIFIZIERT ALS ZURRPUNKT

- Doppelte Anwendungsmöglichkeit:
Ladungssicherungs- und Hebemittel
- Zweifache Gravur LC & WLL
- Geringe Mehrkosten
- Verfügbar für die komplette Produktpalette

HOMOLOGADOS PARA ESTIBAR

- Doble utilización: estiba + elevación
- Doble grabado LC & CMU
- Coste adicional mínimo
- Disponible para toda la gama

01.2018

SCP

**SURFACE CONTACT
PROTECT**

Oficiální prodejce:

X PAVLÍNEK
VÁZACÍ PROSTŘEDKY

Šalounova 746/31
703 00 Ostrava - Vítkovice
www.pavlinek.cz

Tel.: +420 595 693 911
Fax: +420 595 693 958
E-mail: obchod@pavlinek.cz

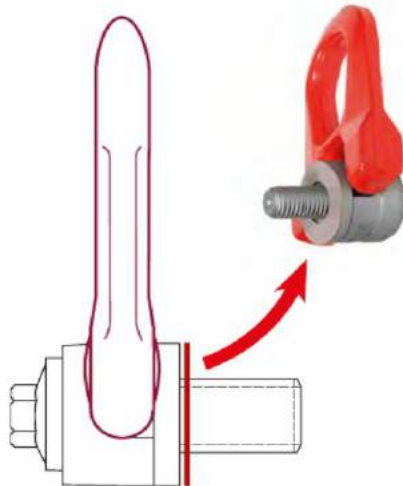
SCP

ADHESIVE PROTECTIVE WASHER

- Insignificant lever arm thanks to its thickness of 25 µm
- No scratches or paint removal thanks to the proper bolt tightening
- Easy to replace in case of excessive wear
- Optional with the DSR lifting rings

RONDELLE ADHÉSIVE DE PROTECTION

- Bras de levier négligeable par son épaisseur de 25 µm
- Evite les griffes ou l'enlèvement de peinture dû à la fixation par vissage de l'anneau
- Simple à remplacer en cas d'usure
- Optionnel pour les anneaux DSR



SCP

SELBSTKLEBENDE SCHUTZFOLIE

- Fast keine Verlängerung des Hebelarms durch ein Foliendicke von 25 µm
- Vermeidet Beschädigungen and der Last, die gehoben wird
- Leicht zu ersetzen
- Optional für DSR-Wirbelringschrauben

ARANDELA ADHESIVA DE PROTECCIÓN

- Efecto palanca desdeñable por su espesor de 25 µm
- Elimina los riesgos de garras o de retirada de pintura debido a la fijación del cáncamo
- Simple a sustituir en caso de desgaste
- Opcional por los cáncamos DSR

01.2018

Oficiální prodejce:



Šalounova 746/31
703 00 Ostrava - Vítkovice
www.pavlinek.cz

Tel.: +420 595 693 911
Fax: +420 595 693 958
E-mail: obchod@pavlinek.cz

Oficiální prodejce:

PAVLÍNEK
VÁZACÍ PROSTŘEDKY

Šalounova 746/31
703 00 Ostrava - Vítkovice
www.pavlinek.cz

Tel.: +420 595 693 911
Fax: +420 595 693 958
E-mail: obchod@pavlinek.cz

CUSTOMIZED

- BOLT - NUT - WASHER
- THREAD
- SPACER
- DOUBLE CENTRING
- BELL TYPE LIFTING RING
- CUSTOM ENGRAVING - ALITAG
- SURFACE TREATMENT
- MISCELLANEOUS APPLICATIONS

SONDERANFERTIGUNGEN

- SCHRAUBE - MUTTER - SCHEIBE
- GEWINDE
- ABSTANDSHALTER
- BEIDSEITIGE ZENTRIERSCHEIBEN
- WIRBELRINGSCHRAUBE MIT BUCHSE
- INDIVIDUELLE GRAVUR - ALITAG
- OBERFLÄCHENBEHANDLUNG
- VERSCHIEDENE ANWENDUNGEN

SUR-MESURE

- AXE - ÉCROU - RONDELLE
- FILETAGE
- ENTRETOISE
- DOUBLE CENTRAGE
- ANNEAU CLOCHE
- GRAVURE PERSONNALISÉE - ALITAG
- TRAITEMENT DE SURFACE
- APPLICATIONS DIVERSES

A MEDIDA

- EJE - TUERCA - ARANDELA
- ROSCA
- DISTANCIADOR
- DOBLE CENTRAJE
- CÁNCAMO GIRATORIO ARTICULADO CON ADAPTADOR HEMBRA
- GRABADO PERSONALIZADO - ALITAG
- TRATAMIENTO DE SUPERFICIE
- VARIAS APLICACIONES

www.codipro.net


CODIPRO
LIPA

CUSTOMIZED

Oficiální prodejce:



Šalounova 746/31
703 00 Ostrava - Vítkovice
www.pavlinek.cz

Tel.: +420 595 693 911
Fax: +420 595 693 958
E-mail: obchod@pavlinek.cz

BOLT NUT WASHER

AXE - ÉCROU - RONDELLE
SCHRAUBE - MUTTER - SCHEIBE
EJE - TUERCA - ARANDELA

Oficiální prodejce:

PAVLÍNEK
VÁZACÍ PROSTŘEDKY

Šalounova 746/31
703 00 Ostrava - Vítkovice
www.pavlinek.cz

Tel.: +420 595 693 911
Fax: +420 595 693 958
E-mail: obchod@pavlinek.cz



WITH THE EXACTNESS OF A TENTH OF A MILLIMETER

- Partially threaded bolts
- Nut and washer available on request
- Special bolt lengths available on request

AU MILLIMÈTRE PRÈS

- Possibilité de réaliser une partie lisse et/ou une partie filetée
- Ecrou et rondelle disponibles sur demande
- Axe coupé au millimètre près disponible sur demande



AUF DEN MILLIMETER GENAU

- Fertigung von Teilgewinden möglich
- Auf Anfrage mit Mutter und Scheibe verfügbar
- Maßanfertigungen auf Anfrage erhältlich

AL MILÍMETRO

- Posibilidad de diseñar un cáncamo con un eje que tenga una parte lisa y/o una parte roscada
- Tuerca y arandela disponibles bajo solicitud
- Eje cortado al milímetro bajo solicitud

01.2018

THREAD

FILETAGE GEWINDE ROSCA

Oficiální prodejce:

X PAVLÍNEK
VÁZACÍ PROSTŘEDKY

Šalounova 746/31
703 00 Ostrava - Vítkovice
www.pavlinek.cz

Tel.: +420 595 693 911
Fax: +420 595 693 958
E-mail: obchod@pavlinek.cz



AVAILABLE THREADS

→ Please refer to chapter « Other » for the thread chart

FILETAGES DISPONIBLES

→ Voir chapitre « Other » pour consulter notre tableau des filetages courants



Thread / Filetage / Gewinde / Rosca		
M	UNJ	WW/BSW
MF	UNJF	BSF
UNC	8UN	Rd
UNF	G/BSPP	...

VERFÜGBARE GEWINDE

→ Siehe Kapitel « Other » zur Einsicht der Gewindetabelle

ROSCAS DISPONIBLES

→ El recapitulativo de las roscas comunes está en el capítulo «Other»

01.2018

SPACER

ENTRETOISE ABSTANDSHALTER DISTANCIADOR

Oficiální prodejce:

PAVLÍNEK
VÁZACÍ PROSTŘEDKY

Šalounova 746/31
703 00 Ostrava - Vítkovice
www.pavlinek.cz

Tel.: +420 595 693 911
Fax: +420 595 693 958
E-mail: obchod@pavlinek.cz

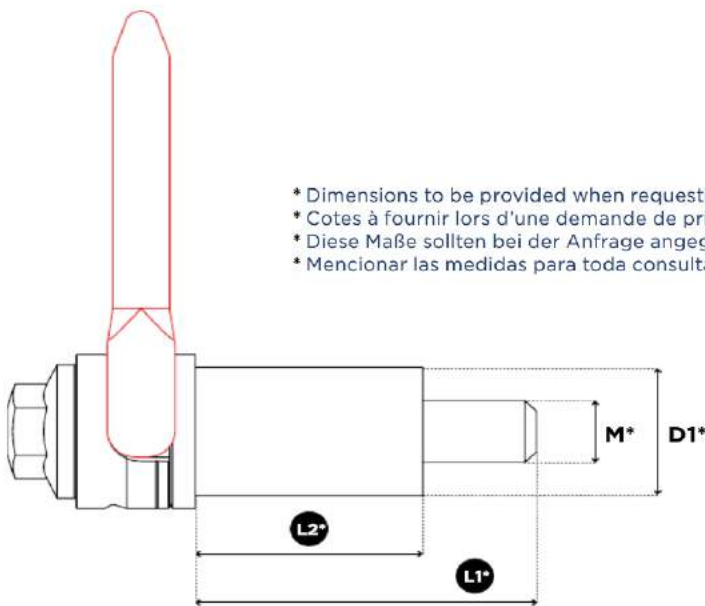


When can we use this certified system composed of a lifting ring with a spacer?

→ If the design of the workpiece to be lifted prevents the mobility of the shackle, this system solves the issue by moving away.

Quand utiliser ce système homologué composé d'un anneau + une entretoise?

→ Si la géométrie de la pièce à lever empêche la bonne mobilité de la manille, ce système résoudra la problématique en s'écartant.



Wann braucht man dieses zertifizierte System, bestehend aus Abstandshalter und Anschraubwirbel?

→ In Fällen, wo das Gewinde für den Anschraubwirbel nur schwierig zugänglich ist oder die Gegebenheiten der Last die freie Drehung des Anschraubwirbels einschränken. Der Abstandshalter bietet die Möglichkeit sich von der Last zu entfernen.

¿Cuándo recurrir al sistema homologado compuesto de un cáncamo + un distanciador?

→ Cuando el contexto de izaje reduce la movilidad de la manila. Así este sistema va a resolver el problema alejándose de la pieza a izar.

01.2018

DOUBLE CENTRING

DOUBLE CENTRAGE DOPPELZENTRIERUNG DOBLE CENTRAJE

Oficiální prodejce:

PAVLÍNEK
VÁZACÍ PROSTŘEDKY

Šalounova 746/31
703 00 Ostrava - Vítkovice
www.pavlinek.cz

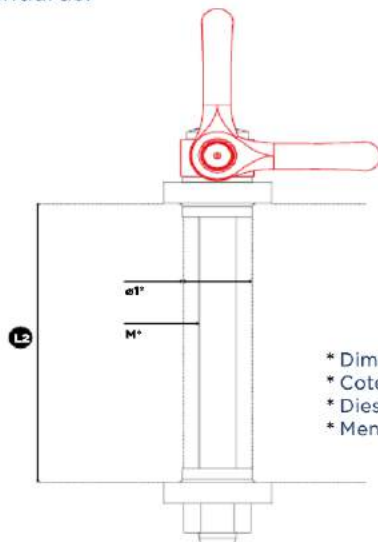
Tel.: +420 595 693 911
Fax: +420 595 693 958
E-mail: obchod@pavlinek.cz



When can we use the ring with double centring?

- In case of lifting through an unthreaded hole the double centring ensures perfect stability of the ring during the lifting operation ;
- In case of a big diameter holes and low weight to be lifted the double centring system avoids the use of an oversized lifting ring.

Certified system according to applicable standards.



- * Dimensions to be provided when requesting a quotation
- * Cotes à fournir lors d'une demande de prix
- * Diese Maße sollten bei der Anfrage angegeben werden
- * Mencionar las medidas para toda consulta de precio

Quand utiliser l'anneau à double centrage?

- Si perçage lisse, le double centrage garantit une parfaite stabilité de l'anneau avec la pièce à lever ;
- Si gros diamètre de perçage et petite charge à lever, l'anneau équipé du double centrage évite l'utilisation d'un anneau surdimensionné.

Système homologué selon les normes en vigueur.



Wann braucht man eine « doppelte Zentrierung »?

- Wenn eine Bohrung ohne Gewinde zum Anheben der Last benutzt werden soll, bieten die Zentrierscheiben einen perfekten Sitz des Anschraubwirls in der Last ;
- Wenn eine zu groß dimensionierte Bohrung zum Heben benutzt werden soll. Hier ermöglichen die Zentrierscheiben eine Kostenersparnis sowie den Einsatz von kleineren Anschraubwirls die für die Last ausgelegt sind.

Zertifiziert nach den geltenden Normen.

¿Cuándo utilizar un cáncamo con doble centrage?

- Cuando el cáncamo atraviesa una pieza y que el hueco es liso, el doble centrage garantiza una estabilidad perfecta del cáncamo con la pieza a levantar ;
- Cuando el diámetro del hueco es muy ancho y la CMU muy baja, el doble centrage evita el uso de un cáncamo sobredimensionado.

Sistema homologado según las normas vigentes.

01.2018

BELL TYPE LIFTING RING

ANNEAU CLOCHE
WIRBELRINGSCHRAUBE MIT BUCHSE
CÁNCAMO GIRATORIO ARTICULADO
CON ADAPTADOR HEMBRA

Oficiální prodejce:

PAVLÍNEK
VÁZACÍ PROSTŘEDKY

Šalounova 746/31
703 00 Ostrava - Vítkovice
www.pavlinek.cz

Tel.: +420 595 693 911
Fax: +420 595 693 958
E-mail: obchod@pavlinek.cz

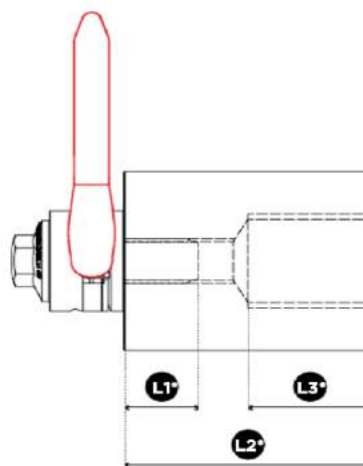
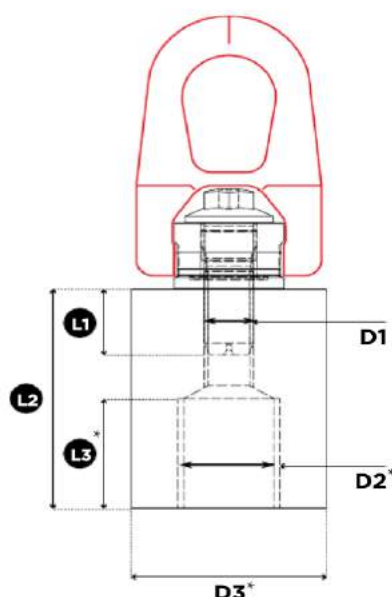


When can we use the bell type lifting ring ?

- Similar application as for female hoist rings but specially designed for threaded shafts with a large diameter but low weights to lift ;
- Available for all thread types.

Quand utiliser l'anneau cloche ?

- Utilisation similaire aux anneaux femelles mais spécialement élaboré lorsqu'il y a un important diamètre de tige filetée avec une faible charge à lever ;
- Disponible pour tous types de filetage.



- * Dimensions to be provided when requesting a quotation
- * Cotes à fournir lors d'une demande de prix
- * Diese Maße sollten bei der Anfrage angegeben werden
- * Mencionar las medidas para toda consulta de precio

Wann braucht man eine Wirbelringschraube mit Buchse ?

- Gleiche Anwendungen wie für Wirbelringschrauben mit Innengewinde, jedoch speziell entwickelt für große Gewindedurchmesser bei weniger schweren Lasten ;
- Alle Gewindearten erhältlich.

¿Cuándo utilizar un cáncamo giratorio articulado con adaptador hembra?

- Se usa de igual manera que los cáncamos hembra solo que están diseñados para izajes con una CMU baja y un diámetro de perno roscado muy ancho;
- Disponible para todo tipo de rosca.

01.2018

CUSTOM MARKING - ALITAG

GRAVURE PERSONNALISÉE - ALITAG
INDIVIDUELLE GRAVUR - ALITAG
GRABADO INDIVIDUAL - ALITAG

Oficiální prodejce:

PAVLÍNEK
VÁZACÍ PROSTŘEDKY

Šalounova 746/31
703 00 Ostrava - Vítkovice
www.pavlinek.cz

Tel.: +420 595 693 911
Fax: +420 595 693 958
E-mail: obchod@pavlinek.cz



- Even more personalized on request and available on the entire product range
- Encore plus personnalisé sur demande et possible sur toute la gamme
- Noch kundenspezifischer und für alle Wirbelringschrauben erhältlich
- Bajo solicitud se puede personalizar el grabado a gusto para toda la gama.



01.2018

CODIPRO
LIPA

www.codipro.net - info@codipro.net

25, Salzbaach - L-9559 WILTZ - Tél : +352 26 81 54 1 - Fax : +352 81 05 17

SURFACE TREATMENT

TRAITEMENT DE SURFACE OBERFLÄCHENBEHANDLUNG TRATAMIENTO DE SUPERFICIE

Oficiální prodejce:



Šalounova 746/31
703 00 Ostrava - Vítkovice
www.pavlinek.cz

Tel.: +420 595 693 911
Fax: +420 595 693 958
E-mail: obchod@pavlinek.cz



CODIPRO offers various types of surface treatments
CODIPRO propose différents types de traitement de surface
CODIPRO bietet verschiedene Oberflächenbehandlungen
CODIPRO propone varios tipos de tratamiento de superficie

→ White zinc plating
→ Zingage blanc
→ Weiß-Verzinkung
→ Zincado blanco

→ Black zinc plating
→ Zingage noir
→ Schwarz-Verzinkung
→ Zincado negro

→ Yellow zinc chromate plating*
→ Zingage bichromaté jaune*
→ Gelb-Verzinkung*
→ Zincado bicromatado amarillo*

→ Nickel plating
→ Nickelage
→ Vernickelung
→ Niquelado

→ Black oxide plating
→ Oxydation noire
→ Schwarz-Oxid Beschichtung
→ Oxido negro

→ Phosphate coating
→ Phosphatation
→ Phosphatierung
→ Fosfatación

→ Hard chrome plating*
→ Chromatage dur*
→ Hartverchromung*
→ Cromado duro*

→ Special color
→ Peinture spécifique
→ Sonderlackierung
→ Pintura específica

...

* REACH regulation sept 17

* In case that the required surface treatment is not part of the table below, please contact us.

* Si le traitement que vous cherchez ne figure pas dans ce tableau, contactez-nous.

* Kontaktieren Sie uns wenn die Oberflächenbehandlung die Sie suchen, nicht in der Tabelle aufgeführt ist.

* Si el tratamiento de superficie que buscáis no figura en la tabla, contáctenos.



01.2018

**MISCELLANEOUS
APPLICATIONS**

**APPLICATIONS DIVERSES
VERSCHIEDENE ANWENDUNGEN
VARIAS APLICACIONES**

Oficiální prodejce:

PAVLÍNEK
VÁZACÍ PROSTŘEDKY

Šalounova 746/31
703 00 Ostrava - Vítkovice
www.pavlinek.cz

Tel.: +420 595 693 911
Fax: +420 595 693 958
E-mail: obchod@pavlinek.cz



- Certified system
- Système homologué
- Zertifiziertes System
- Sistema homologado



01.2018

CODIPRO
LÍPÁ

www.codipro.net - info@codipro.net
25, Salzbaach - L-9559 WILTZ - Tél : +352 26 81 54 1 - Fax : +352 81 05 17

Oficiální prodejce:

PAVLÍNEK
VÁZACÍ PROSTŘEDKY

Šalounova 746/31
703 00 Ostrava - Vítkovice
www.pavlinek.cz

Tel.: +420 595 693 911
Fax: +420 595 693 958
E-mail: obchod@pavlinek.cz

INFORMATION

- CERTIFICATE OF COMPLIANCE
- USE RECOMMENDATIONS
- REVISION PROCEDURE
- FIXATION TYPES

INFORMATIONS

- CERTIFICAT DE CONFORMITÉ
- NOTICES D'INSTRUCTIONS
- PROCÉDURE DE REMISE EN ÉTAT
- TYPES DE FIXATION

INFORMATIONEN

- KONFORMITÄTSERKLÄRUNG
- GEBRAUCHSANWEISUNG
- VERFAHREN ZUR INSTANDSETZUNG
- BEFESTIGUNGSBEISPIELE

INFORMACIONES

- CERTIFICADO DE CONFORMIDAD
- MANUAL DE INSTRUCCIONES
- PROCESO DE REVISIÓN
- TIPOS DE FIJACIÓN

www.codipro.net


CODIPRO
LIPA

Oficiální prodejce:



Šalounova 746/31
703 00 Ostrava - Vítkovice
www.pavlinek.cz

Tel.: +420 595 693 911
Fax: +420 595 693 958
E-mail: obchod@pavlinek.cz

CERTIFICATE OF COMPLIANCE

CERTIFICAT DE CONFORMITÉ KONFORMITÄT SERKLÄRUNG CERTIFICADO DE CONFORMIDAD

Oficiální prodejce:



Salounova 746/31
703 00 Ostrava - Vítkovice
www.pavlinek.cz
Tel.: +420 595 693 911
Fax: +420 595 693 958
E-mail: obchod@pavlinek.cz

A CERTIFICATE OF COMPLIANCE ACCOMPANIES :

- Swivel lifting rings
- Fall protection anchorage points: PE.SEB / SS.PE.SEB
- Weld-on swivel lifting rings : WE.DSR / WE.DSS
- Lifting system for moulds up to 80 tons: SLM

UN CERTIFICAT DE CONFORMITÉ ACCOMPAGNE :

- Les anneaux de levage
- Les anneaux antichute pour la sécurité des personnes : PE.SEB / SS.PE.SEB
- Les anneaux articulés à souder : WE.DSR / WE.DSS
- Le système de levage pour moules jusqu'à 80t: SLM

JEDER ANSCHRAUBWIRBEL WIRD MIT ZERTIFIKAT GELIEFERT :

- Anschraubwirbel
- Absturzsichere Ringschrauben zur Personensicherung: PE.SEB / SS.PE.SEB
- Anschweißbare Wirbelringe : WE.DSR / WE.DSS
- Sonderhebevorrichtung zum Heben von Werkzeugen bis zu 80t: SLM

UN CERTIFICADO DE CONFORMIDAD ACOMPAÑA :

- Los cáncamos giratorios articulados
- Los cáncamos giratorios anticaídas para la seguridad de las personas : PE.SEB / SS.PE.SEB
- Los cáncamos giratorios soldables : WE.DSR / WE.DSS
- El sistema de elevación para moldes hasta 80 toneladas : SLM

CE CERTIFICATE :	
Fabricant / manufacturer / Hersteller / fabricante CODIPRO LIPA CODIPROLUX ZA "SALZBAACH" L-9559 WILTZ	
Client / Customer / Kunde / Cliente Commande / Order / Bestellung / Compras	
Description of the machine / Description of the machine / Beschreibung der Maschine / Descripción del equipo Accessoire lit image CODIPRO Lifting Equipment CODIPRO Accessoire de levage CODIPRO	
Type of annex and dimension / Ring type and dimension / Ringschraubring / Tipo de cáncamo y dimension DSR_M12	
Désignation / Designation / Beschreibung / Designación CMU WLL / Höchstbelastung / CMU 1000 Lbs = 0.4536 t	
Coefficient de sécurité / Safety Factor / Sicherheitsfaktor / Factor de seguridad WLL x	Force d'épreuve / Proof force / Statiklast / Fcrl a carga de prueba CMU / WLL x 2,5
Controlle anti-rupture / Anti-creaking / Rißprüfung / Control anti-creak 100 %	Tipo d'acciaio / Qualitative / Statistischer / Tipo de acero 2006 / 42 / CE-EN 1877-1 EN 10204 Certificat 3.1
Conforme aux Directives / In compliance with the Directives / Entspricht den Maschinen Richtlinien / Conforme a la directiva de máquinas / Tackle selon Normes / Tackle according to Standards / Después revisión técnica / Cumplimiento según la norma	
Modèle / Schackel / Schliel / Anillo / Axe / Bol / Schraube / Eje / Accessoire / Accessorio / Zubehör / Accesorio	
Les produits non certifiés sont certifiés pour une utilisation jusqu'à 10 000 kg. Unapproved products are certified for use up to 10 000 kg. Nicht geprüfte Produkte sind für den Einsatz zugelassen, wenn sie bis zu 10 000 kg belastet werden. Productos no certificados están certificados para un peso de hasta 10 000 kg.	
• Les produits doivent être utilisés conformément à toutes les recommandations émises dans le manuel d'utilisation et/ou les documents techniques. • The products must be used in accordance with all recommendations appearing in the use instructions and in technical documents. • Die Produkte müssen nach den Empfehlungen, welche der Gebrauchsanweisung oder sonstigen technischen Dokumentationen befolgen, verwendet werden. • Los productos deben ser utilizados conforme a todas las recomendaciones emitidas en el manual de usuario técnico.	
Toutes les certifications ont été effectuées conformément aux normes européennes en vigueur pour utilisation. All certificates were issued in accordance with the European standards in force for use. Alle Zertifikate wurden entsprechend den geltenden europäischen Normen für den Einsatz ausgestellt. Todos los certificados fueron emitidos de acuerdo con las normas europeas en vigor para el uso.	
Codiprolux ZA "Salzbaach" Wiltz Codiprolux ZA "Salzbaach" Wiltz Codiprolux ZA "Salzbaach" Wiltz	
Wiltz, Date : 24/05/17	

01.2018



www.codipro.net - info@codipro.net
25, Salzbaach - L-9559 WILTZ - Tél : +352 26 81 54 1 - Fax : +352 81 05 17

**USE RECOMMENDATIONS
ACCOMPANY :**

- Swivel lifting rings
- Fall protection anchorage points: PE.SEB / SS.PE.SEB
- Weld-on swivel lifting rings : WE.DSR / WE.DSS
- Lifting system for moulds up to 80 tons: SLM

**UNE NOTICE D'INSTRUCTIONS
ACCOMPAGNE :**

- Les anneaux de levage
- Les anneaux antichute pour la sécurité des personnes : PE.SEB / SS.PE.SEB
- Les anneaux articulés à souder : WE.DSR / WE.DSS
- Le système de levage pour moules jusqu'à 80t : SLM

**JEDER ANSCHRAUBWIRBEL
WIRD MIT EINER
GEBRAUCHSANWEISUNG
GELIEFERT :**

- Anschraubwirbel
- Absturzsichere Ringschrauben zur Personensicherung: PE.SEB / SS.PE.SEB
- Anschweißbare Wirbelringe: WE.DSR / WE.DSS
- Sonderhebevorrichtung zum Heben von Werkzeugen bis zu 80t: SLM

**UN MANUAL DE INSTRUCCIONES
ACOMPAÑA :**

- Los cáncamos giratorios articulados
- Los cáncamos giratorios anticaídas para la seguridad de las personas : PE.SEB / SS.PE.SEB
- Los cáncamos giratorios soldables : WE.DSR / WE.DSS
- El sistema de elevación para moldes hasta 80 toneladas : SLM



REVISION PROCEDURE

PROCÉDURE DE REMISE EN ÉTAT VERFAHREN ZUR INSTANDSETZUNG PROCEDIMIENTO PARA LA REVISIÓN

Oficiální prodejce:

PAVLÍNEK
VÁZACÍ PROSTŘEDKY

Šalounova 746/31
703 00 Ostrava - Vítkovice
www.pavlinek.cz

Tel.: +420 595 693 911
Fax: +420 595 693 958
E-mail: obchod@pavlinek.cz

CODIPRO ANALYZES YOUR SWIVEL LIFTING RINGS FOR FREE

CASE	CODIPRO'S ACTION
The ring does meet safety standards	CODIPRO will send it back to you with or without certificate of compliance (according to your decision).
The ring does NOT meet safety standards but can be repaired	CODIPRO will give you an estimation of the repair costs in order for a certificate of compliance to be issued. Once the quote has been accepted the ring will be repaired. If not, the ring will be sent back or destroyed.
The ring does NOT meet safety standards being irreparable or too old	CODIPRO will send it back to you or will destroy it in its premises.

CODIPRO PROCÈDE À L'ANALYSE GRATUITE DE VOS ANNEAUX DE LEVAGE

POSSIBILITÉ	RÉACTION DE CODIPRO
L'anneau est conforme	CODIPRO vous le renvoie avec ou sans certificat de conformité (selon votre choix).
L'anneau n'est pas conforme mais réparable	CODIPRO établit un devis de réparation ou de mise en conformité. Si vous acceptez le devis l'anneau est réparé sinon il est renvoyé ou détruit.
L'anneau n'est pas réparable ou trop ancien	CODIPRO vous le renvoie ou le détruit dans ses locaux.



CODIPRO FÜHRT DIE PRÜFUNG IHRER RINGSCHRAUBEN KOSTENLOS DURCH

MÖGLICHKEIT	REAKTION VON CODIPRO
Die Ringschraube ist konform	CODIPRO schickt Ihnen diese mit oder ohne Zertifikat zurück (nach Wunsch).
Die Ringschraube ist nicht konform, aber reparierbar	CODIPRO erstellt einen Kostenvoranschlag für die Reparatur oder die Anpassung an die Standards. Wenn Sie den Kostenvoranschlag akzeptieren, wird die Ringschraube repariert, anderenfalls wird sie zurück geschickt oder zerstört.
Die Ringschraube ist nicht reparierbar oder zu alt	CODIPRO schickt Ihnen diese zurück oder zerstört sie.

CODIPRO REvisa LOS CÁNCAMOS DE ELEVACIÓN SIN GASTOS ADICIONALES

CASO	ACCIÓN DE CODIPRO
El cáncamo sigue conforme	CODIPRO devuelve el cáncamo con o sin certificado de conformidad (a elegir).
El cáncamo ya no está conforme pero reparable	CODIPRO realiza un presupuesto para reparación o puesta en conformidad. Si usted lo acepta, reparamos el cáncamo si no, lo devolvemos o lo destruimos.
El cáncamo no es conforme, demasiado viejo o irreparable	CODIPRO lo devuelve o lo destruye en sus locales.

More information on request
Plus d'informations sur demande
Weitere Informationen auf Anfrage
Más información bajo solicitud

01.2018

CODIPRO
LIPA

www.codipro.net - info@codipro.net
25, Salzbaach - L-9559 WILTZ - Tél : +352 26 81 54 1 - Fax : +352 81 05 17

FIXATION TYPES

TYPES DE FIXATION BEFESTIGUNGSBEISPIELE TIPOS DE FIJACIÓN

Oficiální prodejce:

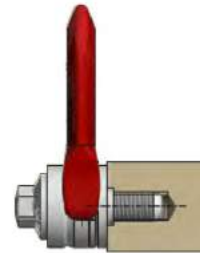
PAVLÍNEK
VÁZACÍ PROSTŘEDKY

Salounova 746/31
703 00 Ostrava - Vítkovice
www.pavlinek.cz

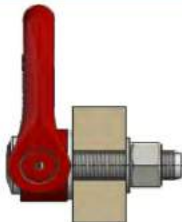
Tel.: +420 595 693 911
Fax: +420 595 693 958
E-mail: obchod@pavlinek.cz



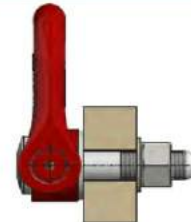
- Threaded swivel lifting ring
- Anneau mâle à visser
- Wirbelringschraube
- Cánkamo roscado macho



- Threaded swivel lifting ring with centring
- Anneau mâle à visser avec centrage
- Wirbelringschraube mit Zentrierung
- Cánkamo roscado con centrage



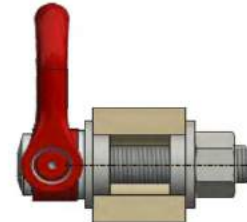
- Unthreaded hole with nut and washer
- Perçage lisse avec écrou et rondelle
- Glatte Bohrung mit Mutter und Scheibe
- Huevo liso con tuerca y arandela



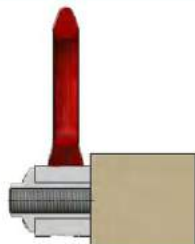
- Partially threaded hole with nut and washer
- Perçage partiellement fileté avec écrou et rondelle
- Bohrung mit Teilgewinde sowie Mutter und Scheibe
- Huevo en parte roscado con tuerca y arandela



- Partially threaded hole
- Trou lisse partiellement taraudé
- Bohrung mit Teilgewinde
- Huevo liso, parcialmente roscado



- Swivel lifting ring with double centring
- Anneau avec double centrage
- Wirbelringschrauben mit beidseitigen Zentrierscheiben
- Cánkamo articulado con doble centrage



- Female swivel lifting ring
- Anneau femelle à visser
- Wirbelringschraube mit Innengewinde
- Cánkamo articulado hembra



- Weld-on swivel lifting ring
- Anneau à souder
- Anschweißwirbel
- Cánkamo soldable

01.2018

Oficiální prodejce:

PAVLÍNEK
VÁZACÍ PROSTŘEDKY

Salounova 746/31
703 00 Ostrava - Vítkovice
www.pavlinek.cz

Tel.: +420 595 693 911
Fax: +420 595 693 958
E-mail: obchod@pavlinek.cz

LOAD ANGLE CHART / TABLEAU DE LEVAGE / HEBEWINKELTABELLE / TABLA DE LOS ANGULOS DE ELEVACIÓN

- DSR / FE.DSR
- DSS / FE.DSS
- MEGA.DSS / GIGA.DSS
- SEB / FE.SEB
- SS.DSR / SS.FE.DSR
- SS.DSS / SS.FE.DSS
- SS.SEB
- DSP
- DSH
- TSR

www.codipro.net


CODIPRO
LIPA

LOAD ANGLE
CHART

Oficiální prodejce:



Šalounova 746/31
703 00 Ostrava - Vítkovice
www.pavlinek.cz

Tel.: +420 595 693 911
Fax: +420 595 693 959
E-mail: obchod@pavlinek.cz

Oficiální prodejce:



Šalounova 746/31
703 00 Ostrava - Vítkovice
www.pavlinek.cz
Tel.: +420 595 693 911
Fax: +420 595 693 958
E-mail: obchod@pavlinek.cz

DSR / FE.DSR



4:1

METRIC THREADS	1		2		1		2		1		2		3 → 4	
	Number of rings	Lifting angle β	0°	90°	0°	90°	0° → 45°	45° → 60°	0° → 45°	45° → 60°	0° → 45°	45° → 60°	0° → 45°	45° → 60°
DSR M 5 UP	3		0,30	0,10	0,60	0,20	0,14	0,10	0,21	0,10	0,21	0,10	0,21	0,10
DSR M 6 UP	4		0,40	0,20	0,80	0,40	0,28	0,20	0,42	0,20	0,42	0,20	0,42	0,20
DSR M 8 UP / FE.DSR M8 UP	6		1,00	0,50	2,00	1,00	0,70	0,50	1,05	0,50	1,05	0,50	1,05	0,50
DSR M 10 UP / FE.DSR M10 UP	10		1,50	0,90	3,00	1,80	1,26	0,90	1,89	0,90	1,89	0,90	1,89	0,90
DSR M 12 UP / FE.DSR M12 UP	15		1,50	1,30	3,00	2,60	1,82	1,30	2,73	1,30	2,73	1,30	2,73	1,30
DSR M 14 UP / FE.DSR M14 UP	30		2,60	1,80	5,20	3,60	2,52	1,80	3,78	1,80	3,78	1,80	3,78	1,80
DSR M 16 UP / FE.DSR M16 UP	50		2,80	2,30	5,60	4,60	3,22	2,30	4,83	2,30	4,83	2,30	4,83	2,30
DSR M 18 UP / FE.DSR M18 UP	70		2,50	2,30	5,00	4,60	3,22	2,30	4,83	2,30	4,83	2,30	4,83	2,30
DSR M 20 2x5 UP / FE.DSR M20 UP	100		2,80	2,50	5,60	5,00	3,50	2,50	5,25	2,50	5,25	2,50	5,25	2,50
DSR M 20 3x2 UP	100		3,20	3,20	6,40	6,40	4,48	3,20	6,72	3,20	6,72	3,20	6,72	3,20
DSR M 22 UP / FE.DSR M 22 UP	120		6,00	4,50	12,00	9,00	6,30	4,50	9,45	4,50	9,45	4,50	9,45	4,50
DSR M 24 UP	160		6,50	5,50	13,00	11,00	7,70	5,50	11,55	5,50	11,55	5,50	11,55	5,50
DSR M 27 UP	200		6,50	6,00	13,00	12,00	8,40	6,00	12,60	6,00	12,60	6,00	12,60	6,00
DSR M 30 6x3 UP	250		6,50	6,30	13,00	12,60	8,82	6,30	13,23	6,30	13,23	6,30	13,23	6,30
DSR M 30 8t UP	250		9,00	8,00	18,00	16,00	11,20	8,00	16,80	8,00	16,80	8,00	16,80	8,00
DSR M 36 UP	320		10,00	8,50	20,00	17,00	11,90	8,50	17,85	8,50	17,85	8,50	17,85	8,50
DSR M 42 UP	400		10,00	9,00	20,00	18,00	12,60	9,00	18,90	9,00	18,90	9,00	18,90	9,00

max. load in t

4:1

UNC THREADS	1		2		1		2		1		2		3 → 4	
	Number of rings	Lifting angle β	0°	90°	0°	90°	0° → 45°	45° → 60°	0° → 45°	45° → 60°	0° → 45°	45° → 60°	0° → 45°	45° → 60°
DSR U 025 UP / FE.DSR U 025 UP	3		900	450	1,800	900	630	450	945	450	945	450	945	450
DSR U 516 UP / FE.DSR U 516 UP	5		2,200	1,200	4,400	2,400	1,680	1,200	2,520	1,200	2,520	1,200	2,520	1,200
DSR U 038 UP / FE.DSR U 038 UP	8		3,200	1,600	6,400	3,200	2,240	1,600	3,360	1,600	3,360	1,600	3,360	1,600
DSR U 050 UP / FE.DSR U 050 UP	12		3,400	2,800	6,800	5,600	3,920	2,800	5,880	2,800	5,880	2,800	5,880	2,800
DSR U 058 UP / FE.DSR U 058 UP	40		5,900 / 6,200	4,900	11,800 / 12,400	9,800	6,860	4,900	10,290	4,900	10,290	4,900	10,290	4,900
DSR U 075 UP / FE.DSR U 075 UP	80		6,200	5,250	12,400	10,500	7,350	5,250	11,025	5,250	11,025	5,250	11,025	5,250
DSR U 078 UP / FE.DSR U 078 UP	90		13,500	9,800	27,000	19,600	13,720	9,800	20,580	9,800	20,580	9,800	20,580	9,800
DSR U 100 UP	125		13,500	12,500	27,000	25,000	17,500	12,500	26,250	12,500	26,250	12,500	26,250	12,500
DSR U 118 UP	160		13,500	13,000	27,000	26,000	18,200	13,000	27,300	13,000	27,300	13,000	27,300	13,000
DSR U 125 UP	200		13,500	13,500	27,000	27,000	18,900	13,500	28,350	13,500	28,350	13,500	28,350	13,500

max. load in lbs

LOAD ANGLE CHART

β max : 60°
L : Load



DSR / FE.DSR

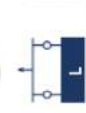
Oficiální prodejce:

PAVLÍNEK
VÁZACÍ PROSTŘEDKY

Šatounova 746/31
703 00 Ostrava - Vítkovice
www.pavlinek.cz
Tel.: +420 595 693 911
Fax: +420 595 693 958
E-mail: obchod@pavlinek.cz

LOAD ANGLE CHART

β max : 60°
L : Load



5:1

Number of rings	1		2		2		3 → 4			
	0°	90°	0°	90°	0° → 45°	46° → 60°	Asymmetric	0° → 45°	46° → 60°	Asymmetric
DSR M 5 UP	0,20	0,07	0,40	0,14	0,10	0,07	0,07	0,15	0,07	0,07
DSR M 6 UP	0,30	0,15	0,60	0,30	0,21	0,15	0,15	0,32	0,15	0,15
DSR M 8 UP / FE.DSR M 8 UP	0,80	0,40	1,60	0,80	0,56	0,40	0,40	0,84	0,40	0,40
DSR M 10 UP / FE.DSR M 10 UP	1,30	0,70	2,60	1,40	0,98	0,70	0,70	1,47	0,70	0,70
DSR M 12 UP / FE.DSR M 12 UP	1,50	1,05	3,00	2,10	1,47	1,05	1,05	2,21	1,05	1,05
DSR M 14 UP / FE.DSR M 14 UP	2,50	1,40	5,00	2,80	1,96	1,40	1,40	2,94	1,40	1,40
DSR M 16 UP / FE.DSR M 16 UP	2,70	2,00	5,40	4,00	2,80	2,00	2,00	4,20	2,00	2,00
DSR M 18 UP / FE.DSR M 18 UP	2,50	2,30	5,00	4,60	3,22	2,30	2,30	4,83	2,30	2,30
DSR M 20 2t5 UP / FE.DSR M 20 UP	2,80	2,50	5,60	5,00	3,50	2,50	2,50	5,25	2,50	2,50
DSR M 20 3t2 UP	3,20	2,90	6,40	5,80	4,06	2,90	2,90	6,09	2,90	2,90
DSR M 22 UP / FE.DSR M 22 UP	5,50	3,50	11,00	7,00	4,90	3,50	3,50	7,35	3,50	3,50
DSR M 24 UP	6,00	4,40	12,00	8,80	6,16	4,40	4,40	9,24	4,40	4,40
DSR M 27 UP	6,00	5,70	12,00	11,40	7,98	5,70	5,70	11,97	5,70	5,70
DSR M 30 6t3 UP	6,30	6,00	12,60	12,00	8,40	6,00	6,00	12,60	6,00	6,00
DSR M 30 8t UP	9,00	6,70	18,00	13,40	9,38	6,70	6,70	14,07	6,70	6,70
DSR M 36 UP	9,00	8,00	18,00	16,00	11,20	8,00	8,00	16,80	8,00	8,00
DSR M 42 UP	9,50	8,50	19,00	17,00	11,90	8,50	8,50	17,85	8,50	8,50

max. load in t

5:1

Number of rings	1		2		2		3 → 4			
	0°	90°	0°	90°	0° → 45°	46° → 60°	Asymmetric	0° → 45°	46° → 60°	Asymmetric
DSR U 025 UP / FE.DSR U 025 UP	650	330	1.300	660	462	330	330	693	330	330
DSR U 516 UP / FE.DSR U 516 UP	1.800	1.000	3.600	2.000	1.400	1.000	1.000	2.100	1.000	1.000
DSR U 038 UP / FE.DSR U 038 UP	2.500	1.300	5.000	2.600	1.820	1.300	1.300	2.730	1.300	1.300
DSR U 050 UP / FE.DSR U 050 UP	3.000	2.400	6.000	4.800	3.360	2.400	2.400	5.040	2.400	2.400
DSR U 058 UP / FE.DSR U 058 UP	5.900	3.900	11.800	7.800	5.460	3.900	3.900	8.190	3.900	3.900
DSR U 075 UP / FE.DSR U 075 UP	5.900	5.250	11.800	10.500	7.350	5.250	5.250	11.025	5.250	5.250
DSR U 078 UP / FE.DSR U 078 UP	13.500	7.900	27.000	15.800	11.060	7.900	7.900	16.590	7.900	7.900
DSR U 100 UP	13.500	11.200	27.000	22.400	15.680	11.200	11.200	23.520	11.200	11.200
DSR U 118 UP	13.500	11.500	27.000	23.000	16.100	11.500	11.500	24.150	11.500	11.500
DSR U 125 UP	13.500	13.500	27.000	27.000	18.900	13.500	13.500	28.350	13.500	13.500

max. load in lbs

01.2018

CODIPRO
ALIPA

www.codipro.net - info@codipro.net
25, Salzbaach - L-9559 WILTZ - Tél. : +352 26 81 54 1 - Fax : +352 81 05 17

DSS / FE.DSS



Oficiální prodejce:

PAVLÍNEK
VAZACÍ PROSTŘEDKY

Šalounova 746/21
703 00 Ostrava – Vítkovice
www.pavlinek.cz

Tel.: +420 595 683 911

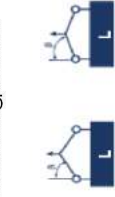
Fax: +420 595 683 958

E-mail: obchod@pavlinek.cz

LOAD ANGLE CHART

β max : 60°

L : Load



4:1

METRIC THREADS

Number of rings	0°		90°		0° → 45°		46° → 60°		0° → 45°		46° → 60°		0° → 45°		46° → 60°	
	1	2	1	2	0° → 45°	Asymmetric	0° → 45°	Asymmetric	0° → 45°	Asymmetric	0° → 45°	Asymmetric	0° → 45°	Asymmetric	0° → 45°	Asymmetric
DSS M 24 UP / FE.DSS M 24 UP	9,00	18,00	5,50	11,00	7,70	5,50	11,55	5,50	11,55	5,50	11,55	5,50	11,55	5,50	11,55	5,50
FE.DSS M 27 UP	10,00	20,00	6,50	13,00	9,10	6,50	13,65	6,50	13,65	6,50	13,65	6,50	13,65	6,50	13,65	6,50
DSS M 30 UP / FE.DSS M 30 UP	14,00 / 12,00	28,00 / 24,00	8,50	17,00	11,90	8,50	17,85	8,50	17,85	8,50	17,85	8,50	17,85	8,50	17,85	8,50
DSS M 33 UP / FE.DSS M 33 UP	14,50	29,00	10,50	21,00	14,70	10,50	22,05	10,50	22,05	10,50	22,05	10,50	22,05	10,50	22,05	10,50
DSS M 36 UP / FE.DSS M 36 UP	15,00	30,00	12,00	24,00	16,80	12,00	25,20	12,00	25,20	12,00	25,20	12,00	25,20	12,00	25,20	12,00
DSS M 36X3 UP	15,00	30,00	12,00	24,00	16,80	12,00	25,20	12,00	25,20	12,00	25,20	12,00	25,20	12,00	25,20	12,00
DSS M 39 UP / FE.DSS M 39 UP	17,00	34,00	14,00	28,00	19,60	14,00	29,40	14,00	29,40	14,00	29,40	14,00	29,40	14,00	29,40	14,00
DSS M 42 UP / FE.DSS M 42 UP	15,50 / 19,00	31,00 / 38,00	15,00	30,00	21,00	15,00	31,50	15,00	31,50	15,00	31,50	15,00	31,50	15,00	31,50	15,00
DSS M 42X3 UP	15,50	31,00	15,00	30,00	21,00	15,00	31,50	15,00	31,50	15,00	31,50	15,00	31,50	15,00	31,50	15,00
DSS M 45 UP / FE.DSS M 45 UP	15,00	30,00	16,00	32,00	22,40	16,00	33,60	16,00	33,60	16,00	33,60	16,00	33,60	16,00	33,60	16,00
DSS M 48 UP / FE.DSS M 48 UP	22,00	44,00	20,00	40,00	28,00	20,00	42,00	20,00	42,00	20,00	42,00	20,00	42,00	20,00	42,00	20,00
DSS M 48X3 UP	22,00	44,00	20,00	40,00	28,00	20,00	42,00	20,00	42,00	20,00	42,00	20,00	42,00	20,00	42,00	20,00
DSS M 48X4 UP	22,00	44,00	20,00	40,00	28,00	20,00	42,00	20,00	42,00	20,00	42,00	20,00	42,00	20,00	42,00	20,00
DSS M 52 UP / FE.DSS M 52 UP	23,00	46,00	20,00 / 21,00	40,00 / 42,00	28,00 / 29,40	20,00 / 21,00	42,00 / 44,10	20,00 / 21,00	42,00 / 44,10	20,00 / 21,00	42,00 / 44,10	20,00 / 21,00	42,00 / 44,10	20,00 / 21,00	42,00 / 44,10	20,00 / 21,00
DSS M 56 UP	25,00	50,00	25,00	50,00	35,00	25,00	52,50	25,00	52,50	25,00	52,50	25,00	52,50	25,00	52,50	25,00
DSS M 56X4 UP	25,00	50,00	25,00	50,00	35,00	25,00	52,50	25,00	52,50	25,00	52,50	25,00	52,50	25,00	52,50	25,00
DSS M 64 UP	32,00	64,20	32,00	64,20	44,94	32,00	67,41	32,00	67,41	32,00	67,41	32,00	67,41	32,00	67,41	32,00
DSS M 64X4 UP	32,00	64,20	32,00	64,20	44,94	32,00	67,41	32,00	67,41	32,00	67,41	32,00	67,41	32,00	67,41	32,00
DSS M 72 UP	25,00	50,00	25,00	50,00	35,00	25,00	52,50	25,00	52,50	25,00	52,50	25,00	52,50	25,00	52,50	25,00
DSS M 72X4 UP	25,00	50,00	25,00	50,00	35,00	25,00	52,50	25,00	52,50	25,00	52,50	25,00	52,50	25,00	52,50	25,00
DSS M 80 UP	32,00	64,20	32,00	64,20	44,94	32,00	67,41	32,00	67,41	32,00	67,41	32,00	67,41	32,00	67,41	32,00
DSS M 90 UP	32,00	64,20	32,00	64,20	44,94	32,00	67,41	32,00	67,41	32,00	67,41	32,00	67,41	32,00	67,41	32,00
DSS M 100 UP	32,00	64,20	32,00	64,20	44,94	32,00	67,41	32,00	67,41	32,00	67,41	32,00	67,41	32,00	67,41	32,00

max. load in t

4:1

UNC THREADS

Number of rings	0°		90°		0° → 45°		46° → 60°		0° → 45°		46° → 60°		0° → 45°		46° → 60°	
	1	2	1	2	0° → 45°	Asymmetric	0° → 45°	Asymmetric	0° → 45°	Asymmetric	0° → 45°	Asymmetric	0° → 45°	Asymmetric	0° → 45°	Asymmetric
DSS U 100 UP / FE.DSS U 100 UP	19,000	38,000	13,000	26,000	18,200	13,000	27,300	13,000	27,300	13,000	27,300	13,000	27,300	13,000	27,300	13,000
DSS U 125 UP / FE.DSS U 125 UP	30,000	60,000	19,000	38,000	26,600	19,000	39,900	19,000	39,900	19,000	39,900	19,000	39,900	19,000	39,900	19,000
DSS U 138 UP / FE.DSS U 138 UP	32,000	64,000	22,000	44,000	30,800	22,000	46,200	22,000	46,200	22,000	46,200	22,000	46,200	22,000	46,200	22,000
DSS U 150 UP / FE.DSS U 150 UP	33,000	66,000	27,000	54,000	37,800	27,000	56,700	27,000	56,700	27,000	56,700	27,000	56,700	27,000	56,700	27,000
DSS U 175 UP	33,000	66,000	33,000	66,000	46,200	33,000	69,300	33,000	69,300	33,000	69,300	33,000	69,300	33,000	69,300	33,000
DSS U 200 UP / FE.DSS U 200 UP	50,000	100,000	50,000	100,000	70,000	50,000	105,000	50,000	105,000	50,000	105,000	50,000	105,000	50,000	105,000	50,000
DSS U 250 UP	55,000	110,000	55,000	110,000	77,000	55,000	115,500	55,000	115,500	55,000	115,500	55,000	115,500	55,000	115,500	55,000

Max. load in lbs

Oficiální prodejce:



Salounova 746/31
703 00 Ostrava - Vítkovice
www.pavlinek.cz
Tel.: +420 595 693 911
Fax: +420 595 693 958
E-mail: obchod@pavlinek.cz

DSS / FE.DSS



LOAD ANGLE CHART

β max : 60°
L : Load

5:1

MTRIC THREADS	1		2		1		2		Asymmetric		3 → 4	
	0°	90°	0°	90°	0° → 45°	46° → 60°	0° → 45°	46° → 60°	0° → 45°	46° → 60°	0° → 45°	46° → 60°
DSS M 24 UP / FE.DSS M 24 UP	160	9,00	18,00	4,50	6,30	4,50	9,00	4,50	9,45	4,50	9,45	4,50
FE.DSS M 27 UP	200	10,00	20,00	5,20	7,28	5,20	10,40	5,20	10,92	5,20	10,92	5,20
DSS M 30 UP / FE.DSS M 30 UP	250	14,00/12,00	28,00 / 24,00	7,70 / 7,50	10,78 / 10,50	7,70 / 7,50	15,40 / 15,00	7,70 / 7,50	16,17 / 15,75	7,70 / 7,50	16,17 / 15,75	7,70 / 7,50
DSS M 33 UP / FE.DSS M 33 UP	250	14,50	29,00	8,50 / 8,00	11,90 / 11,20	8,50 / 8,00	17,00 / 16,00	8,50 / 8,00	17,85 / 16,80	8,50 / 8,00	17,85 / 16,80	8,50 / 8,00
DSS M 36 UP / FE.DSS M 36 UP	320	15,00	30,00	11,00 / 10,00	15,40 / 14,00	11,00 / 10,00	22,00 / 20,00	11,00 / 10,00	23,10 / 21,00	11,00 / 10,00	23,10 / 21,00	11,00 / 10,00
DSS M 36x3 UP	320	15,00	30,00	11,00	15,40	11,00	22,00	11,00	23,10	11,00	23,10	11,00
DSS M 39 UP / FE.DSS M 39 UP	320	15,00	30,00	12,00	16,80	12,00	24,00	12,00	25,20	12,00	25,20	12,00
DSS M 42 UP / FE.DSS M 42 UP	400	15,00	30,00	13,00	18,20	13,00	26,00	13,00	27,30	13,00	27,30	13,00
DSS M 42x3 UP	400	15,00	30,00	13,00	18,20	13,00	26,00	13,00	27,30	13,00	27,30	13,00
DSS M 45 UP / FE.DSS M 45 UP	400	15,00	30,00	14,50	20,30	14,50	29,00	14,50	30,45	14,50	30,45	14,50
DSS M 48 UP / FE.DSS M 48 UP	600	22,00	44,00	17,00	23,80	17,00	34,00	17,00	35,70	17,00	35,70	17,00
DSS M 48x3 UP	600	22,00	44,00	17,00	23,80	17,00	34,00	17,00	35,70	17,00	35,70	17,00
DSS M 48x4 UP	600	22,00	44,00	17,00	23,80	17,00	34,00	17,00	35,70	17,00	35,70	17,00
DSS M 52 UP / FE.DSS M 52 UP	600	23,00	46,00	19,00	26,60	19,00	38,00	19,00	39,90	19,00	39,90	19,00
DSS M 56 UP	600	25,00	50,00	22,00	30,80	22,00	44,00	22,00	46,20	22,00	46,20	22,00
DSS M 56x4 UP	600	25,00	50,00	22,00	30,80	22,00	44,00	22,00	46,20	22,00	46,20	22,00
DSS M 64 UP	600	25,00	50,00	25,00	35,00	25,00	50,00	25,00	52,50	25,00	52,50	25,00
DSS M 64x4 UP	600	25,00	50,00	25,00	35,00	25,00	50,00	25,00	52,50	25,00	52,50	25,00
DSS M 72 UP	600	25,00	50,00	22,00	30,80	22,00	44,00	22,00	46,20	22,00	46,20	22,00
DSS M 72x4 UP	600	25,00	50,00	22,00	30,80	22,00	44,00	22,00	46,20	22,00	46,20	22,00
DSS M 80 UP	600	25,00	50,00	25,00	35,00	25,00	50,00	25,00	52,50	25,00	52,50	25,00
DSS M 90 UP	600	25,00	50,00	25,00	35,00	25,00	50,00	25,00	52,50	25,00	52,50	25,00
DSS M 100 UP	600	25,00	50,00	25,00	35,00	25,00	50,00	25,00	52,50	25,00	52,50	25,00

max. load in t

5:1

UNC THREADS	1		2		1		2		Asymmetric		3 → 4	
	0°	90°	0°	90°	0° → 45°	46° → 60°	0° → 45°	46° → 60°	0° → 45°	46° → 60°	0° → 45°	46° → 60°
DSS U 100 UP / FE.DSS U 100 UP	125	19,000	38,000	10,000	14,000	10,000	20,000	10,000	21,000	10,000	21,000	10,000
DSS U 125 UP / FE.DSS U 125 UP	200	30,000	60,000	15,000	21,000	15,000	30,000	15,000	31,500	15,000	31,500	15,000
DSS U 138 UP / FE.DSS U 138 UP	240	31,000	62,000	21,000	29,400	21,000	42,000	21,000	44,100	21,000	44,100	21,000
DSS U 150 UP / FE.DSS U 150 UP	240	31,000	62,000	22,000	30,800	22,000	44,000	22,000	46,200	22,000	46,200	22,000
DSS U 175 UP	300	33,000	66,000	27,000	37,800	27,000	54,000	27,000	56,700	27,000	56,700	27,000
DSS U 200 UP / FE.DSS U 200 UP	450	50,000	100,000	38,000	53,200	38,000	76,000	38,000	79,800	38,000	79,800	38,000
DSS U 250 UP	450	55,000	110,000	48,500	67,900	48,500	97,000	48,500	101,850	48,500	101,850	48,500

max. load in lbs

Oficiální prodejce:

PAVLÍNEK
VAZACÍ PROSTŘEDKY

Šalounova 746/31
703 00 Ostrava - Vítkovice
www.pavlinek.cz
Tel.: +420 595 693 911
Fax: +420 595 693 968
E-mail: obchod@pavlinek.cz



MEGA.DSS

LOAD ANGLE CHART

β max : 60°
L : Load

4:1

Torque (Nm)	1		2		1		2		Asymmetric		3 → 4	
	0°	90°	0°	90°	0° → 45°	46° → 60°	0° → 45°	46° → 60°	0° → 45°	46° → 60°	0° → 45°	46° → 60°
600	33,00	33,00	66,00	66,00	46,20	33,00	69,30	33,00	69,30	33,00	33,00	33,00
700	35,00	35,00	70,00	70,00	49,00	35,00	73,50	35,00	73,50	35,00	35,00	35,00
800	40,00	40,00	80,00	80,00	56,00	40,00	84,00	40,00	84,00	40,00	40,00	40,00
900	45,00	45,00	90,00	90,00	63,00	45,00	94,50	45,00	94,50	45,00	45,00	45,00
1000	60,00	60,00	120,00	120,00	84,00	60,00	126,00	60,00	126,00	60,00	60,00	60,00

max. load in t

4:1

Torque (ft-lb)	1		2		1		2		Asymmetric		3 → 4	
	0°	90°	0°	90°	0° → 45°	46° → 60°	0° → 45°	46° → 60°	0° → 45°	46° → 60°	0° → 45°	46° → 60°
520	75,000	75,000	150,000	150,000	105,000	75,000	157,500	75,000	157,500	75,000	75,000	75,000
520	80,000	80,000	160,000	160,000	112,000	80,000	168,000	80,000	168,000	80,000	80,000	80,000
590	90,000	90,000	180,000	180,000	126,000	90,000	189,000	90,000	189,000	90,000	90,000	90,000
665	95,000	95,000	190,000	190,000	133,000	95,000	199,500	95,000	199,500	95,000	95,000	95,000
740	100,000	100,000	200,000	200,000	140,000	100,000	210,000	100,000	210,000	100,000	100,000	100,000
740	110,000	110,000	220,000	220,000	154,000	110,000	231,000	110,000	231,000	110,000	110,000	110,000

max. load in lbs

MEGA.DSS / GIGA.DSS

LOAD ANGLE CHART

β max : 60°
L : Load



Number of rings Lifting angle β	1		2		2		2		3 → 4		
	0°	90°	0°	90°	0° → 45°	46° → 60°	Asymmetric	0° → 45°	46° → 60°	Asymmetric	
METRIC THREADS											
MEGA.DSS M 64 UP	26,00	26,00	52,00	52,00	36,40	26,00	26,00	54,60	26,00	26,00	
MEGA.DSS M 72 UP	28,00	28,00	56,00	56,00	39,20	28,00	28,00	58,80	28,00	28,00	
MEGA.DSS M 72x4 UP	28,00	28,00	56,00	56,00	39,20	28,00	28,00	58,80	28,00	28,00	
MEGA.DSS M 80 UP	32,00	32,00	64,00	64,00	44,80	32,00	32,00	67,20	32,00	32,00	
MEGA.DSS M 90 UP	36,00	36,00	72,00	72,00	50,40	36,00	36,00	75,60	36,00	36,00	
MEGA.DSS M 100 UP	48,00	48,00	96,00	96,00	67,20	48,00	48,00	100,80	48,00	48,00	
GIGA.DSS M 150 UP	125,00	125,00	250,00	250,00	175,00	125,00	125,00	262,50	125,00	125,00	
GIGA.DSS*Q M 150 UP	125,00	125,00	250,00	250,00	175,00	125,00	125,00	262,50	125,00	125,00	

Max. load in t

5:1

Number of rings Lifting angle β	1		2		2		2		3 → 4	
	0°	90°	0°	90°	0° → 45°	46° → 60°	Asymmetric	0° → 45°	46° → 60°	Asymmetric
UNC THREADS										
MEGA.DSS U 275 UP	60,000	60,000	120,000	120,000	84,000	60,000	60,000	126,000	60,000	60,000
MEGA.DSS U 300 UP	64,000	64,000	128,000	128,000	89,600	64,000	64,000	134,400	64,000	64,000
MEGA.DSS U 325 UP	72,000	72,000	144,000	144,000	100,800	72,000	72,000	151,200	72,000	72,000
MEGA.DSS U 350 UP	76,000	76,000	152,000	152,000	106,400	76,000	76,000	159,600	76,000	76,000
MEGA.DSS U 375 UP	80,000	80,000	160,000	160,000	112,000	80,000	80,000	168,000	80,000	80,000
MEGA.DSS U 400 UP	88,000	88,000	176,000	176,000	123,200	88,000	88,000	184,800	88,000	88,000

Max. load in lbs

5:1

Oficiální prodejce:



Šalounova 746/31
703 00 Ostrava - Vítkovice
www.pavlinek.cz

Tel.: +420 595 693 911
Fax: +420 595 693 958
E-mail: obchod@pavlinek.cz

Oficiální prodejce:



Salounova 746/31
703 00 Ostrava - Vítkovice
www.pavlinek.cz
Tel.: +420 595 693 911
Fax: +420 595 693 958
E-mail: obchod@pavlinek.cz

SEB / FE.SEB



LOAD ANGLE CHART

β max : 60°
L : Load

4:1

METRIC THREADS	Number of rings		Lifting angle β		Torque (Nm)		1		2		3 → 4		
	1	2	0°	90°	0°	90°	0° → 45°	90°	46° → 60°	0° → 45°	46° → 60°	Asymmetric	Asymmetric
SEB M 8 UP / FE.SEB M 8 UP	0,80	1,60	1,60	0,50	0,50	1,00	0,70	1,00	0,50	0,50	1,05	0,50	0,50
SEB M 10 UP / FE.SEB M 10 UP	1,60	3,20	3,20	0,70	0,70	1,40	0,98	1,40	0,70	0,70	1,47	0,70	0,70
SEB M 12 UP / FE.SEB M 12 UP	1,90	3,80	3,80	0,90	0,90	1,80	1,26	1,80	0,90	0,90	1,89	0,90	0,90
SEB M 16 UP / FE.SEB M 16 UP	3,20	6,40	6,40	1,80	1,80	3,60	2,52	3,60	1,80	1,80	3,78	1,80	1,80
SEB M 20 UP / FE.SEB M 20 UP	6,50	13,00	13,00	2,70	2,70	5,40	3,78	5,40	2,70	2,70	5,67	2,70	2,70
SEB M 24 318 UP	8,00	16,00	16,00	3,80	3,80	7,60	5,32	7,60	3,80	3,80	7,98	3,80	3,80
SEB M 24 412 UP / FE.SEB M 24 UP	7,00	14,00	14,00	4,20	4,20	8,40	5,88	8,40	4,20	4,20	8,82	4,20	4,20
SEB M 30 UP / FE.SEB M 30 UP	10,00	20,00	20,00	6,30	6,30	12,60	8,82	12,60	6,30	6,30	13,23	6,30	6,30
SEB M 36 UP / FE.SEB M 36 UP	12,00	24,00	24,00	11,00	11,00	22,00	15,40	22,00	11,00	11,00	23,10	11,00	11,00
SEB M 42 UP	15,00	30,00	30,00	15,00	15,00	30,00	21,00	30,00	15,00	15,00	31,50	15,00	15,00
SEB M 48 UP	18,00	36,00	36,00	16,00	16,00	32,00	22,40	32,00	16,00	16,00	33,60	16,00	16,00

max. load in t

4:1

UNC THREADS	Number of rings		Lifting angle β		Torque (ft-lb)		1		2		3 → 4		
	1	2	0°	90°	0°	90°	0° → 45°	90°	46° → 60°	0° → 45°	46° → 60°	Asymmetric	
SEB U 038 UP / FE.SEB U 038 UP	3,500	7,000	7,000	1,500	1,500	3,000	2,100	3,000	1,500	1,500	3,150	1,500	1,500
SEB U 050 UP / FE.SEB U 050 UP	4,200	8,400	8,400	1,950	1,950	3,900	2,730	3,900	1,950	1,950	4,095	1,950	1,950
SEB U 058 UP / FE.SEB U 058 UP	7,000	14,000	14,000	4,000	4,000	8,000	5,600	8,000	4,000	4,000	8,400	4,000	4,000
SEB U 075 UP / FE.SEB U 075 UP	15,000	30,000	30,000	5,900	5,900	11,800	8,260	11,800	5,900	5,900	12,390	5,900	5,900
SEB U 100 UP / FE.SEB U 100 UP	15,000	30,000	30,000	9,300	9,300	18,600	13,020	18,600	9,300	9,300	19,530	9,300	9,300
SEB U 125 UP / FE.SEB U 125 UP	22,000	44,000	44,000	13,800	13,800	27,600	19,320	27,600	13,800	13,800	28,980	13,800	13,800
SEB U 150 UP	25,000	50,000	50,000	25,000	25,000	50,000	35,000	50,000	25,000	25,000	52,500	25,000	25,000

max. load in lbs



www.codipro.net - info@codipro.net
25, Salzbaach - L-9559 WILTZ - Tél. : +352 26 81 54 1 - Fax : +352 81 05 17

Oficiální prodejce:

PAVLÍNEK
VÁZACÍ PROSTŘEDKY

Salounova 746/31
703 00 Ostrava - Vítkovice
www.pavlinek.cz

Tel.: +420 595 693 911
Fax: +420 595 693 988
E-mail: obchod@pavlinek.cz

SEB / FE.SEB



LOAD ANGLE CHART

β max : 60°
L : Load



METRIC THREADS	1		2		1		2		1		2		3 → 4	
	0°		0°		90°		90°		0° → 45°		46° → 60°		Asymmetric	
SEB M 8 UP / FE.SEB M 8 UP	0,70	1,40	0,40	0,80	0,40	0,56	0,40	0,40	0,40	0,84	0,40	0,40	0,40	0,40
SEB M 10 UP / FE.SEB M 10 UP	1,20	2,40	0,50	1,00	0,50	0,70	0,50	0,50	0,50	1,05	0,50	0,50	0,50	0,50
SEB M 12 UP / FE.SEB M 12 UP	1,70	3,40	0,80	1,60	0,80	1,12	0,80	0,80	0,80	1,68	0,80	0,80	0,80	0,80
SEB M 16 UP / FE.SEB M 16 UP	3,20	6,40	1,40	2,80	1,40	1,96	1,40	1,40	1,40	2,94	1,40	1,40	1,40	1,40
SEB M 20 UP / FE.SEB M 20 UP	5,00	10,00	2,00	4,00	2,00	2,80	2,00	2,00	2,00	4,20	2,00	2,00	2,00	2,00
SEB M 24 318 UP	6,30	12,60	3,20	6,40	3,20	4,48	3,20	3,20	3,20	6,72	3,20	3,20	3,20	3,20
SEB M 24 412 UP / FE.SEB M 24 UP	7,00	14,00	3,40	6,80	3,40	4,76	3,40	3,40	3,40	7,14	3,40	3,40	3,40	3,40
SEB M 30 UP / FE.SEB M 30 UP	8,50	17,00	5,50	11,00	5,50	7,70	5,50	5,50	5,50	11,55	5,50	5,50	5,50	5,50
SEB M 36 UP / FE.SEB M 36 UP	12,00	24,00	9,00	18,00	9,00	12,60	9,00	9,00	9,00	18,90	9,00	9,00	9,00	9,00
SEB M 42 UP	12,00	24,00	12,00	24,00	12,00	16,80	12,00	12,00	12,00	25,20	12,00	12,00	12,00	12,00
SEB M 48 UP	15,00	30,00	15,00	30,00	15,00	21,00	15,00	15,00	15,00	31,50	15,00	15,00	15,00	15,00

max. load in t

5:1

UNC THREADS	1		2		1		2		1		2		3 → 4	
	0°		0°		90°		90°		0° → 45°		46° → 60°		Asymmetric	
SEB U 038 UP / FE.SEB U 038 UP	2,800	5,600	1,200	2,400	1,200	1,680	1,200	1,200	1,200	2,520	1,200	1,200	1,200	1,200
SEB U 050 UP / FE.SEB U 050 UP	3,800	7,600	1,800	3,600	1,800	2,520	1,800	1,800	1,800	3,780	1,800	1,800	1,800	1,800
SEB U 058 UP / FE.SEB U 058 UP	7,000	14,000	3,200	6,400	3,200	4,480	3,200	3,200	3,200	6,720	3,200	3,200	3,200	3,200
SEB U 075 UP / FE.SEB U 075 UP	12,000	24,000	4,750	9,500	4,750	6,650	4,750	4,750	4,750	9,975	4,750	4,750	4,750	4,750
SEB U 100 UP / FE.SEB U 100 UP	15,000	30,000	7,500	15,000	7,500	10,500	7,500	7,500	7,500	15,750	7,500	7,500	7,500	7,500
SEB U 125 UP / FE.SEB U 125 UP	19,000	38,000	12,200	24,400	12,200	17,080	12,200	12,200	12,200	25,620	12,200	12,200	12,200	12,200
SEB U 150 UP	25,000	50,000	20,000	40,000	20,000	28,000	20,000	20,000	20,000	42,000	20,000	20,000	20,000	20,000

max. load in lbs

5:1

CODIPRO
ALIPA

www.codipro.net - info@codipro.net
25, Salzbaach - L-9559 WILTZ - Tél. : +352 26 81 54 1 - Fax : +352 81 05 17

SS.DSR / SS.FE.DSR

LOAD ANGLE CHART

β max : 60°
L : Load



4:1

METRIC THREADS

Number of rings	1		2		2		2		3 → 4	
	0°	90°	0°	90°	0° → 45°	46° → 60°	Asymmetric	0° → 45°	46° → 60°	Asymmetric
SS.DSR M 6	0,25	0,15	0,50	0,30	0,21	0,15	0,15	0,31	0,15	0,15
SS.DSR M 8 / SS.FE.DSR M 8	0,50	0,30	1,00	0,60	0,42	0,30	0,30	0,63	0,30	0,30
SS.DSR M 10 / SS.FE.DSR M 10	0,90	0,50	1,80	1,00	0,70	0,50	0,50	1,05	0,50	0,50
SS.DSR M 12 / SS.FE.DSR M 12	1,00	0,80	2,00	1,60	1,12	0,80	0,80	1,68	0,80	0,80
SS.DSR M 14 / SS.FE.DSR M 14	1,60	1,00	3,20	2,00	1,40	1,00	1,00	2,10	1,00	1,00
SS.DSR M 16 / SS.FE.DSR M 16	1,90	1,50	3,80	3,00	2,10	1,50	1,50	3,15	1,50	1,50
SS.DSR M 18 / SS.FE.DSR M 18	1,90	1,50	3,80	3,00	2,10	1,50	1,50	3,15	1,50	1,50
SS.DSR M 20 / SS.FE.DSR M 20	1,90	1,60	3,80	3,20	2,24	1,60	1,60	3,36	1,60	1,60
SS.DSR M 22 / SS.FE.DSR M 22	3,50	2,20	7,00	4,40	3,08	2,20	2,20	4,62	2,20	2,20
SS.DSR M 24	3,50	2,70	7,00	5,40	3,78	2,70	2,70	5,67	2,70	2,70
SS.DSR M 27	3,60	2,90	7,20	5,80	4,06	2,90	2,90	6,09	2,90	2,90
SS.DSR M 30	3,70	3,50	7,40	7,00	4,90	3,50	3,50	7,35	3,50	3,50

max. load in t

4:1

UNC THREADS

Number of rings	1		2		2		2		3 → 4	
	0°	90°	0°	90°	0° → 45°	46° → 60°	Asymmetric	0° → 45°	46° → 60°	Asymmetric
SS.DSR U 025	850	500	1,700	1,000	700	500	500	1,050	500	500
SS.DSR U 516 / SS.FE.DSR U 516	1,100	650	2,200	1,300	910	650	650	1,365	650	650
SS.DSR U 038 / SS.FE.DSR U 038	1,800	1,000	3,600	2,000	1,400	1,000	1,000	2,100	1,000	1,000
SS.DSR U 050 / SS.FE.DSR U 050	2,500	1,800	5,000	3,600	2,520	1,800	1,800	3,780	1,800	1,800
SS.DSR U 058 / SS.FE.DSR U 058	4,500 / 4,400	3,000	9,000 / 8,800	6,000	4,200	3,000	3,000	6,300	3,000	3,000
SS.DSR U 075 / SS.FE.DSR U 075	4,500	3,800	9,000	7,600	5,320	3,800	3,800	7,980	3,800	3,800
SS.DSR U 078 / SS.FE.DSR U 078	8,500	5,100	17,000	10,200	7,140	5,100	5,100	10,710	5,100	5,100
SS.DSR U 100	8,500	6,000	17,000	12,000	8,400	6,000	6,000	12,600	6,000	6,000

max. load in lbs

Oficiální prodejce:

PAVLÍNEK
VÁZACÍ PROSTŘEDKY

Šalounova 746/31
703 00 Ostrava - Vítkovice
www.pavlinek.cz

Tel.: +420 595 693 911
Fax: +420 595 693 958
E-mail: obchod@pavlinek.cz

CODIPRO
ALIPA

www.codipro.net - info@codipro.net

25, Salzbaach - L-9559 WILTZ - Tél. : +352 26 81 54 1 - Fax : +352 81 05 17

SS.DSR / SS.FE.DSR

LOAD ANGLE CHART

β max : 60°
L : Load



5:1

METRIC THREADS

Number of rings	1		2		2		2		3 → 4	
	0°	90°	0°	90°	0° → 45°	46° → 60°	Asymmetric	0° → 45°	46° → 60°	Asymmetric
SS.DSR M 6	0,20	0,10	0,40	0,20	0,14	0,10	0,10	0,21	0,10	0,10
SS.DSR M 8 / SS.FE.DSR M 8	0,40	0,30	0,80	0,60	0,42	0,30	0,30	0,63	0,30	0,30
SS.DSR M 10 / SS.FE.DSR M 10	0,70	0,50	1,40	1,00	0,70	0,50	0,50	1,05	0,50	0,50
SS.DSR M 12 / SS.FE.DSR M 12	0,90	0,80	1,80	1,60	1,12	0,80	0,80	1,68	0,80	0,80
SS.DSR M 14 / SS.FE.DSR M 14	1,20	1,00	2,40	2,00	1,40	1,00	1,00	2,10	1,00	1,00
SS.DSR M 16 / SS.FE.DSR M 16	1,50	1,40	3,00	2,80	1,96	1,40	1,40	2,94	1,40	1,40
SS.DSR M 18 / SS.FE.DSR M 18	1,50	1,40	3,00	2,80	1,96	1,40	1,40	2,94	1,40	1,40
SS.DSR M 20 / SS.FE.DSR M 20	1,50	1,40	3,00	2,80	1,96	1,40	1,40	2,94	1,40	1,40
SS.DSR M 22 / SS.FE.DSR M 22	2,80	2,20	5,60	4,40	3,08	2,20	2,20	4,62	2,20	2,20
SS.DSR M 24	2,80	2,70	5,60	5,40	3,78	2,70	2,70	5,67	2,70	2,70
SS.DSR M 27	2,90	2,80	5,80	5,60	3,92	2,80	2,80	5,88	2,80	2,80
SS.DSR M 30	3,00	3,00	6,00	6,00	4,20	3,00	3,00	6,30	3,00	3,00

max. load in t

5:1

UNC THREADS

Number of rings	1		2		2		2		3 → 4	
	0°	90°	0°	90°	0° → 45°	46° → 60°	Asymmetric	0° → 45°	46° → 60°	Asymmetric
SS.DSR U 025	650	400	1,300	800	560	400	400	840	400	400
SS.DSR U 516 / SS.FE.DSR U 516	900	600	1,800	1,200	840	600	600	1,260	600	600
SS.DSR U 038 / SS.FE.DSR U 038	1,400	1,000	2,800	2,000	1,400	1,000	1,000	2,100	1,000	1,000
SS.DSR U 050 / SS.FE.DSR U 050	2,000	1,800	4,000	3,600	2,520	1,800	1,800	3,780	1,800	1,800
SS.DSR U 058 / SS.FE.DSR U 058	3,500	2,500	7,000	5,000	3,500	2,500	2,500	5,250	2,500	2,500
SS.DSR U 075 / SS.FE.DSR U 075	3,500	3,600	7,000	7,200	5,040	3,600	3,600	7,560	3,600	3,600
SS.DSR U 078 / SS.FE.DSR U 078	7,000	5,000	14,000	10,000	7,000	5,000	5,000	10,500	5,000	5,000
SS.DSR U 100	7,000	6,000	14,000	12,000	8,400	6,000	6,000	12,600	6,000	6,000

max. load in lbs

Oficiální prodejce:



Šalounova 746/31
703 00 Ostrava - Vítkovice
www.pavlinek.cz

Tel.: +420 595 693 911
Fax: +420 595 693 958
E-mail: obchod@pavlinek.cz

SS.DSS / SS.FE.DSS

LOAD ANGLE CHART

β max : 60°
L : Load



4:1

METRIC THREADS	Number of rings		Lifting angle β				Asymmetric			
	1	2	0°	90°	0° → 45°	46° → 60°	0° → 45°	46° → 60°	0° → 45°	46° → 60°
SS.DSS M 24 / SS.FE.DSS M 24	2,70*	5,40*	2,70*	5,40*	3,78*	2,70*	2,70*	5,67*	2,70*	2,70*
SS.DSS M 30 / SS.FE.DSS M 30	3,50*	7,00*	3,50*	7,00*	4,90*	3,50*	3,50*	7,35*	3,50*	3,50*
SS.DSS M 33 / SS.FE.DSS M 33	3,50*	7,00*	3,50*	7,00*	4,90*	3,50*	3,50*	7,35*	3,50*	3,50*
SS.DSS M 36 / SS.FE.DSS M 36	5,00*	10,00*	5,00*	10,00*	7,00*	5,00*	5,00*	10,50*	5,00*	5,00*
SS.DSS M 36x3	5,00*	10,00*	5,00*	10,00*	7,00*	5,00*	5,00*	10,50*	5,00*	5,00*
SS.DSS M 39	5,00*	10,00*	5,00*	10,00*	7,00*	5,00*	5,00*	10,50*	5,00*	5,00*
SS.DSS M 42	6,00*	12,00*	6,00*	12,00*	8,40*	6,00*	6,00*	12,60*	6,00*	6,00*
SS.DSS M 42x3	6,00*	12,00*	6,00*	12,00*	8,40*	6,00*	6,00*	12,60*	6,00*	6,00*
SS.DSS M 45	6,00	12,00	6,00	12,00	8,40	6,00	6,00	12,60	6,00	6,00
SS.DSS M 48	6,40	12,80	6,40	12,80	8,96	6,40	6,40	13,44	6,40	6,40
SS.DSS M 48x3	6,40	12,80	6,40	12,80	8,96	6,40	6,40	13,44	6,40	6,40
SS.DSS M 48x4	6,40	12,80	6,40	12,80	8,96	6,40	6,40	13,44	6,40	6,40
SS.DSS M 52	6,40	12,80	6,40	12,80	8,96	6,40	6,40	13,44	6,40	6,40
SS.DSS M 56	8,00	16,00	8,00	16,00	11,20	8,00	8,00	16,80	8,00	8,00
SS.DSS M 56x4	8,00	16,00	8,00	16,00	11,20	8,00	8,00	16,80	8,00	8,00

max. load in t

4:1

UNC THREADS	Number of rings		Lifting angle β				Asymmetric			
	1	2	0°	90°	0° → 45°	46° → 60°	0° → 45°	46° → 60°	0° → 45°	46° → 60°
SS.DSS U 100 / SS.FE.DSS U 100	125	250	125	250	170	125	125	300	125	125
SS.DSS U 125 / SS.FE.DSS U 125	200	400	200	400	280	200	200	500	200	200
SS.DSS U 138 / SS.FE.DSS U 138	240	480	240	480	336	240	240	600	240	240
SS.DSS U 150 / SS.FE.DSS U 150	240	480	240	480	336	240	240	600	240	240
SS.DSS U 200	450	900	450	900	600	450	450	1100	450	450

max. load in lbs

* In certification process with higher WLL / En cours d'homologation avec CMU plus élevée / In Entwicklungsphase mit höheren Tragfähigkeitswerten / En proceso de homologación con una CMU más elevada

* In certification process with higher WLL / En cours d'homologation avec CMU plus élevée / In Entwicklungsphase mit höheren Tragfähigkeitswerten / En proceso de homologación con una CMU más elevada

Oficiální prodejce:



Šalounova 746/31
703 00 Ostrava - Vítkovice
www.pavlinek.cz

Tel.: +420 595 693 911
Fax: +420 595 693 958
E-mail: obchod@pavlinek.cz



www.codipro.net - info@codipro.net

25, Salzbaach - L-9559 WILTZ - Tél. : +352 26 81 54 1 - Fax : +352 81 05 17

SS.DSS / SS.FE.DSS

LOAD ANGLE CHART

β max : 60°
L : Load



5:1

METRIC THREADS

Number of rings	1		2		1		2		2		3 → 4	
	0°	90°	0°	90°	0° → 45°	46° → 60°	Asymmetric	0° → 45°	46° → 60°	Asymmetric	0° → 45°	46° → 60°
SS.DSS M 24 / SS.FE.DSS M 24	2,70	5,40	2,70	5,40	3,78	2,70	2,70	5,67	2,70	2,70	5,67	2,70
SS.DSS M 30 / SS.FE.DSS M 30	3,50	7,00	3,50	7,00	4,90	3,50	3,50	7,35	3,50	3,50	7,35	3,50
SS.DSS M 33 / SS.FE.DSS M 33	3,50	7,00	3,50	7,00	4,90	3,50	3,50	7,35	3,50	3,50	7,35	3,50
SS.DSS M 36 / SS.FE.DSS M 36	5,00	10,00	5,00	10,00	7,00	5,00	5,00	10,50	5,00	5,00	10,50	5,00
SS.DSS M 36X3	5,00	10,00	5,00	10,00	7,00	5,00	5,00	10,50	5,00	5,00	10,50	5,00
SS.DSS M 39	5,00	10,00	5,00	10,00	7,00	5,00	5,00	10,50	5,00	5,00	10,50	5,00
SS.DSS M 42	6,00	12,00	6,00	12,00	8,40	6,00	6,00	12,60	6,00	6,00	12,60	6,00
SS.DSS M 42x3	6,00	12,00	6,00	12,00	8,40	6,00	6,00	12,60	6,00	6,00	12,60	6,00

max. load in t

5:1

UNC THREADS

Number of rings	1		2		1		2		2		3 → 4	
	0°	90°	0°	90°	0° → 45°	46° → 60°	Asymmetric	0° → 45°	46° → 60°	Asymmetric	0° → 45°	46° → 60°
SS.DSS U 100 / SS.FE.DSS U 100	6,000	12,000	6,000	12,000	8,400	6,000	6,000	12,600	6,000	6,000	12,600	6,000
SS.DSS U 125 / SS.FE.DSS U 125	7,500	15,000	7,500	15,000	10,500	7,500	7,500	15,750	7,500	7,500	15,750	7,500
SS.DSS U 138 / SS.FE.DSS U 138	7,500	15,000	7,500	15,000	10,500	7,500	7,500	15,750	7,500	7,500	15,750	7,500
SS.DSS U 150 / SS.FE.DSS U 150	11,000	22,000	11,000	22,000	15,400	11,000	11,000	23,100	11,000	11,000	23,100	11,000

max. load in lbs

Oficiální prodejce:



Šalounova 746/31
703 00 Ostrava - Vítkovice
www.pavlinek.cz

Tel.: +420 595 693 911
Fax: +420 595 693 958
E-mail: obchod@pavlinek.cz



www.codipro.net - info@codipro.net
25, Salzbaach - L-9559 WILTZ - Tél. : +352 26 81 54 1 - Fax : +352 81 05 17

SS.SEB



LOAD ANGLE CHART

β max : 60°
L : Load

5:1

METRIC THREADS	1		2		1		2		1		2		3 → 4		
	Number of rings	Lifting angle β	0°	90°	0°	90°	0° → 45°	46° → 60°	Asymmetric	0° → 45°	46° → 60°	Asymmetric	0° → 45°	46° → 60°	Asymmetric
SS.SEB M 12	15	0,55	1,10	0,55	1,10	1,10	0,77	0,55	0,55	1,15	0,55	0,55	1,15	0,55	0,55
SS.SEB M 16	50	1,20	2,40	1,20	2,40	2,40	1,68	1,20	1,20	2,52	1,20	1,20	2,52	1,20	1,20
SS.SEB M 20	100	1,50	3,00	1,50	3,00	3,00	2,10	1,50	1,50	3,15	1,50	1,50	3,15	1,50	1,50
SS.SEB M 24	100	2,50	5,00	2,50	5,00	5,00	3,50	2,50	2,50	5,25	2,50	2,50	5,25	2,50	2,50

max. load in t

4:1

METRIC THREADS	1		2		1		2		1		2		3 → 4		
	Number of rings	Lifting angle β	0°	90°	0°	90°	0° → 45°	46° → 60°	Asymmetric	0° → 45°	46° → 60°	Asymmetric	0° → 45°	46° → 60°	Asymmetric
SS.SEB M 12	15	0,55*	1,10*	0,55*	1,10*	1,10*	0,77*	0,55*	0,55*	1,15*	0,55*	0,55*	1,15*	0,55*	0,55*
SS.SEB M 16	50	1,20*	2,40*	1,20*	2,40*	2,40*	1,68*	1,20*	1,20*	2,52*	1,20*	1,20*	2,52*	1,20*	1,20*
SS.SEB M 20	100	1,50*	3,00*	1,50*	3,00*	3,00*	2,10*	1,50*	1,50*	3,15*	1,50*	1,50*	3,15*	1,50*	1,50*
SS.SEB M 24	100	2,50*	5,00*	2,50*	5,00*	5,00*	3,50*	2,50*	2,50*	5,25*	2,50*	2,50*	5,25*	2,50*	2,50*

max. load in t

* In certification process with higher WLL / En cours d'homologation avec CMU plus élevée / In Entwicklungsphase mit höheren Tragfähigkeitswerten / En proceso de homologación con una CMU más elevada

Oficiální prodejce:



Šalounova 746/31
703 00 Ostrava - Vítkovice
www.pavlinek.cz

Tel.: +420 595 693 911
Fax: +420 595 693 958
E-mail: obchod@pavlinek.cz



www.codipro.net - info@codipro.net
25, Salzbaach - L-9559 WILTZ - Tél : +352 26 81 54 1 - Fax : +352 81 05 17



LOAD ANGLE CHART

β max : 60°
L : Load



5:1

METRIC THREADS	Torque (Nm)		1		2		2		2		3 → 4	
	Number of rings	Lifting angle β	0°	90°	0°	90°	0° → 45°	46° → 60°	Asymmetric	0° → 45°	46° → 60°	Asymmetric
DSP M 8	6	0,30	0,60	0,30	0,60	0,60	0,42	0,30	0,30	0,63	0,30	0,30
DSP M 10	10	0,60	1,20	0,60	1,20	0,88	0,60	0,60	0,60	1,26	0,60	0,60
DSP M 12	15	1,00	2,00	1,00	2,00	1,40	1,00	1,00	1,00	2,10	1,00	1,00
DSP M 14	30	1,30	2,60	1,30	2,60	1,82	1,30	1,30	1,30	2,73	1,30	1,30
DSP M 16	50	1,60	3,20	1,60	3,20	2,24	1,60	1,60	1,60	3,36	1,60	1,60
DSP M 18	70	2,00	4,00	2,00	4,00	2,80	2,00	2,00	2,00	4,20	2,00	2,00
DSP M 20	100	2,50	5,00	2,50	5,00	3,50	2,50	2,50	2,50	5,25	2,50	2,50

max. load in t

5:1

UNC THREADS	Torque (ft-lb)		1		2		2		2		3 → 4	
	Number of rings	Lifting angle β	0°	90°	0°	90°	0° → 45°	46° → 60°	Asymmetric	0° → 45°	46° → 60°	Asymmetric
DSP U 516	7	650	1300	650	1300	910	650	650	650	1365	650	650
DSP U 038	8	1200	2400	1200	2400	1680	1200	1200	1200	2520	1200	1200
DSP U 050	12	2200	4400	2200	4400	3080	2200	2200	2200	4620	2200	2200
DSP U 058	40	3800	7600	3800	7600	5320	3800	3800	3800	7980	3800	3800
DSP U 075	80	5500	11000	5500	11000	7700	5500	5500	5500	11550	5500	5500

max. load in lbs

Oficiální prodejce:



Šalounova 746/31
703 00 Ostrava - Vítkovice
www.pavlinek.cz

Tel.: +420 595 693 911
Fax: +420 595 693 958
E-mail: obchod@pavlinek.cz



www.codipro.net - info@codipro.net

25, Salzbaach - L-9559 WILTZ - Tél. : +352 26 81 54 1 - Fax : +352 81 05 17



LOAD ANGLE CHART

β max : 60°
L : Load

Torque (Nm)	1		2		1		2		2		3 → 4		
	0°	90°	0°	90°	0° → 45°	46° → 60°	Asymmetric	0° → 45°	46° → 60°	Asymmetric	0° → 45°	46° → 60°	Asymmetric
6	0,30	0,30	0,60	0,60	0,42	0,30	0,30	0,63	0,30	0,30	0,63	0,30	0,30
10	0,60	0,60	1,20	1,20	0,84	0,60	0,60	1,26	0,60	0,60	1,26	0,60	0,60
15	1,00	1,00	2,00	2,00	1,40	1,00	1,00	2,10	1,00	1,00	2,10	1,00	1,00
30	1,30	1,30	2,60	2,60	1,82	1,30	1,30	2,73	1,30	1,30	2,73	1,30	1,30
50	1,60	1,60	3,20	3,20	2,24	1,60	1,60	3,36	1,60	1,60	3,36	1,60	1,60
70	2,00	2,00	4,00	4,00	2,80	2,00	2,00	4,20	2,00	2,00	4,20	2,00	2,00
100	2,50	2,50	5,00	5,00	3,50	2,50	2,50	5,25	2,50	2,50	5,25	2,50	2,50

max. load in t

5:1

Torque (ft-lb)	1		2		1		2		2		3 → 4		
	0°	90°	0°	90°	0° → 45°	46° → 60°	Asymmetric	0° → 45°	46° → 60°	Asymmetric	0° → 45°	46° → 60°	Asymmetric
7	650	650	1,300	1,300	910	650	650	1,365	650	650	1,365	650	650
8	1,200	1,200	2,400	2,400	1,680	1,200	1,200	2,520	1,200	1,200	2,520	1,200	1,200
12	2,200	2,200	4,400	4,400	3,080	2,200	2,200	4,620	2,200	2,200	4,620	2,200	2,200
40	3,800	3,800	7,600	7,600	5,320	3,800	3,800	7,980	3,800	3,800	7,980	3,800	3,800
80	5,500	5,500	11,000	11,000	7,700	5,500	5,500	11,550	5,500	5,500	11,550	5,500	5,500

max. load in lbs

5:1

Oficiální prodejce:



Šalounova 746/31
703 00 Ostrava - Vítkovice
www.pavlinek.cz

Tel.: +420 595 693 911
Fax: +420 595 693 958
E-mail: obchod@pavlinek.cz



www.codipro.net - info@codipro.net
25, Salzbaach - L-9559 WILTZ - Tél : +352 26 81 54 1 - Fax : +352 81 05 17

Oficiální prodejce:



Šalounova 746/31
703 00 Ostrava - Vítkovice
www.pavlinek.cz

Tel.: +420 595 693 911
Fax: +420 595 693 958
E-mail: obchod@pavlinek.cz

OTHER

- SELECTION CHART
- THREAD CHART
- LOAD ANGLE CHART - SUMMARY
- PICTOGRAM LEGEND

ANDERE

- AUSWAHLTABELLE
- GEWINDETABELLE
- HEBEWINKELTABELLE -
INHALTSVERZEICHNIS
- PIKTOGRAMM - LEGENDE

AUTRE

- TABLEAU DE SÉLECTION
- TABLEAU DE FILETAGE
- TABLEAU DE LEVAGE - SOMMAIRE
- LÉGENDE DES PICTOGRAMMES

OTRO

- TABLA RECAPITULATIVA
- TABLA DE ROSCA
- TABLA DE LOS ÁNGULOS
DE ELEVACIÓN - RESUMEN
- LEYENDA DE LOS PICTOGRAMAS

www.codipro.net


CODIPRO
LIPA

OTHER

Oficiální prodejce:



Šalounova 746/31
703 00 Ostrava - Vítkovice
www.pavlinek.cz

Tel.: +420 595 693 911
Fax: +420 595 693 958
E-mail: obchod@pavlinek.cz

CODIPRO SELECTION CHART - TABLEAU DE SELECTION - AUSWAHLTABELLE - TABLA RECAPITULATIVA

	Double Swivel Ring design				Double Swivel Shackles design				Swivel Eye Bolt design			Alternative designs			Central lifting		Fall protection				
	DSR	FELDSDR	WELSDR	SS.FE.DSR	DSS	MEGA.DSS	GIGA.DSS	FE.DSS	WE.DSS	SS.DSS	SS.FE.DSS	SEB	FE.SEB	SS.SEB	DSP	DSH	TSR	CSS	SJM	PE.SEB	SS.PE.SEB
	M 5 - N 42	M 8 - M 22	welding	M 6 - M 30	M 8 - M 22	M 24 - M 100	M 64 - M 100	M 150	M 24 - M 52	welding	M 24 - M 56	M 24 - M 36	M 8 - M 48	M 8 - M 36	M 8 - M 20	M 8 - M 56	special	special	special	M 12 - M 16 - M 20 - M 24	M 12 - M 16 - M 20 - M 24
	0,07t - 9t	0,4t - 4,5t	2t / 5t	0,1t - 3,5t	0,3t - 2,2t	4,5t - 32,1t	26t - 60t	125t	4,5t - 21t	10t	2,7t - 8t	2,7t - 5t	0,4t - 16t	0,55t - 2,5t	0,3t - 2,5t	0,3t - 22t	20t / 32t / 55t	80t	1-2 pers.	1-2 pers.	1-2 pers.
	1/4" - 1 1/4"	1/4" - 7/8"	welding	1/4" - 1"	5/16" - 7/8"	1" - 2" 1/2"	2" 3/4 - 4"	N/A	1" - 2"	welding	1" - 2"	1" - 1 1/2"	3/8" - 1 1/2"	3/8" - 1 1/4"	5/16" - 3/4"	5/16" - 2"	special	special	special	N/A	N/A
	330 - 12,500 lbs	330 - 9,800 lbs	4,400 / 11,000 lbs	400 - 6,000 lbs	600 - 5,100 lbs	10,000 - 55,000 lbs	60,000 - 160,000 lbs	N/A	10,000 - 50,000 lbs	22,000 lbs	6,000 - 14,000 lbs	6,000 - 11,000 lbs	1,200 - 25,000 lbs	1,200 - 13,800 lbs	650 - 5,500 lbs	650 - 50,000 lbs	on request	on request	on request	N/A	N/A
	5:1	5:1	5:1	5:1	5:1	5:1	5:1	5:1	5:1	5:1	5:1	5:1	5:1	5:1	5:1	5:1	4:1	4:1	4:1	4:1	4:1
	4:1	4:1	4:1	4:1	4:1	4:1	4:1	4:1	4:1	4:1	4:1	4:1	4:1	4:1	4:1	4:1	4:1	4:1	4:1	4:1	4:1
	✓	✓	✓	✓	✓	✓	✓	✓	✓	✓	✓	✓	✓	✓	✓	✓	✓	✓	✓	✓	✓
	✓	✓	✓	✓	✓	✓	✓	✓	✓	✓	✓	✓	✓	✓	✓	✓	✓	✓	✓	✓	✓
	✓	✓	✓	✓	✓	✓	✓	✓	✓	✓	✓	✓	✓	✓	✓	✓	✓	✓	✓	✓	✓
	✓	✓	✓	✓	✓	✓	✓	✓	✓	✓	✓	✓	✓	✓	✓	✓	✓	✓	✓	✓	✓
	✓	✓	✓	✓	✓	✓	✓	✓	✓	✓	✓	✓	✓	✓	✓	✓	✓	✓	✓	✓	✓
	✓	✓	✓	✓	✓	✓	✓	✓	✓	✓	✓	✓	✓	✓	✓	✓	✓	✓	✓	✓	✓
	✓	✓	✓	✓	✓	✓	✓	✓	✓	✓	✓	✓	✓	✓	✓	✓	✓	✓	✓	✓	✓
	✓	✓	✓	✓	✓	✓	✓	✓	✓	✓	✓	✓	✓	✓	✓	✓	✓	✓	✓	✓	✓
	✓	✓	✓	✓	✓	✓	✓	✓	✓	✓	✓	✓	✓	✓	✓	✓	✓	✓	✓	✓	✓
	✓	✓	✓	✓	✓	✓	✓	✓	✓	✓	✓	✓	✓	✓	✓	✓	✓	✓	✓	✓	✓
	✓	✓	✓	✓	✓	✓	✓	✓	✓	✓	✓	✓	✓	✓	✓	✓	✓	✓	✓	✓	✓
	✓	✓	✓	✓	✓	✓	✓	✓	✓	✓	✓	✓	✓	✓	✓	✓	✓	✓	✓	✓	✓
	✓	✓	✓	✓	✓	✓	✓	✓	✓	✓	✓	✓	✓	✓	✓	✓	✓	✓	✓	✓	✓
	✓	✓	✓	✓	✓	✓	✓	✓	✓	✓	✓	✓	✓	✓	✓	✓	✓	✓	✓	✓	✓

★ Optional ☆ On request N/A: Not Applicable

Oficiální prodejce:



Šalounova 746/31
703 00 Ostrava - Vítkovice
www.pavlinek.cz

Tel.: +420 595 693 911
Fax: +420 595 693 958
E-mail: obchod@pavlinek.cz

GRADUP LOAD ANGLE CHART

SUMMARY METRIC

β max : 60°
L : Load

max. load in t	Lifting Type	1		2		1		2		Asymmetric		Asymmetric	
		0°	90°	0°	90°	0° → 45°	46° → 60°	0° → 45°	46° → 60°	0° → 45°	46° → 60°	3 → 4	Asymmetric
Size	Torque (Nm)												
M 5	0.30	0.60	0.10	0.14	0.10	0.20	0.10	0.21	0.10	0.10	0.20	0.10	0.10
M 6	0.40	0.80	0.20	0.28	0.20	0.40	0.20	0.42	0.20	0.20	0.40	0.20	0.20
M 8	1.00	2.00	0.50	0.70	0.50	1.00	0.50	1.05	0.50	0.50	1.00	0.50	0.50
M 10	1.50	3.00	0.80	1.26	0.80	1.50	0.90	1.89	0.90	0.90	1.50	0.90	0.90
M 12	1.50	3.00	1.30	1.82	1.30	2.60	1.30	2.73	1.30	1.30	2.60	1.30	1.30
M 14	2.00	4.00	1.80	2.52	1.80	3.60	1.80	3.78	1.80	1.80	3.60	1.80	1.80
M 16	2.50	5.00	2.30	3.22	2.30	4.60	2.30	4.83	2.30	2.30	4.60	2.30	2.30
M 18	2.50	5.00	2.30	3.22	2.30	4.60	2.30	4.83	2.30	2.30	4.60	2.30	2.30
M 20 215	3.20	6.40	3.20	4.48	3.20	6.40	3.20	6.72	3.20	3.20	6.40	3.20	3.20
M 20 312	3.20	6.40	3.20	4.48	3.20	6.40	3.20	6.72	3.20	3.20	6.40	3.20	3.20
M 22	6.00	12.00	6.00	8.40	6.00	12.00	6.00	12.60	6.00	6.00	12.00	6.00	6.00
M 24	6.50	13.00	6.50	9.10	6.50	13.00	6.50	13.65	6.50	6.50	13.00	6.50	6.50
M 27	12.00	24.00	12.00	16.80	12.00	24.00	12.00	25.20	12.00	12.00	24.00	12.00	12.00
M 30 613	13.00	26.00	13.00	18.20	13.00	26.00	13.00	27.06	13.00	13.00	26.00	13.00	13.00
M 30 8t	13.00	26.00	13.00	18.20	13.00	26.00	13.00	27.06	13.00	13.00	26.00	13.00	13.00
M 30 8t	18.00	36.00	18.00	25.20	18.00	36.00	18.00	37.80	18.00	18.00	36.00	18.00	18.00
M 36	20.00	40.00	20.00	28.00	20.00	40.00	20.00	42.00	20.00	20.00	40.00	20.00	20.00
M 42	20.00	40.00	20.00	28.00	20.00	40.00	20.00	42.00	20.00	20.00	40.00	20.00	20.00
M 42	20.00	40.00	20.00	28.00	20.00	40.00	20.00	42.00	20.00	20.00	40.00	20.00	20.00
M 44	20.00	40.00	20.00	28.00	20.00	40.00	20.00	42.00	20.00	20.00	40.00	20.00	20.00
M 48	22.00	44.00	22.00	30.80	22.00	44.00	22.00	46.20	22.00	22.00	44.00	22.00	22.00
M 48x3	22.00	44.00	22.00	30.80	22.00	44.00	22.00	46.20	22.00	22.00	44.00	22.00	22.00
M 48x4	22.00	44.00	22.00	30.80	22.00	44.00	22.00	46.20	22.00	22.00	44.00	22.00	22.00
M 52	23.00	46.00	23.00	32.20	23.00	46.00	23.00	48.30	23.00	23.00	46.00	23.00	23.00
M 56	25.00	50.00	25.00	35.00	25.00	50.00	25.00	52.50	25.00	25.00	50.00	25.00	25.00
M 56x4	25.00	50.00	25.00	35.00	25.00	50.00	25.00	52.50	25.00	25.00	50.00	25.00	25.00
M 64	32.00	64.00	32.00	44.94	32.00	64.00	32.00	67.41	32.00	32.00	64.00	32.00	32.00
M 64x4	32.00	64.00	32.00	44.94	32.00	64.00	32.00	67.41	32.00	32.00	64.00	32.00	32.00
M 72	32.00	64.00	32.00	44.94	32.00	64.00	32.00	67.41	32.00	32.00	64.00	32.00	32.00
M 72x4	32.00	64.00	32.00	44.94	32.00	64.00	32.00	67.41	32.00	32.00	64.00	32.00	32.00
M 80	32.00	64.00	32.00	44.94	32.00	64.00	32.00	67.41	32.00	32.00	64.00	32.00	32.00
M 80	32.00	64.00	32.00	44.94	32.00	64.00	32.00	67.41	32.00	32.00	64.00	32.00	32.00
M 90	32.00	64.00	32.00	44.94	32.00	64.00	32.00	67.41	32.00	32.00	64.00	32.00	32.00
M 100	32.00	64.00	32.00	44.94	32.00	64.00	32.00	67.41	32.00	32.00	64.00	32.00	32.00
M 100	32.00	64.00	32.00	44.94	32.00	64.00	32.00	67.41	32.00	32.00	64.00	32.00	32.00
M 54	33.00	66.00	33.00	46.20	33.00	66.00	33.00	69.30	33.00	33.00	66.00	33.00	33.00
M 72	35.00	70.00	35.00	49.00	35.00	70.00	35.00	73.50	35.00	35.00	70.00	35.00	35.00
M 72x4	35.00	70.00	35.00	49.00	35.00	70.00	35.00	73.50	35.00	35.00	70.00	35.00	35.00
M 80	40.00	80.00	40.00	56.00	40.00	80.00	40.00	84.00	40.00	40.00	80.00	40.00	40.00
M 90	45.00	90.00	45.00	63.00	45.00	90.00	45.00	94.50	45.00	45.00	90.00	45.00	45.00
M 100	60.00	120.00	60.00	84.00	60.00	120.00	60.00	126.00	60.00	60.00	120.00	60.00	60.00
M 8	0.80	1.60	0.80	1.00	0.80	1.60	0.80	1.05	0.80	0.80	1.60	0.80	0.80
M 10	1.00	2.00	1.00	1.40	1.00	2.00	1.00	2.17	1.00	1.00	2.00	1.00	1.00
M 12	1.50	3.00	1.50	2.10	1.50	3.00	1.50	3.28	1.50	1.50	3.00	1.50	1.50
M 15	3.20	6.40	3.20	4.48	3.20	6.40	3.20	6.78	3.20	3.20	6.40	3.20	3.20
M 20	6.50	13.00	6.50	9.10	6.50	13.00	6.50	13.67	6.50	6.50	13.00	6.50	6.50
M 24 318	8.00	16.00	8.00	11.20	8.00	16.00	8.00	16.82	8.00	8.00	16.00	8.00	8.00
M 24 412	7.00	14.00	7.00	9.80	7.00	14.00	7.00	14.82	7.00	7.00	14.00	7.00	7.00
M 30	10.00	20.00	10.00	14.00	10.00	20.00	10.00	21.00	10.00	10.00	20.00	10.00	10.00
M 36	12.00	24.00	12.00	16.80	12.00	24.00	12.00	25.20	12.00	12.00	24.00	12.00	12.00
M 42	15.00	30.00	15.00	21.00	15.00	30.00	15.00	31.50	15.00	15.00	30.00	15.00	15.00
M 48	18.00	36.00	18.00	25.20	18.00	36.00	18.00	37.80	18.00	18.00	36.00	18.00	18.00
M 30	25.00	50.00	25.00	35.00	25.00	50.00	25.00	52.50	25.00	25.00	50.00	25.00	25.00
M 35	29.00	58.00	29.00	40.60	29.00	58.00	29.00	61.23	29.00	29.00	58.00	29.00	29.00
M 36	30.00	60.00	30.00	42.00	30.00	60.00	30.00	63.00	30.00	30.00	60.00	30.00	30.00
M 36x3	30.00	60.00	30.00	42.00	30.00	60.00	30.00	63.00	30.00	30.00	60.00	30.00	30.00
M 39	32.00	64.00	32.00	44.94	32.00	64.00	32.00	67.41	32.00	32.00	64.00	32.00	32.00
M 42	31.00	62.00	31.00	43.70	31.00	62.00	31.00	65.53	31.00	31.00	62.00	31.00	31.00
M 42x3	31.00	62.00	31.00	43.70	31.00	62.00	31.00	65.53	31.00	31.00	62.00	31.00	31.00
M 45	32.00	64.00	32.00	44.94	32.00	64.00	32.00	67.41	32.00	32.00	64.00	32.00	32.00
M 48	32.00	64.00	32.00	44.94	32.00	64.00	32.00	67.41	32.00	32.00	64.00	32.00	32.00
M 48x3	32.00	64.00	32.00	44.94	32.00	64.00	32.00	67.41	32.00	32.00	64.00	32.00	32.00
M 48x4	32.00	64.00	32.00	44.94	32.00	64.00	32.00	67.41	32.00	32.00	64.00	32.00	32.00
M 52	32.00	64.00	32.00	44.94	32.00	64.00	32.00	67.41	32.00	32.00	64.00	32.00	32.00
M 56	35.00	70.00	35.00	49.00	35.00	70.00	35.00	73.50	35.00	35.00	70.00	35.00	35.00
M 56x4	35.00	70.00	35.00	49.00	35.00	70.00	35.00	73.50	35.00	35.00	70.00	35.00	35.00
M 64	40.00	80.00	40.00	56.00	40.00	80.00	40.00	84.00	40.00	40.00	80.00	40.00	40.00
M 64x4	40.00	80.00	40.00	56.00	40.00	80.00	40.00	84.00	40.00	40.00	80.00	40.00	40.00
M 72	45.00	90.00	45.00	63.00	45.00	90.00	45.00	94.50	45.00	45.00	90.00	45.00	45.00
M 72x4	45.00	90.00	45.00	63.00	45.00	90.00	45.00	94.50	45.00	45.00	90.00	45.00	45.00
M 80	60.00	120.00	60.00	84.00	60.00	120.00	60.00	126.00	60.00	60.00	120.00	60.00	60.00
M 80	60.00	120.00	60.00	84.00	60.00	120.00	60.00	126.00	60.00	60.00	120.00	60.00	60.00
M 90	60.00	120.00	60.00	84.00	60.00	120.00	60.00	126.00	60.00	60.00	120.00	60.00	60.00
M 100	60.00	120.00	60.00	84.00	60.00	120.00	60.00	126.00	60.00	60.00	120.00	60.00	60.00
M 54	66.00	132.00	66.00	91.80	66.00	132.00	66.00	138.60	66.00	66.00	132.00	66.00	66.00
M 72	70.00	140.00	70.00	98.00	70.00	140.00	70.00	147.00	70.00	70.00	140.00	70.00	70.00
M 72x4	70.00	140.00	70.00	98.00	70.00	140.00	70.00	147.00	70.00	70.00	140.00	70.00	70.00
M 80	80.00	160.00	80.00	112.00	80.00	160.00	80.00	168.00	80.00	80.00	160.00	80.00	80.00
M 90	90.00	180.00	90.00	126.00	90.00	180.00	90.00	189.00	90.00	90.00	180.00	90.00	90.00
M 100	120.00	240.00	120.00	168.00	120.00	240.00	120.00	252.00	120.00	120.00	240.00	120.00	120.00
M 8	0.70	1.40	0.70	0.98	0.70	1.40	0.70	1.05	0.70	0.70	1.40	0.70	0.70
M 10	0.90	1.80	0.90	1.26	0.90	1.80	0.90	1.89	0.90	0.90	1.80	0.90	0.90
M 12	1.50	3.00	1.50	2.10	1.50	3.00	1.50	3.28	1.50	1.50	3.00	1.50	1.50
M 15	3.20	6.40	3.20	4.48	3.20	6.40	3.20	6.78	3.20	3.20	6.40	3.20	3.20
M 20	6.50	13.00	6.50	9.10	6.50	13.00	6.50	13.67					

GRADUP LOAD ANGLE CHART

SUMMARY UNC

$\beta_{max} : 60^\circ$
L : Load

max. load in lbs	Lifting Type	1		2		1		2		2		3 → 4	
		0°		90°		0°		90°		0° → 45°		46° → 60°	
		0°	90°	0°	90°	0° → 45°	90°	90°	0° → 45°	Asymmetric	Asymmetric	0° → 45°	46° → 60°
	Torque (ft-lb)												
1/4"	3	900	450	1,800	450	900	450	630	450	450	450	945	450
5/16"	5	2,200	1,200	4,400	1,200	2,400	1,200	1,680	1,200	1,200	1,200	2,520	1,200
3/8"	8	3,200	1,600	6,400	1,600	3,200	1,600	2,240	1,600	1,600	1,600	3,360	1,600
1/2"	12	3,400	2,800	6,800	2,800	5,600	2,800	3,920	2,800	2,800	2,800	5,880	2,800
5/8"	40	5,900	4,900	11,800	4,900	9,800	4,900	6,860	4,900	4,900	4,900	10,290	4,900
3/4"	80	6,200	5,250	12,400	5,250	10,500	5,250	7,350	5,250	5,250	5,250	11,025	5,250
7/8"	90	13,500	9,800	27,000	9,800	19,600	9,800	13,720	9,800	9,800	9,800	20,580	9,800
1"	125	13,500	12,500	27,000	12,500	25,000	12,500	17,500	12,500	12,500	12,500	26,250	12,500
1" 1/8	160	13,500	13,000	27,000	13,000	26,000	13,000	18,200	13,000	13,000	13,000	27,300	13,000
1" 1/4	200	13,500	27,000	27,000	13,500	27,000	13,500	18,900	13,500	13,500	13,500	28,350	13,500
1"	125	19,000	13,000	38,000	13,000	26,000	13,000	18,200	13,000	13,000	13,000	27,300	13,000
1" 1/4	200	30,000	19,000	60,000	19,000	38,000	19,000	26,600	19,000	19,000	19,000	39,900	19,000
1" 3/8	240	32,000	22,000	64,000	22,000	44,000	22,000	30,800	22,000	22,000	22,000	46,200	22,000
1" 1/2	240	33,000	27,000	66,000	27,000	54,000	27,000	37,800	27,000	27,000	27,000	56,700	27,000
1" 3/4	300	33,000	33,000	66,000	33,000	66,000	33,000	46,200	33,000	33,000	33,000	69,300	33,000
2"	450	50,000	50,000	100,000	50,000	100,000	50,000	70,000	50,000	50,000	50,000	105,000	50,000
2" 1/2	450	55,000	55,000	110,000	55,000	110,000	55,000	77,000	55,000	55,000	55,000	115,500	55,000
2" 3/4	520	75,000	75,000	150,000	75,000	150,000	75,000	105,000	75,000	75,000	75,000	157,500	75,000
3"	520	80,000	80,000	160,000	80,000	160,000	80,000	112,000	80,000	80,000	80,000	168,000	80,000
3" 1/4	590	90,000	90,000	180,000	90,000	180,000	90,000	126,000	90,000	90,000	90,000	189,000	90,000
3" 1/2	665	95,000	95,000	190,000	95,000	190,000	95,000	133,000	95,000	95,000	95,000	199,500	95,000
3" 3/4	740	100,000	100,000	200,000	100,000	200,000	100,000	140,000	100,000	100,000	100,000	210,000	100,000
4"	740	110,000	110,000	220,000	110,000	220,000	110,000	154,000	110,000	110,000	110,000	231,000	110,000
3/8"	8	3,500	1,500	7,000	1,500	3,000	1,500	2,100	1,500	1,500	1,500	3,150	1,500
1/2"	12	4,200	1,950	8,400	1,950	3,900	1,950	2,730	1,950	1,950	1,950	4,095	1,950
5/8"	40	7,000	4,000	14,000	4,000	8,000	4,000	5,600	4,000	4,000	4,000	8,400	4,000
3/4"	80	15,000	5,900	30,000	5,900	11,800	5,900	8,260	5,900	5,900	5,900	12,390	5,900
1"	125	15,000	9,300	30,000	9,300	18,600	9,300	13,020	9,300	9,300	9,300	19,530	9,300
1" 1/4	200	22,000	13,800	44,000	13,800	27,600	13,800	19,320	13,800	13,800	13,800	28,980	13,800
1" 1/2	240	25,000	25,000	50,000	25,000	50,000	25,000	35,000	25,000	25,000	25,000	52,500	25,000

4:1



Oficiální prodejce:



Šalounova 746/31
703 00 Ostrava - Vítkovice
www.pavlinek.cz

Tel.: +420 595 693 911
Fax: +420 595 693 958
E-mail: obchod@pavlinek.cz

SUMMARY METRIC

β max : 60°
L : Load



GRADUP LOAD ANGLE CHART

max. load in t	Lifting Type		1		2		1		2		0° → 45°		45° → 60°		Asymmetric		0° → 45°		45° → 60°		Asymmetric		
	Number of rings	Torque (Nm)	0°		90°		0°		90°		0° → 45°		45° → 60°		Asymmetric		0° → 45°		45° → 60°		Asymmetric		
			1	2	1	2	1	2	1	2	1	2	1	2	1	2	1	2	1	2	1	2	
5:1	M 5	0,20	0,40	0,07	0,14	0,10	0,20	0,10	0,20	0,10	0,20	0,10	0,20	0,10	0,20	0,10	0,20	0,15	0,30	0,15	0,30	0,07	0,14
	M 6	0,30	0,60	0,10	0,20	0,15	0,30	0,15	0,30	0,21	0,42	0,15	0,30	0,21	0,42	0,15	0,30	0,21	0,42	0,15	0,30	0,21	0,42
	M 8	0,80	1,60	0,40	0,80	0,56	1,12	0,56	1,12	0,84	1,68	0,56	1,12	0,84	1,68	0,56	1,12	0,84	1,68	0,56	1,12	0,84	1,68
	M 10	1,30	2,60	0,70	1,40	0,98	1,96	0,98	1,96	1,47	2,94	0,98	1,96	1,47	2,94	0,98	1,96	1,47	2,94	0,98	1,96	1,47	2,94
	M 12	1,50	3,00	0,75	1,50	1,12	2,24	1,12	2,24	1,68	3,36	1,12	2,24	1,68	3,36	1,12	2,24	1,68	3,36	1,12	2,24	1,68	3,36
	M 14	2,50	5,00	1,40	2,80	1,96	3,92	1,96	3,92	2,80	5,60	1,96	3,92	2,80	5,60	1,96	3,92	2,80	5,60	1,96	3,92	2,80	5,60
	M 18	2,70	5,40	2,00	4,00	2,80	5,60	2,80	5,60	4,00	8,00	2,80	5,60	4,00	8,00	2,80	5,60	4,00	8,00	2,80	5,60	4,00	8,00
	M 20	2,50	5,00	2,30	4,60	3,22	6,44	3,22	6,44	4,60	9,20	3,22	6,44	4,60	9,20	3,22	6,44	4,60	9,20	3,22	6,44	4,60	9,20
	M 20 215	2,80	5,60	2,50	5,00	3,50	7,00	3,50	7,00	5,00	10,00	3,50	7,00	5,00	10,00	3,50	7,00	5,00	10,00	3,50	7,00	5,00	10,00
	M 20 312	3,20	6,40	2,90	5,80	4,06	8,12	4,06	8,12	5,80	11,60	4,06	8,12	5,80	11,60	4,06	8,12	5,80	11,60	4,06	8,12	5,80	11,60
	M 22	5,50	11,00	5,00	10,00	7,00	14,00	7,00	14,00	10,00	20,00	7,00	14,00	10,00	20,00	7,00	14,00	10,00	20,00	7,00	14,00	10,00	20,00
	M 24	6,00	12,00	5,50	11,00	7,70	15,40	7,70	15,40	11,00	22,00	7,70	15,40	11,00	22,00	7,70	15,40	11,00	22,00	7,70	15,40	11,00	22,00
	M 27	6,00	12,00	5,70	11,40	7,98	15,96	7,98	15,96	11,40	22,80	7,98	15,96	11,40	22,80	7,98	15,96	11,40	22,80	7,98	15,96	11,40	22,80
	M 30 613	6,30	12,60	6,00	12,00	8,40	16,80	8,40	16,80	12,00	24,00	8,40	16,80	12,00	24,00	8,40	16,80	12,00	24,00	8,40	16,80	12,00	24,00
	M 30 81	9,00	18,00	8,00	16,00	12,40	24,80	12,40	24,80	16,00	32,00	12,40	24,80	16,00	32,00	12,40	24,80	16,00	32,00	12,40	24,80	16,00	32,00
	M 36	9,00	18,00	8,00	16,00	11,20	22,40	11,20	22,40	16,00	32,00	11,20	22,40	16,00	32,00	11,20	22,40	16,00	32,00	11,20	22,40	16,00	32,00
	M 42	9,50	19,00	8,50	17,00	11,90	23,80	11,90	23,80	17,00	34,00	11,90	23,80	17,00	34,00	11,90	23,80	17,00	34,00	11,90	23,80	17,00	34,00
	M 42 4	9,50	19,00	8,50	17,00	11,90	23,80	11,90	23,80	17,00	34,00	11,90	23,80	17,00	34,00	11,90	23,80	17,00	34,00	11,90	23,80	17,00	34,00
	M 42 3	14,00	28,00	12,60	25,20	17,16	34,32	17,16	34,32	25,20	50,40	17,16	34,32	25,20	50,40	17,16	34,32	25,20	50,40	17,16	34,32	25,20	50,40
	M 30	14,50	29,00	13,00	26,00	18,20	36,40	18,20	36,40	26,00	52,00	18,20	36,40	26,00	52,00	18,20	36,40	26,00	52,00	18,20	36,40	26,00	52,00
	M 33	15,00	30,00	13,50	27,00	19,00	38,00	19,00	38,00	27,00	54,00	19,00	38,00	27,00	54,00	19,00	38,00	27,00	54,00	19,00	38,00	27,00	54,00
	M 36 3	15,00	30,00	13,50	27,00	19,00	38,00	19,00	38,00	27,00	54,00	19,00	38,00	27,00	54,00	19,00	38,00	27,00	54,00	19,00	38,00	27,00	54,00
	M 39	15,00	30,00	13,50	27,00	19,00	38,00	19,00	38,00	27,00	54,00	19,00	38,00	27,00	54,00	19,00	38,00	27,00	54,00	19,00	38,00	27,00	54,00
	M 42 3	15,00	30,00	13,50	27,00	19,00	38,00	19,00	38,00	27,00	54,00	19,00	38,00	27,00	54,00	19,00	38,00	27,00	54,00	19,00	38,00	27,00	54,00
	M 45	15,00	30,00	13,50	27,00	19,00	38,00	19,00	38,00	27,00	54,00	19,00	38,00	27,00	54,00	19,00	38,00	27,00	54,00	19,00	38,00	27,00	54,00
	M 48	15,00	30,00	13,50	27,00	19,00	38,00	19,00	38,00	27,00	54,00	19,00	38,00	27,00	54,00	19,00	38,00	27,00	54,00	19,00	38,00	27,00	54,00
	M 48 3	22,00	44,00	20,00	40,00	27,30	54,60	27,30	54,60	40,00	80,00	27,30	54,60	40,00	80,00	27,30	54,60	40,00	80,00	27,30	54,60	40,00	80,00
	M 48 4	22,00	44,00	20,00	40,00	27,30	54,60	27,30	54,60	40,00	80,00	27,30	54,60	40,00	80,00	27,30	54,60	40,00	80,00	27,30	54,60	40,00	80,00
	M 52	23,00	46,00	21,00	42,00	28,80	57,60	28,80	57,60	42,00	84,00	28,80	57,60	42,00	84,00	28,80	57,60	42,00	84,00	28,80	57,60	42,00	84,00
	M 56	25,00	50,00	22,00	44,00	30,80	61,60	30,80	61,60	44,00	88,00	30,80	61,60	44,00	88,00	30,80	61,60	44,00	88,00	30,80	61,60	44,00	88,00
	M 56 4	25,00	50,00	22,00	44,00	30,80	61,60	30,80	61,60	44,00	88,00	30,80	61,60	44,00	88,00	30,80	61,60	44,00	88,00	30,80	61,60	44,00	88,00
	M 64	25,00	50,00	22,00	44,00	30,80	61,60	30,80	61,60	44,00	88,00	30,80	61,60	44,00	88,00	30,80	61,60	44,00	88,00	30,80	61,60	44,00	88,00
	M 64 4	25,00	50,00	22,00	44,00	30,80	61,60	30,80	61,60	44,00	88,00	30,80	61,60	44,00	88,00	30,80	61,60	44,00	88,00	30,80	61,60	44,00	88,00
	M 72	25,00	50,00	22,00	44,00	30,80	61,60	30,80	61,60	44,00	88,00	30,80	61,60	44,00	88,00	30,80	61,60	44,00	88,00	30,80	61,60	44,00	88,00
	M 72 4	25,00	50,00	22,00	44,00	30,80	61,60	30,80	61,60	44,00	88,00	30,80	61,60	44,00	88,00	30,80	61,60	44,00	88,00	30,80	61,60	44,00	88,00
	M 80	25,00	50,00	22,00	44,00	30,80	61,60	30,80	61,60	44,00	88,00	30,80	61,60	44,00	88,00	30,80	61,60	44,00	88,00	30,80	61,60	44,00	88,00
	M 80 3	25,00	50,00	22,00	44,00	30,80	61,60	30,80	61,60	44,00	88,00	30,80	61,60	44,00	88,00	30,80	61,60	44,00	88,00	30,80	61,60	44,00	88,00
	M 90	25,00	50,00	22,00	44,00	30,80	61,60	30,80	61,60	44,00	88,00	30,80	61,60	44,00	88,00	30,80	61,60	44,00	88,00	30,80	61,60	44,00	88,00
	M 100	25,00	50,00	22,00	44,00	30,80	61,60	30,80	61,60	44,00	88,00	30,80	61,60	44,00	88,00	30,80	61,60	44,00	88,00	30,80	61,60	44,00	88,00
	M 100 3	25,00	50,00	22,00	44,00	30,80	61,60	30,80	61,60	44,00	88,00	30,80	61,60	44,00	88,00	30,80	61,60	44,00	88,00	30,80	61,60	44,00	88,00
	M 150	125,00	250,00	125,00	250,00	175,00	350,00	175,00	350,00	250,00	500,00	175,00	350,00	250,00	500,00	175,00	350,00	250,00	500,00	175,00	350,00	250,00	500,00
	M 8	0,70	1,40	0,40	0,80	0,56	1,12	0,56	1,12	0,80	1,60	0,56	1,12	0,80	1,60	0,56	1,12	0,80	1,60	0,56	1,12	0,80	1,60
	M 10	1,20	2,40	0,80	1,60	1,12	2,24	1,12	2,24	1,60	3,20	1,12	2,24	1,60	3,20	1,12	2,24	1,60	3,20	1,12	2,24	1,60	3,20
	M 12	1,70	3,40	1,20	2,40	1,68	3,36	1,68	3,36	2,40	4,80	1,68	3,36	2,40	4,80	1,68	3,36	2,40	4,80	1,68	3,36	2,40	4,80
	M 16	3,20	6,40	2,80	5,60	3,92	7,84	3,92	7,84	5,60	11,20	3,92	7,84	5,60	11,20	3,92	7,84	5,60	11,20	3,92	7,84	5,60	11,20
	M 20	5,00	10,00	4,00	8,00	5,60	11,20	5,60	11,20	8													

SUMMARY UNC

$\beta_{max} : 60^\circ$
L : Load

GRADUP LOAD ANGLE CHART

max. load in lbs	Lifting Type	1		2		1		2		2		3 → 4	
		0°		0°		90°		90°		0° → 45°		Asymmetric	
		0°	90°	0°	90°	0° → 45°	46° → 60°	Asymmetric	0° → 45°	46° → 60°	Asymmetric		
	Torque (ft-lb)												
1/4"	3	650	1,300	330	660	462	330	330	693	330	330	330	330
5/16"	5	1,800	3,600	1,000	2,000	1,400	1,000	1,000	2,100	1,000	1,000	1,000	1,000
3/8"	8	2,500	5,000	1,300	2,600	1,820	1,300	1,300	2,730	1,300	1,300	1,300	1,300
1/2"	12	3,000	6,000	2,400	4,800	3,360	2,400	2,400	5,040	2,400	2,400	2,400	2,400
5/8"	40	5,900	11,800	3,900	7,800	5,460	3,900	3,900	8,190	3,900	3,900	3,900	3,900
3/4"	80	5,900	11,800	5,250	10,500	7,350	5,250	5,250	11,025	5,250	5,250	5,250	5,250
7/8"	90	13,500	27,000	7,900	15,800	11,060	7,900	7,900	16,590	7,900	7,900	7,900	7,900
1"	125	13,500	27,000	11,200	22,400	15,680	11,200	11,200	23,520	11,200	11,200	11,200	11,200
1" 1/8	160	13,500	27,000	11,500	23,000	16,100	11,500	11,500	24,150	11,500	11,500	11,500	11,500
1" 1/4	200	13,500	27,000	13,500	27,000	18,900	13,500	13,500	28,350	13,500	13,500	13,500	13,500
1"	125	19,000	38,000	10,000	20,000	21,000	10,000	10,000	21,000	10,000	10,000	10,000	10,000
1" 1/4	200	30,000	60,000	15,000	30,000	21,000	15,000	15,000	31,500	15,000	15,000	15,000	15,000
1" 3/8	240	31,000	62,000	21,000	42,000	29,400	21,000	21,000	44,100	21,000	21,000	21,000	21,000
1" 1/2	240	31,000	62,000	22,000	44,000	30,800	22,000	22,000	46,200	22,000	22,000	22,000	22,000
1" 3/4	300	33,000	66,000	27,000	54,000	37,800	27,000	27,000	56,700	27,000	27,000	27,000	27,000
2"	450	50,000	100,000	38,000	76,000	53,200	38,000	38,000	79,800	38,000	38,000	38,000	38,000
2" 1/2	450	55,000	110,000	48,500	97,000	67,900	48,500	48,500	101,850	48,500	48,500	48,500	48,500
2" 3/4	520	60,000	120,000	60,000	120,000	84,000	60,000	60,000	126,000	60,000	60,000	60,000	60,000
3"	520	64,000	128,000	64,000	128,000	89,600	64,000	64,000	134,400	64,000	64,000	64,000	64,000
3" 1/4	590	72,000	144,000	72,000	144,000	100,800	72,000	72,000	151,200	72,000	72,000	72,000	72,000
3" 1/2	665	76,000	152,000	76,000	152,000	106,400	76,000	76,000	159,600	76,000	76,000	76,000	76,000
3" 3/4	740	80,000	160,000	80,000	160,000	112,000	80,000	80,000	168,000	80,000	80,000	80,000	80,000
4"	740	88,000	176,000	88,500	176,000	123,200	88,000	88,000	184,800	88,000	88,000	88,000	88,000
3/8"	8	2,800	5,600	1,200	2,400	1,680	1,200	1,200	2,520	1,200	1,200	1,200	1,200
1/2"	12	3,800	7,600	1,800	3,600	2,520	1,800	1,800	3,780	1,800	1,800	1,800	1,800
5/8"	40	7,000	14,000	3,200	6,400	4,480	3,200	3,200	6,720	3,200	3,200	3,200	3,200
3/4"	80	12,000	24,000	4,750	9,500	6,650	4,750	4,750	9,975	4,750	4,750	4,750	4,750
1"	125	15,000	30,000	7,500	15,000	10,500	7,500	7,500	15,750	7,500	7,500	7,500	7,500
1" 1/4	200	19,000	38,000	12,200	24,400	17,080	12,200	12,200	25,620	12,200	12,200	12,200	12,200
1" 1/2	240	25,000	50,000	20,000	40,000	28,000	20,000	20,000	42,000	20,000	20,000	20,000	20,000

5:1



Oficiální prodejce:



Šalounova 746/31
703 00 Ostrava - Vítkovice
www.pavlinek.cz

Tel.: +420 595 693 911
Fax: +420 595 693 958
E-mail: obchod@pavlinek.cz

LOAD ANGLE CHART

SUMMARY METRIC

$\beta_{max} : 60^\circ$
L : Load

max. load in t	Lifting Type	1		2		1		2		2		3 → 4		
		0°	90°	0°	90°	0° → 45°	90°	0° → 45°	90°	0° → 45°	46° → 60°	Asymmetric	46° → 60°	Asymmetric
Size	Torque (Nm)													
M 6	4	0,25	0,15	0,50	0,30	0,21	0,15	0,15	0,15	0,15	0,15	0,15	0,15	0,15
M 8	6	0,50	0,30	1,00	0,60	0,42	0,30	0,30	0,30	0,30	0,30	0,30	0,30	0,30
M 10	10	0,90	0,50	1,80	1,00	0,70	0,50	0,50	0,50	0,50	0,50	0,50	0,50	0,50
M 12	15	1,00	0,80	2,00	1,60	1,12	0,80	0,80	0,80	0,80	0,80	0,80	0,80	0,80
M 14	30	1,60	1,00	3,20	2,00	1,40	1,00	1,00	1,00	1,00	1,00	1,00	1,00	1,00
M 16	50	1,90	1,50	3,80	3,00	2,10	1,50	1,50	1,50	1,50	1,50	1,50	1,50	1,50
M 18	70	1,90	1,50	3,80	3,00	2,10	1,50	1,50	1,50	1,50	1,50	1,50	1,50	1,50
M 20	100	1,90	1,60	3,80	3,20	2,24	1,60	1,60	1,60	1,60	1,60	1,60	1,60	1,60
M 22	120	3,50	2,20	7,00	4,40	3,08	2,20	2,20	2,20	2,20	2,20	2,20	2,20	2,20
M 24	160	3,50	2,70	7,00	5,40	3,78	2,70	2,70	2,70	2,70	2,70	2,70	2,70	2,70
M 27	200	3,60	2,90	7,20	5,80	4,06	2,90	2,90	2,90	2,90	2,90	2,90	2,90	2,90
M 30	250	3,70	3,50	7,40	7,00	4,90	3,50	3,50	3,50	3,50	3,50	3,50	3,50	3,50
M 24	160	2,70*	2,70*	5,40*	5,40*	3,78*	2,70*	2,70*	2,70*	2,70*	2,70*	2,70*	2,70*	2,70*
M 30	250	3,50*	3,50*	7,00*	7,00*	4,90*	3,50*	3,50*	3,50*	3,50*	3,50*	3,50*	3,50*	3,50*
M 33	250	3,50*	3,50*	7,00*	7,00*	4,90*	3,50*	3,50*	3,50*	3,50*	3,50*	3,50*	3,50*	3,50*
M 36	320	5,00*	5,00*	10,00*	10,00*	7,00*	5,00*	5,00*	5,00*	5,00*	5,00*	5,00*	5,00*	5,00*
M 36x3	320	5,00*	5,00*	10,00*	10,00*	7,00*	5,00*	5,00*	5,00*	5,00*	5,00*	5,00*	5,00*	5,00*
M 39	320	5,00*	5,00*	10,00*	10,00*	7,00*	5,00*	5,00*	5,00*	5,00*	5,00*	5,00*	5,00*	5,00*
M 42	400	6,00*	6,00*	12,00*	12,00*	8,40*	6,00*	6,00*	6,00*	6,00*	6,00*	6,00*	6,00*	6,00*
M 42x3	400	6,00*	6,00*	12,00*	12,00*	8,40*	6,00*	6,00*	6,00*	6,00*	6,00*	6,00*	6,00*	6,00*
M 45	400	6,00	6,00	12,00	12,00	8,40	6,00	6,00	6,00	6,00	6,00	6,00	6,00	6,00
M 48	600	6,40	6,40	12,80	12,80	8,96	6,40	6,40	6,40	6,40	6,40	6,40	6,40	6,40
M 48x3	600	6,40	6,40	12,80	12,80	8,96	6,40	6,40	6,40	6,40	6,40	6,40	6,40	6,40
M 48x4	600	6,40	6,40	12,80	12,80	8,96	6,40	6,40	6,40	6,40	6,40	6,40	6,40	6,40
M 52	600	6,40	6,40	12,80	12,80	8,96	6,40	6,40	6,40	6,40	6,40	6,40	6,40	6,40
M 56	600	8,00	8,00	16,00	16,00	11,20	8,00	8,00	8,00	8,00	8,00	8,00	8,00	8,00
M 56x4	600	8,00	8,00	16,00	16,00	11,20	8,00	8,00	8,00	8,00	8,00	8,00	8,00	8,00
M 12	15	0,55*	0,55*	1,10*	1,10*	0,77*	0,55*	0,55*	0,55*	0,55*	0,55*	0,55*	0,55*	0,55*
M 16	50	1,20*	1,20*	2,40*	2,40*	1,68*	1,20*	1,20*	1,20*	1,20*	1,20*	1,20*	1,20*	1,20*
M 20	100	1,50*	1,50*	3,00*	3,00*	2,10*	1,50*	1,50*	1,50*	1,50*	1,50*	1,50*	1,50*	1,50*
M 24	100	2,50*	2,50*	5,00*	5,00*	3,50*	2,50*	2,50*	2,50*	2,50*	2,50*	2,50*	2,50*	2,50*

4:1



SS.DSR



SS.DSS



SS.SFB

Oficiální prodejce:



Šalounova 746/31
703 00 Ostrava - Vítkovice
www.pavlinek.cz

Tel.: +420 595 693 911
Fax: +420 595 693 958
E-mail: obchod@pavlinek.cz

* In certification process with higher WILL / En cours d'homologation avec CMU plus élevée / In Entwicklungsphase mit höheren Tragfähigkeitswerten / En proceso de homologación con una CMU más elevada

LOAD ANGLE CHART

SUMMARY UNC

$\beta_{max} : 60^\circ$
L : Load

max. load in lbs	Lifting Type	1		2		1		2		2		3 → 4	
		0°	90°	0°	90°	0° → 45°	90°	0° → 45°	90°	0° → 45°	Asymmetric	0° → 45°	Asymmetric
Size	Lifting angle β	Torque (ft-lb)											
1/4"	3	850	500	1,700	1,000	700	1,000	500	1,000	500	500	1,050	500
5/16"	5	1,100	650	2,200	1,300	910	1,300	650	1,300	650	650	1,365	650
3/8"	8	1,800	1,000	3,600	2,000	1,400	2,000	1,000	2,000	1,000	1,000	2,100	1,000
1/2"	12	2,500	1,800	5,000	3,600	2,520	3,600	1,800	3,600	1,800	1,800	3,780	1,800
5/8"	40	4,500	3,000	9,000	6,000	4,200	6,000	3,000	6,000	3,000	3,000	6,300	3,000
3/4"	80	4,500	3,800	9,000	7,600	5,320	7,600	3,800	7,600	3,800	3,800	7,980	3,800
7/8"	90	8,500	5,100	17,000	10,200	7,140	10,200	5,100	10,200	5,100	5,100	10,710	5,100
1"	125	8,500	6,000	17,000	12,000	8,400	12,000	6,000	12,000	6,000	6,000	12,600	6,000
1"	125	6,000*	6,000*	12,000*	12,000*	8,400*	12,000*	6,000*	12,000*	6,000*	6,000*	12,600*	6,000*
1" 1/4	200	7,500*	7,500*	15,000*	15,000*	10,500*	15,000*	7,500*	15,000*	7,500*	7,500*	15,750*	7,500*
1" 3/8	240	7,500*	7,500*	15,000*	15,000*	10,500*	15,000*	7,500*	15,000*	7,500*	7,500*	15,750*	7,500*
1" 1/2	240	11,000*	11,000*	22,000*	22,000*	15,400*	22,000*	11,000*	22,000*	11,000*	11,000*	23,100*	11,000*
2"	450	14,000	14,000	28,000	28,000	19,600	28,000	14,000	28,000	14,000	14,000	29,400	14,000

4:1



SS.DSR



SS.DSS

* In certification process with higher WLL / En cours d'homologation avec CMU plus élevée / In Entwicklungsphase mit höheren Tragfähigkeitswerten / En proceso de homologación con una CMU más elevada

Oficiální prodejce:



Šalounova 746/31
703 00 Ostrava - Vítkovice
www.pavlinek.cz

Tel.: +420 595 693 911
Fax: +420 595 693 958
E-mail: obchod@pavlinek.cz

LOAD ANGLE CHART

SUMMARY METRIC

$\beta_{max} : 60^\circ$
L : Load

max. load in t	Lifting Type	1		2		1		2		2		3 → 4	
		0°	90°	0°	90°	90°	0° → 45°	46° → 60°	Asymmetric	0° → 45°	46° → 60°	Asymmetric	
Number of rings	Lifting angle β												
Size	Torque (Nm)												
M 6	4	0,20	0,10	0,40	0,20	0,10	0,14	0,10	0,10	0,21	0,10	0,10	0,10
M 8	6	0,40	0,30	0,80	0,60	0,30	0,42	0,30	0,30	0,63	0,30	0,30	0,30
M 10	10	0,70	0,50	1,40	1,00	0,50	0,70	0,50	0,50	1,05	0,50	0,50	0,50
M 12	15	0,90	0,80	1,80	1,60	0,80	1,12	0,80	0,80	1,68	0,80	0,80	0,80
M 14	30	1,20	1,00	2,40	2,00	1,00	1,40	1,00	1,00	2,10	1,00	1,00	1,00
M 16	50	1,50	1,40	3,00	2,80	1,40	1,96	1,40	1,40	2,94	1,40	1,40	1,40
M 18	70	1,50	1,40	3,00	2,80	1,40	1,96	1,40	1,40	2,94	1,40	1,40	1,40
M 20	100	1,50	1,40	3,00	2,80	1,40	1,96	1,40	1,40	2,94	1,40	1,40	1,40
M 22	120	2,80	2,20	5,60	4,40	2,20	3,08	2,20	2,20	4,62	2,20	2,20	2,20
M 24	160	2,80	2,70	5,60	5,40	2,70	3,78	2,70	2,70	5,67	2,70	2,70	2,70
M 27	200	2,90	2,80	5,80	5,60	2,80	3,92	2,80	2,80	5,88	2,80	2,80	2,80
M 30	250	3,00	3,00	6,00	6,00	3,00	4,20	3,00	3,00	6,30	3,00	3,00	3,00
M 24	160	2,70	2,70	5,40	5,40	2,70	3,78	2,70	2,70	5,67	2,70	2,70	2,70
M 30	250	3,50	3,50	7,00	7,00	3,50	4,90	3,50	3,50	7,35	3,50	3,50	3,50
M 33	250	3,50	3,50	7,00	7,00	3,50	4,90	3,50	3,50	7,35	3,50	3,50	3,50
M 36	320	5,00	5,00	10,00	10,00	5,00	7,00	5,00	5,00	10,50	5,00	5,00	5,00
M 36x3	320	5,00	5,00	10,00	10,00	5,00	7,00	5,00	5,00	10,50	5,00	5,00	5,00
M 39	320	5,00	5,00	10,00	10,00	5,00	7,00	5,00	5,00	10,50	5,00	5,00	5,00
M 42	400	6,00	6,00	12,00	12,00	6,00	8,40	6,00	6,00	12,60	6,00	6,00	6,00
M 42x3	400	6,00	6,00	12,00	12,00	6,00	8,40	6,00	6,00	12,60	6,00	6,00	6,00
M 12	15	0,55	0,55	1,10	1,10	0,55	0,77	0,55	0,55	1,15	0,55	0,55	0,55
M 16	50	1,20	1,20	2,40	2,40	1,20	1,68	1,20	1,20	2,52	1,20	1,20	1,20
M 20	100	1,50	1,50	3,00	3,00	1,50	2,10	1,50	1,50	3,15	1,50	1,50	1,50
M 24	100	2,50	2,50	5,00	5,00	2,50	3,50	2,50	2,50	5,25	2,50	2,50	2,50

5:1



SS.DSR



SS.DSS



SS.SEB

Oficiální prodejce:



Šalounova 746/31
703 00 Ostrava - Vítkovice
www.pavlinek.cz

Tel.: +420 595 693 911
Fax: +420 595 693 958
E-mail: obchod@pavlinek.cz

LOAD ANGLE CHART

SUMMARY UNC

$\beta_{max} : 60^\circ$
L : Load

max. load in lbs	Lifting Type	1		2		1		2		2		3 → 4			
		0°	90°	0°	90°	0° → 45°	90°	0° → 45°	90°	0° → 45°	46° → 60°	Asymmetric	46° → 60°	Asymmetric	
Size	Torque (ft-lb)														
1/4"	3	650	400	1,300	800	560	400	400	400	840	400	400	400		
5/16"	5	900	600	1,800	1,200	840	600	600	600	1,260	600	600	600		
3/8"	8	1,400	1,000	2,800	2,000	1,400	1,000	1,000	1,000	2,100	1,000	1,000	1,000		
1/2"	12	2,000	1,800	4,000	3,600	2,520	1,800	1,800	1,800	3,790	1,800	1,800	1,800		
5/8"	40	3,500	2,500	7,000	5,000	3,500	2,500	2,500	2,500	5,250	2,500	2,500	2,500		
3/4"	80	3,500	3,600	7,000	7,200	5,040	3,600	3,600	3,600	7,560	3,600	3,600	3,600		
7/8"	90	7,000	5,000	14,000	10,000	7,000	5,000	5,000	5,000	10,500	5,000	5,000	5,000		
1"	125	7,000	6,000	14,000	12,000	8,400	6,000	6,000	6,000	12,600	6,000	6,000	6,000		
1"	125	6,000	6,000	12,000	12,000	8,400	6,000	6,000	6,000	12,600	6,000	6,000	6,000		
1" 1/4	200	7,500	7,500	15,000	15,000	10,500	7,500	7,500	7,500	15,750	7,500	7,500	7,500		
1" 3/8	240	7,500	7,500	15,000	15,000	10,500	7,500	7,500	7,500	15,750	7,500	7,500	7,500		
1" 1/2	240	11,000	11,000	22,000	22,000	15,400	11,000	11,000	11,000	23,100	11,000	11,000	11,000		

5:1



SS.DSR

SS.DSS

Oficiální prodejce:

PAVLÍNEK
VÁZACÍ PROSTŘEDKY

Šalounova 746/31
703 00 Ostrava - Vítkovice
www.pavlinek.cz

Tel.: +420 595 693 911
Fax: +420 595 693 958
E-mail: obchod@pavlinek.cz

THREAD CHART - TABLEAU DE FILETAGE - GEWINDETABELLE - TABLA DE ROSCA

METRIC THREADS					OTHER THREADS											ROUND THREADS			CYLINDRICAL GAS THREADS (G or BSPP)		
SIZE	NOMINAL DIAMETER (in mm)	DISTANCE BETWEEN 2 THREADS (IN MM)		FINE THREAD PITCH	SIZE	NOMINAL DIAMETER		NUMBER OF THREADS PER INCH								SIZE	THREAD PITCH	NOMINAL DIAMETER (mm)	NUMBER OF THREADS PER INCH		
		STANDARD THREAD PITCH				inch	mm	UNC	UNF	UNJF	BSW	BSF	8 UN								
M 4	4	0.7	0.5														1/16" G	28			
M 5	5	0.8	0.5														1/8" G	28			
M 6	6	1	0.75		1/4"	0.25	6.35	20	28	28	20	26					1/4" G	19			
M 7	7	1	0.75																		
M 8	8	1.25	1	0.75	9/32"	0.28	7.14					26					Rd8				
M 9	9	1.25	1	0.75	5/16"	0.31	7.95	18	24	24	18	22					Rd9				
M 10	10	1.5	1	0.75	3/8"	0.38	9.56	16	24	24	16	20					Rd10	19			
M 11	11	1.5	1	0.75	7/16"	0.43	10.92	14	20	20	14	18					Rd11				
M 12	12	1.75	1	1.25	1/2"	0.50	12.70	13	20	20	12	16					Rd12	14			
M 14	14	2	1.5	1.25	9/16"	0.56	14.22	12	18	18	12	16					Rd14				
M 15	15	2	1.5	1	5/8"	0.63	15.88	11	18	18	11	14					5/8" G	14			
M 16	16	2	1.5	1	11/16"	0.69	17.48	11				14					Rd16				
M 17	17	2.5	1.5	1	3/4"	0.75	19.05	10	16	16	10	12					3/4" G	14			
M 18	18	2.5	2	1.5	7/8"	0.81	20.55					12					Rd18				
M 20	20	2.5	2	1.5	13/16"	0.88	22.23	9	14	14	9	11					Rd20	14			
M 22	22	2.5	2	1.5	1"	1.00	25.40	8	12/14	12	8	10					Rd22	11			
M 24	24	3	2	1.5	1 1/8"	1.13	28.58	7	12	12	7	9	6				Rd24	11			
M 25	25	3	2	1.5	1 1/4"	1.26	31.75	7	12	12	7	9	8				Rd26	11			
M 27	27	3	2	1.5	1 3/8"	1.38	34.93	6	12	12	6	8	8				1 3/8 G	11			
M 28	28	3.5	2	1.5	1 1/2"	1.50	38.10	6	12	12	5	8	8				1 1/2 G	11			
M 30	30	3.5	3	2	1 5/8"	1.63	41.28				5	8	8				Rd30				
M 32	32	3.5	2	1.5	1 3/4"	1.75	44.45	5			5	7	8				Rd32	11			
M 33	33	3.5	3	2	1 7/8"	1.88	47.63				4.5	8					Rd34				
M 35	35	4	2	1.5	2"	2.00	50.80	4.5			4.5	7	8				2" G	11			
M 36	36	4	3	2	2 1/4"	2.25	57.15	4.5			4	6	8				2 1/4 G	11			
M 39	39	4	3	2	2 1/2"	2.50	63.50	4			4	6	8				2 1/2 G	11			
M 40	40	4	3	2	2 3/4"	2.75	69.85	4			3.5	6	8				2 3/4 G	11			
M 42	42	4.5	4	3	3"	3.00	76.20	4			3.5	5	8				Rd42	11			
M 45	45	4.5	4	3	3 1/4"	3.25	82.55	4			3.25	5	8				Rd44	11			
M 48	48	5	4	3	3 1/2"	3.50	88.90	4			3.25	4.5	8				3 1/2 G	11			
M 50	50	5	4	3	3 3/4"	3.75	95.25	4			3	4.5	8				Rd48	11			
M 52	52	5	4	3	4"			4			3	4.5	8				Rd50				
M 55	55	5.5	4	3	2	1.5											Rd52				
M 56	56	5.5	4	3	2	1.5											Rd55				
M 58	58	5.5	4	3	2	1.5											Rd58				
M 60	60	5.5	4	3	2	1.5											Rd60				
M 62	62	6	4	3	2	1.5											Rd62				
M 64	64	6	4	3	2	1.5															
M 65	65	6	4	3	2	1.5															
M 68	68	6	4	3	2	1.5															
M 70	70	6	4	3	2	1.5															
M 72	72	6	4	3	2	1.5															
M 75	75	6	4	3	2	1.5															
M 76	76	6	4	3	2	1.5															
M 80	80	6	4	3	2	1.5															
M 85	85	6	4	3	2	1.5															
M 90	90	6	4	3	2	1.5															
M 95	95	6	4	3	2	1.5															
M 100	100	6	4	3	2	1.5															



1	In stock / En stock / Auf Lager / En stock
1	Lead Time: max. 5 days - delivery time excluded / Délai max. 5 jours hors transport / Lieferzeit: 5 Werktage ohne Transport / Plazo max. 5 días laborales sin transporte
✓	Different threads pitch available / Plusieurs pas disponibles / Mehrere Gewindesteigungen erhältlich / Varios pasos disponibles

Non-exhaustive list ; for the feasibility of a thread type not included in this table do not hesitate to contact CODIPRO
 Liste non exhaustive ; pour la faisabilité d'un filetage non repris dans ce tableau, n'hésitez pas à contacter CODIPRO
 Liste nicht vollständig ; bei Gewindesteigungen, die nicht aufgeführt sind, kontaktieren Sie CODIPRO
 Para una rosca que no figura en la tabla, por favor, contacten ya que la lista retorna solo una parte de las roscas posibles.

Oficiální prodejce:



Šalounova 746/31
 703 00 Ostrava - Vítkovice
 www.pavlinek.cz

Tel.: +420 595 693 911
 Fax: +420 595 693 958
 E-mail: obchod@pavlinek.cz

LEGENDE

1. Technische Informationen

2. Qualität und Zertifizierung



























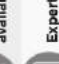































































3. Service

LEGEND

1. Technical information

2. Quality & certification

3. Service

 GRADUP-Stahl Wirbelingschraube	 Sonderlösungen auf Wunsch	 GRADUP steel ring	 Other variants available on request
 Drehbar unter Last	 Keine Mindestbestellmenge	 Swiveling under load	 Unit production
 360° drehbar	 Kurze Lieferzeit garantiert	 360° rotation	 Fast delivery guaranteed
 180° schwenkbar	 Kontrolle und Reparatur	 180° articulation	 Control and reconditioning
 Sicherheitsfaktor 5	 Drehmomentschlüssel	 5:1	 Torque key
 Sicherheitsfaktor 4	 Haltedern auf Wunsch	 4:1	 Blocking springs available on request
 Verzinkung	 Management-Tool zur Rückverfolgbarkeit optional erhältlich	 Zn	 Traceability management tool (specialised for lifting) available on request
 100% rissgeprüfte Wirbelingschrauben	 Charta	 Control anti-crack on 100% of products	 Expert's charter
 Lastwechseltest	 Technische Schulung auf Wunsch	 Fatigue test	 Sales training available on request
 Edelstahl	 Verfügbare App auf Android	 Stainless Steel	 App available on Android
 PSA-A Inschlagpunkt	 Verfügbare App auf Appia	 PE	 App available on Apple
 Zwei Verschraubungsmöglichkeiten	 Händlerportal/Extranet	 Two ways of tightening	 Distributor portal/Extranet
 Zulässiger Temperaturbereich von -20°C bis +200°C	 Weltweite Präsenz	 Material developed for temperature between -20°C and +200°C	 Worldwide presence
 Innengewinde	 Einzelverpackung	 Female version	 Individual packaging
 Außengewinde	 RFID auf Wunsch verfügbar	 Male version	 RFID available on request
 Höchstbelastung bis zu 125 Tonnen	 3D Zeichnungen zum Download verfügbar	 WLL up to 125 tons	 3D download available
 Metrisches Gewinde	 Alle Wirbelingschrauben sind mit Gebrauchsanweisung geliefert	 Metrical thread	 Each ring is accompanied with use recommendations
 Zollgewinde	 Lieferung mit Konformitätszertifikat	 UNC thread	 Delivery with certificate of compliance
 Schmiedeteile	 Zertifiziert nach ISO 9001	 Forging production	 Certified ISO 9001
 Einsatz als Zurrpunkt möglich	 Zertifiziert nach ISO 14001	 Possible use for lashing	 Certified ISO 14001
 Kontrolle	 Made in Luxembourg	 Visual control	 Made in Luxembourg
 Langzeitfettung	 Getestet nach der Norm EN 16774	 Permanent lubrication	 Tested according to standard EN 16774
 Zentrierung auf Wunsch	 Entspricht der Norm EN 795:2012	 Centring version available on request	 Comply to standard EN 795:2012
Individueller Rückverfolgbarkeitscode	Individual traceability number	Individual traceability number	Individual traceability number

Oficiální prodejce:



Šalounova 746/31
703 00 Ostrava - Vítkovice
www.pavlinek.cz

Tel.: +420 595 693 911
Fax: +420 595 693 958
E-mail: obchod@pavlinek.cz

LEYENDA

1. Información técnica

2. Calidad y certificación

3. Servicio

LÉGENDE

1. Information technique

2. Qualité & certification

3. Service

	Cáncamo de acero GRADUP		Anneau d'acier GRADUP		Autres variantes disponibles sur demande
	Rotación bajo carga		Producción por unidad		Production possible à l'unité
	Rotación a 360°		Garantía de plazo de entrega corto		Livraison rapide garantie
	Articulación a 180°		Control y reparaciones posibles por Codipro		Contrôle et remise en état
	Coefficiente de seguridad 5:1		Llave de fijación		Embout de serrage SEB
	Coefficiente de seguridad 4:1		Clips de sujeción disponibles bajo solicitud		Clips de maintien disponibles sur demande
	Galvanización		Herramienta de trazabilidad (propio al izaje) disponible bajo solicitud		Outil de gestion de traçabilité (spécialisé pour le levage) disponible sur demande
	100% de nuestros cáncamos están aprobados anti fisuras		Carta comercial		Charte commerciale
	Prueba de fatiga		Formación técnico-commercial disponible bajo solicitud		Formation technico-commercial disponible sur demande
	Acero inoxidable		Aplicación disponible en Android		Application disponible sur Android
	Cáncamo anti caídas para seguridad de las personas		Aplicación disponible en Apple		Application disponible sur Apple
	Doble posibilidad de fijación		Portal distribuidor/Extranet		Portail distributeur/Extranet
	Material concebido para temperaturas de uso de -20°C hasta +200°C		Presencia a nivel mundial		Présence mondiale
	Versión hembra		Empaque individual		Emballage individuel
	Versión macho		RFid disponible bajo solicitud		RFid disponible sur demande
	CMU hasta 125 toneladas		Fichero 3D disponible para descargar		Téléchargement 3D disponible
	Versión métrica		Cada cáncamo viene con su manual de instrucciones y certificado de conformidad		Chaque anneau est livré avec notice d'instruction et certificat de conformité
	Versión UNC		Entrega con certificado de conformidad		Livraison avec certificat de conformité
	Producción en forja		Certificado ISO 9001		Certifié ISO 9001
	Posibilidad de uso para estibar		Certificado ISO 14001		Certifié ISO 14001
	Control visual		Hecho en Luxemburgo		Fabrique au Luxembourg
	Engrase permanente		Puesto a prueba según la norma EN 1677-1		Testé selon la norme EN 1677-1
	Versión con contraje disponible bajo solicitud		Conforme a la norma EN 795:2012		Conforme à la norme EN 795:2012
	Código de trazabilidad individual				

Oficiální prodejce:

PAVLÍNEK
VÁZACÍ PROSTŘEDKY

Šalounova 746/31
703 00 Ostrava - Vítkovice
www.pavlinek.cz

Tel.: +420 595 693 911
Fax: +420 595 693 958
E-mail: obchod@pavlinek.cz

Oficiální prodejce:



PAVLÍNEK
VÁZACÍ PROSTŘEDKY

Šalounova 746/31
703 00 Ostrava - Vítkovice
www.pavlinek.cz

Tel.: +420 595 693 911
Fax: +420 595 693 958
E-mail: obchod@pavlinek.cz

Oficiální prodejce:



Šalounova 746/31
703 00 Ostrava - Vítkovice
www.pavlinek.cz

Tel.: +420 595 693 911
Fax: +420 595 693 958
E-mail: obchod@pavlinek.cz



CODIPRO is part of **ALIPA** GROUP, expert for lifting and packaging solutions



25, Salzbaach - L-9559 WILTZ
Tél : +352 26 81 54 1 - Fax : +352 81 05 17 - info@codipro.net

www.codipro.net