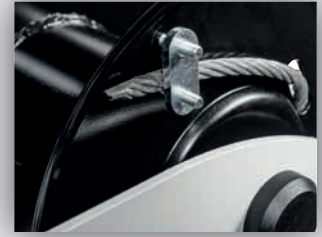




## Worm gear winch WW250-1500




## Worm gear winch

### Product specifications:

- robust and safe hoisting and pulling winch
- in compliance with EN13157, DIN 15020 and EX types ATEX 114 (94/9/EG)
- static safety factor 4
- right angled, easy to grease worm transmission and maintenance free bearings
- cable outlet upwards, downwards or at rear
- adjustable crank, with ergonomic grip
- load pressure brake with double ratchet system
- paint thickness is 60 - 80 micron in 1 layer and in compliance with DIN/ISO 12944, C1M

### Options:

- zinc-plated finish (6 - 8 micron)
- ATEX certified  II 3 GD T4, zone 2 and 22
- grooved drum
- crank force limiter
- double cable drum compartments (2D)
- multiple cable drum compartments
- load limiter

### Accessories:

- steel or stainless steel wire ropes
- pulley blocks suitable for hand winches
- WW1000 and WW1500 are suitable for winch power tool AM5000 and EM5000

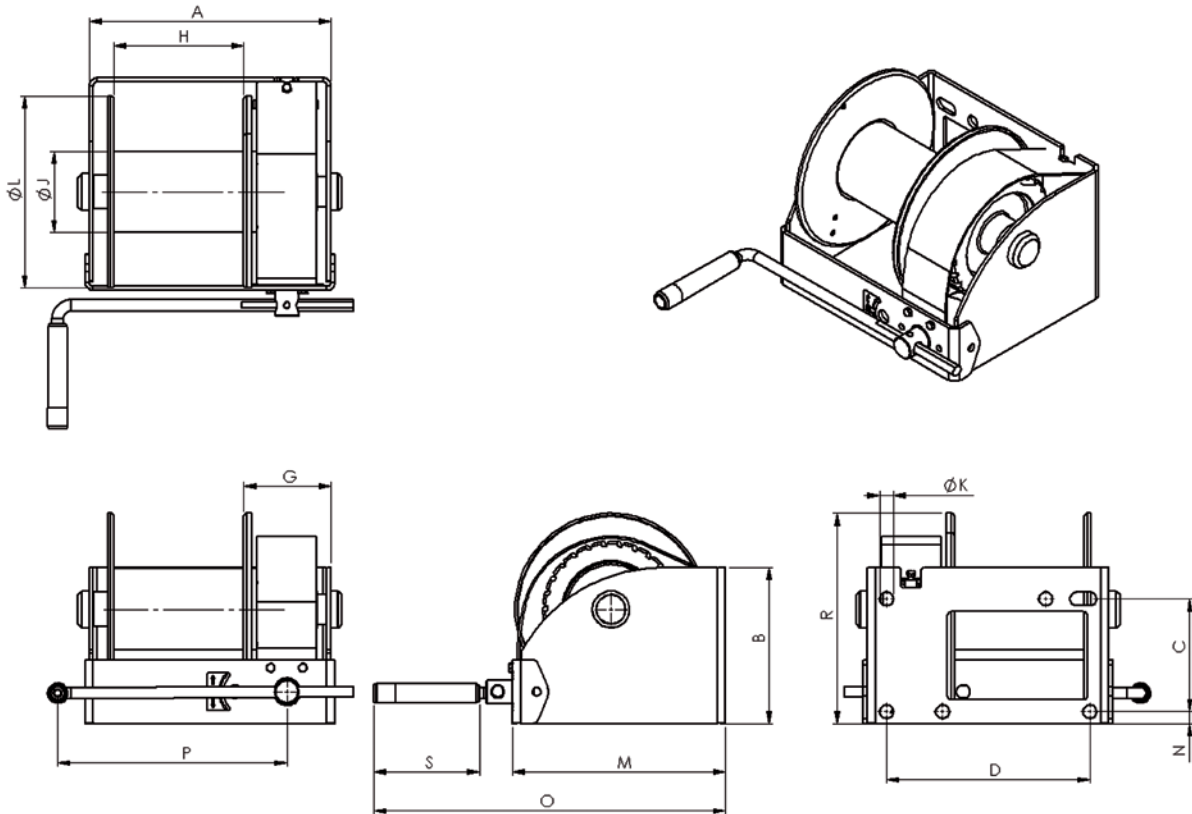


**GEBUWIN**  
metal products

Industrieweg 6, 7102 DZ Winterswijk, The Netherlands  
Telephone: +31(0)543 532600 Email: [info@gebuwin.com](mailto:info@gebuwin.com)  
For more information: [www.gebuwin.com](http://www.gebuwin.com)



## Technical specifications WW250-1500



Type	Mounting	Material finish	Remarks
WW250 - 1500 GR / D	Wall, 4x M12 class 8.8	Painted finish	RAL 7035 (grey)
WW250 - 1500 EV / D	Wall, 4x M12 class 8.8	Zinc-plated finish	
WW250 - 1500 GR / 2D	Wall, 4x M12 class 8.8	Painted finish	RAL 7035 (grey)
WW250 - 1500 EV / 2D	Wall, 4x M12 class 8.8	Zinc-plated finish	

Dimensions (mm)	A	B	C	D	G	H (D)	H (2D)	J	K	L	M	N	O	P	R	S
WW250	238	145	100	192	107	105	2 x 47	48	14	160	191	15	365	280	171	132
WW500	269	160	115	223	108	135	2 x 62	70	14	190	221	15	393	325	193	132
WW1000	302	195	141	254	109	162	2 x 73	102	17	240	266	15	440	350	263	132
WW1500	302	250	178	254	109	162	2 x 73	102	17	240	278	15	451	350	306	132

Technical specifications		WW250	WW500	WW1000	WW1500
Capacity 1st cable layer (D)	kg	250	500	1000	1500
Capacity 1st cable layer (2D)	kg	2 x 125	2 x 250	2 x 500	2 x 750
Capacity last cable layer (D)	kg	92	224	527	846
Capacity last cable layer (2D)	kg	2 x 46	2 x 104	2 x 243	2 x 399
Crankforce 1st cable layer	daN	6	10	13	14
Hoisting length one rotation, 1st layer	mm	17	20	13	9
Max. cable storage, one cable drum (D)	m	104	78	63	41
Max. cable storage, per drum comp. (2D)	m	44	84	64	28
Diameter cable (D)	mm	4	6	8	10
Diameter cable (2D)	mm	4	4	6	8
Min. breaking load cable (D)	kN	7,5	15	30	45
Min. breaking load cable (2D)	kN	4	7,5	15	22,5
Own weight	kg	10	13	22	24



**PAVLÍNEK**<sup>®</sup>  
VÁZACÍ PROSTŘEDKY

EMAIL: [OBCHOD@PAVLINEK.CZ](mailto:OBCHOD@PAVLINEK.CZ)  
TEL: +420 595 693 911  
ŠALOUNOVA 746/31, OSTRAVA VÍTKOVICE  
IČ: 25358511 DIČ: CZ25358511

