



Rev. 20220623

Oficiální prodejce:

**PAVLÍNEK**  
VÁZACÍ PROSTŘEDKY

Šalounova 746/31  
703 00 Ostrava - Vítkovice  
www.pavlinek.cz

Tel.: +420 595 693 911  
Fax: +420 595 693 958  
E-mail: obchod@pavlinek.cz



**ORIGINAL INSTRUCTIONS**  
**KÄÄNNÖS ALKUPERÄISESTÄ KÄYTTÖOHJEESTA**  
**ÖVERSÄTTNING AV ORIGINAL BRUKSANVISNING**  
**HAND PALLET TRUCK**  
**HAARUKKAVAUNU**  
**GAFFELVAGN**

HAVA

*Oficiální prodejce:*

**PAVLÍNEK**  
VÁZACÍ PROSTŘEDKY

Šalounova 746/31  
703 00 Ostrava - Vítkovice  
www.pavlinek.cz

Tel.: +420 595 693 911  
Fax: +420 595 693 958  
E-mail: obchod@pavlinek.cz





Oficiální prodejce:



Šalounova 746/31  
703 00 Ostrava - Vítkovice  
www.pavlinek.cz

Tel.: +420 595 693 911  
Fax: +420 595 693 958  
E-mail: obchod@pavlinek.cz



This is a universal user manual for multiple HAVA hand pallet truck models. Specifications vary by model. The information in this guide is based on data available at the time of printing. The manufacturer reserves the right to make changes to its own products without notice. Please use common sense and caution with the product/model in question and consult the manufacturer if necessary.

**Note:**

1. This hand pallet truck shall be used and maintained according to the manufacturer's requirements.
2. To ensure safety, the hand pallet truck shall not be modified or have attachments fitted.
3. When the cargo weight exceeds 2500 kg (allowed for specific models), please operate the truck by two persons together for labor saving.
4. Model HAVA2012SS: Side-shift function will activate when the fork height is over 180 mm – turn and lock the handle to 90 degrees. Note! Hand pallet truck's capacity is only 1500 kg when the side-shift function is activated – please refer to the product markings.

**1. Applicable range**

- 1.1 Hand pallet truck is a low lift transportation tool which is limited to move palletized cargo. This kind of pallet truck possesses the features of stable lifting, easy operation, safety and reliability etc.
- 1.2 The working place must be non-slip, hard, clean and flat ground/platform without holes or obstacles.
- 1.3 The ambient lighting should be sufficient to enable safe working.

**2. Main parameters (depending on the model)**

|                                     |                             |
|-------------------------------------|-----------------------------|
| Capacity (kg)                       | 1500/2000/2500/3500/5000    |
| Fork length (mm)                    | 600/800/1150/1500/2000/2500 |
| Height fork lowered (mm)            | 55/85                       |
| Max. lifting height (mm)            | 150/200                     |
| Steering wheel diameter $\Phi$ (mm) | 200/180/160/150             |
| Fork wheel diameter $\Phi$ (mm)     | 85/80/75/70/60              |

**3. Assembly of the hand pallet truck**

Assembly must be conducted by a competent person. Before assembly, verify that the spring safety pin (7) is properly in place. The safety pin should rest well in both holes located on each side of the pump housing and hold the spring assy.

- 3.1 See fig. 1. Pull out the coupling pin (1).
- 3.2 Insert the handle (3) to place A (take care that it will be in the right direction). Couple the handle (3) and the pump body (5) with the coupling pin (1).
- 3.3 Set the spring pin (2) (delivered separately) into the designated hole at the end of the coupling pin (1) and fix it with a hammer. The coupling pin must have spring pins at both ends. If both spring pins are delivered separately, then also both should be fixed on each end of the coupling pin. Take care that the coupling pin is mounted into the correct position (middle hole is facing towards the handle inner chain, so it can be threaded through smoothly).
- 3.4 See fig. 2. Put the chain (4) of the handle through the middle hole of the coupling pin (1).
- 3.5 Take the screw nut which is at the end of the chain (4) and hitch it to the groove of the lever board (6). See fig. 2 and fig. 4.
- 3.6 See fig. 3. Turn the handle to level position and pull out the spring safety pin (7).

Oficiální prodejce:



Šalounova 746/31  
703 00 Ostrava - Vítkovice  
www.pavlinek.cz

Tel.: +420 595 693 911  
Fax: +420 595 693 958  
E-mail: obchod@pavlinek.cz

**Haklift Oy**  
Asessorinkatu 3-7  
20780 Kaarina, Finland  
Tel. +358 2 511 5511  
sales@haklift.com  
www.haklift.com



Oficiální prodejce:

**PAVLÍNEK**  
VÁZACÍ PROSTŘEDKY

Šalounova 746/31  
703 00 Ostrava - Vítkovice  
www.pavlinek.cz

Tel.: +420 595 693 911  
Fax: +420 595 693 958  
E-mail: obchod@pavlinek.cz

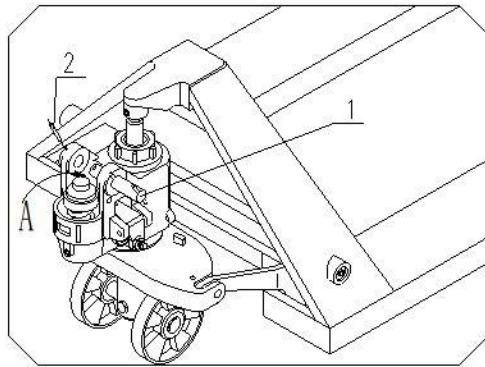


Fig. 1

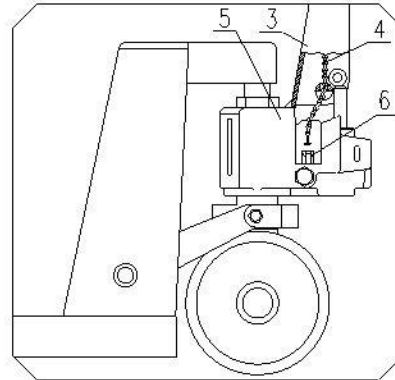


Fig. 2

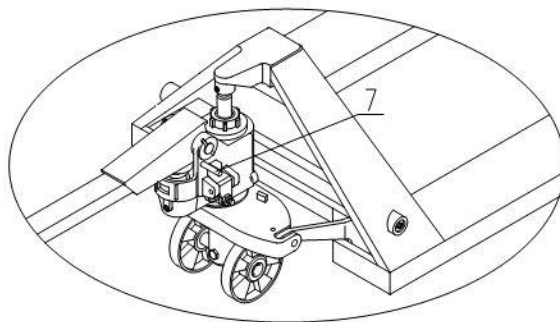


Fig. 3

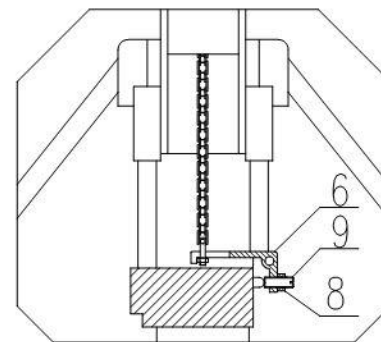


Fig. 4

Note: Models HAVA2500MEK and HAVA2500KT require more detailed assembly.

#### 4. Testing the hand pallet truck

4.1 After the truck has been assembled, try to rock the handle and operate different positions of the control handle knob (10) to examine lift, free and drop positions and check that they work normally. See fig. 5.

4.2 The screw (9) in fig. 4 is used to adjust the truck operation. If the truck body drops immediately after it is lifted, you should turn the screw (9) a little counterclockwise and then try to operate the truck again until the truck body will lift normally. If the truck body cannot be lowered after it is lifted, you should turn the screw (9) a little clockwise and then try to operate the truck again until the truck body can lower normally. The external hexagon nut (8) at the screw (9) serves as a locking mechanism of the adjustment (screw). You should loosen the external hexagon nut (8) before adjustment and tighten the nut (8) after finishing the adjustment.

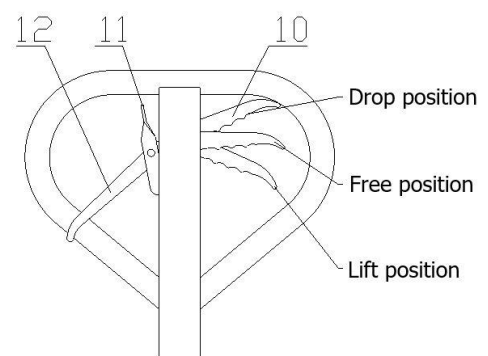


Fig. 5

**Note!** The lock nut (which is to be placed under the groove of the lever board) at the end of the handle inner chain (4) should not be adjusted. If nylon locking threads are removed from the screw threads, rolling vibration will cause the nut to unscrew and thus detach the chain leaving the control handle knob unusable.

Oficiální prodejce:

**PAVLÍNEK**  
VÁZACÍ PROSTŘEDKY

Šalounova 746/31  
703 00 Ostrava - Vítkovice  
www.pavlinek.cz

Tel.: +420 595 693 911  
Fax: +420 595 693 958  
E-mail: obchod@pavlinek.cz

Haklift Oy

Asessorinkatu 3-7  
20780 Kaarina, Finland  
Tel. +358 2 511 5511  
sales@haklift.com  
www.haklift.com

Lifting Solutions Group  
Axel Johnson International



Oficiální prodejce:

**PAVLÍNEK**  
VÁZACÍ PROSTŘEDKY

Šalounova 746/31  
703 00 Ostrava - Vítkovice  
www.pavlinek.cz

Tel.: +420 595 693 911  
Fax: +420 595 693 958  
E-mail: obchod@pavlinek.cz



## 5. Operation manual

5.1 Before operation of the hand pallet truck, please make sure that the cargo weight does not exceed the rated load.

5.2 The cargo loading type is shown in fig. 6.

5.3 See fig. 5, when the control handle knob (10) is placed to "lift position", the truck will be in a lift state. At this time, if you rock the handle, the truck forks will lift.

5.4 See fig. 5, when the control handle knob (10) is placed to "free position", the truck will be at travel mode. At this time, if you rock the handle, the truck will neither lift or lower. You can use the truck to move the cargo.

5.5 See fig. 5, when the control handle knob (10) is placed to "drop position", the truck forks will lower automatically. Be careful when lowering the load! See also item 13.2 related.

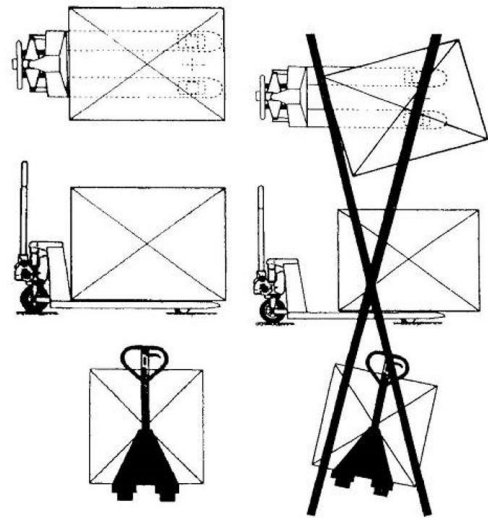


Fig. 6

## 6. Points for attention and safety norms

6.1 Operators must wear suitable work clothes, safety shoes and gloves when operating the hand pallet truck.

6.2 When hand pallet trucks are transported by/in a truck, they should be locked/secured in place in order to prevent the pallet trucks from moving.

6.3 When the pallet truck is used for motor vehicle loading, the truck must be moved slowly to ensure safety.

6.4 Wheels, bearings and bushings of the truck are wearing parts. Please change them according to need.

6.5 Do not park the hand pallet truck on a slope or in emergency passages.

6.6 When the hand pallet truck is used on a slope, the operator should operate the pallet truck carefully to ensure safety, and the operator should be on the top side of the slope. It is forbidden to make turns on a slope.

6.7 It is forbidden to stop the pallet truck on a slope.

6.8 When the hand pallet truck is not in use, the forks should be lowered to the lowest position.

6.9 Do not park the truck at places where it will block the traffic or it is inconvenient for work.

6.10 Do not use the truck in rainy environment.

6.11 It is forbidden for the operator to sit or stand on the hand pallet truck (to operate the truck).

6.12 Hand pallet truck is suitable for use on hard, flat, clean/dry and unobstructed ground/platform. Beware of little rocks or similar which could lead to a wheel breakage, especially if a loaded pallet truck is steered over such impurities.

6.13 Do not pile the cargo too high in order to prevent the goods from falling down or overturning of the truck.

6.14 Do not use the hand pallet truck to carry or lift people.

6.15 Untrained personnel are not allowed to stand around the operation area in order to avoid injury caused by sudden malfunction.

6.16 Before the hand pallet truck is pushed into an elevator, the operator should make sure that the elevator can bear the total load of the hand pallet truck and the cargo as well as the total weight of the operator and other personnel in the elevator. When entering the elevator, people should let the load enter first but not the operator. When the load or hand pallet truck enters or leaves the elevator, other personnel should not stay in the elevator.

6.17 Hand pallet truck should be stored in dry and ventilated environment.

6.18 When the cargo weight exceeds 2500 kg (allowed for specific models), please operate the truck by two persons together for labor-saving.

6.19 Hand pallet truck shall be assembled, adjusted, used and serviced by competent personnel with the necessary technical skills and understanding.



Oficiální prodejce:



**PAVLÍNEK**  
VÁZACÍ PROSTŘEDKY

Šalounova 746/31  
703 00 Ostrava - Vítkovice  
www.pavlinek.cz

Tel.: +420 595 693 911  
Fax: +420 595 693 958  
E-mail: obchod@pavlinek.cz



## 7. Inspection before use

If the hand pallet truck is not used for a long time, air may get into the hydraulic system. Due to this, the trouble can be eliminated by the following method: Turn the control handle knob to "drop position" and rock the handle for 4 to 6 times. Then release the knob. If necessary, the process can be repeated for several times until the hand pallet truck can be operated normally.

## 8. Loading type and rated weight

This kind of hand pallet truck is limited to move palletized cargo. The ideal (guideline) loading type is that the center of gravity of the cargo is just in the middle of the truck forks. Rated weight/capacity must be reduced notably if the center of gravity of the cargo is not in the middle as described before. The rated capacity is shown on the product's type label.

## 9. Oil

The oil capacity which oil pump needs is about 250 ml (or 0,25 kg)\*. According to the ISO oil criterion, the choice of oil is 32# when the environment temperature is between -5 °C and 40 °C. The choice of oil is low temperature oil when the environment temperature is between -35 °C and -5 °C. It is important to pay attention to the correct oil level to ensure correct and safe operation of the hand pallet truck. \*may vary by model

## 10. Maintenance and upkeep

Routine check of the hand pallet truck should be conducted daily (and before every use) and every abnormal phenomenon dealt with immediately. Do not use a defective device in order to ensure personnel safety and to prolong the service life of the pallet truck. If any damage or defect is found, please remove the pallet truck from service immediately and turn to a competent specialist. If it is necessary to replace parts, the new parts shall be provided by the original manufacturer. All rotary joints should be lubricated every three months. Pay attention especially to the location between wheels and axis: make sure there is not any yarn or other rags in order to keep all wheels running smoothly. After maintenance and upkeep, place record in the list below.

**Thorough inspection:** On a regular basis (at least once a year; more frequent if required by working conditions) a thorough inspection of the product shall be conducted and documented by a qualified person.

### Maintenance and upkeep recording list

Starting date of use:

| Service date | Reason (defect, inspection etc.) | Parts replaced | Signature |
|--------------|----------------------------------|----------------|-----------|
|              |                                  |                |           |
|              |                                  |                |           |
|              |                                  |                |           |
|              |                                  |                |           |
|              |                                  |                |           |
|              |                                  |                |           |
|              |                                  |                |           |
|              |                                  |                |           |
|              |                                  |                |           |
|              |                                  |                |           |

### Oficiální prodejce:



**PAVLÍNEK**  
VÁZACÍ PROSTŘEDKY

Šalounova 746/31  
703 00 Ostrava - Vítkovice  
www.pavlinek.cz

Tel.: +420 595 693 911  
Fax: +420 595 693 958  
E-mail: obchod@pavlinek.cz

Lifting Solutions Group  
Axel Johnson International

**Haklift Oy**  
Asessorinkatu 3-7  
20780 Kaarina, Finland  
Tel. +358 2 511 5511  
sales@haklift.com  
www.haklift.com



Oficiální prodejce:



Šalounova 746/31  
703 00 Ostrava - Vítkovice  
www.pavlinek.cz

Tel.: +420 595 693 911  
Fax: +420 595 693 958  
E-mail: obchod@pavlinek.cz



## 11. Possible faults and trouble shooting

| No. | Faults  | Causes   | Trouble shooting   |
|-----|---|--|--|
| 1   | The forks can't be lifted to the maximum lift height.   | There is not enough hydraulic oil.   | Add appropriate filtrated working oil.   |
| 2   | The forks can't return to the lowest position.  | 1. Too much hydraulic oil.<br>2. Rotary parts are deformed or blocked.<br>3. Trunk piston and guides bushing are blocked.  | 1. Take out appropriate working oil.<br>2. Replace the parts.  |
| 3   | The forks can't drop after they are lifted.   | 1. There is something abnormal in the unloading device.<br>2. Parts are deformed and damaged.  | 1. Re-adjust the unloading device, see item 4.2.<br>2. Replace the deformed and damaged parts.                                       |
| 4   | Hydraulic oil leakage.  | 1. Oil seal is inoperative.<br>2. The surface of some parts is damaged or worn.<br>3. Coupled places have become loose.  | 1. Replace the oil seal.<br>2. Replace the damaged parts.<br>3. Fasten the loosened place again.                                     |
| 5   | The forks can't be lifted.  | 1. The viscosity of the working oil is too high, or there is no working oil.<br>2. There are impurities in the oil.<br>3. There is something abnormal in the unloading device. | 1. Replace the working oil.<br>2. Clear up the impurity and add new working oil.<br>3. Re-adjust the unloading device, see item 4.2. |
| 6   | When the handle is rocked, the forks drop immediately after they are lifted; the handle returns or the forks drop markedly after they are lifted. | The valve of oil pump is blocked by an abnormal matter.  | Open the valve and take out the parts. Then re-install the parts after they are cleaned.   |

## 12. Disposal of waste oil

The waste hydraulic oil shall be disposed in terms of relevant local laws and regulations. It is forbidden to pour out anywhere.

Oficiální prodejce:



**PAVLÍNEK**  
VÁZACÍ PROSTŘEDKY

Šalounova 746/31  
703 00 Ostrava - Vítkovice  
www.pavlinek.cz

Tel.: +420 595 693 911  
Fax: +420 595 693 958  
E-mail: obchod@pavlinek.cz

Lifting Solutions Group  
Axel Johnson International

**Haklift Oy**  
Asessorinkatu 3-7  
20780 Kaarina, Finland  
Tel. +358 2 511 5511  
sales@haklift.com  
www.haklift.com



Oficiální prodejce:

**PAVLÍNEK**  
VÁZACÍ PROSTŘEDKY

Šalounova 746/31  
703 00 Ostrava - Vítkovice  
www.pavlinek.cz

Tel.: +420 595 693 911  
Fax: +420 595 693 958  
E-mail: obchod@pavlinek.cz

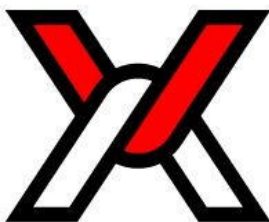


### 13. Warnings and safety

- 13.1 Please read the operation instructions carefully before you operate the hand pallet truck and familiarize yourself with all the features and functions of the device.
- 13.2 When you want to lower the truck forks by controlling the handle knob, the handle knob should be lifted slightly at first and then let the forks down slowly. It is forbidden to pull the handle knob with great force, because rapid dropping could cause damage to both the hand pallet truck and the cargo.
- 13.3 Do not rock the handle at a high speed and in a high frequency.
- 13.4 Do not load or move the cargo at a high speed.
- 13.5 Do not overload the forks/truck. Overloading could prevent the hand pallet truck from working normally.
- 13.6 The center of gravity of the cargo should be in the middle of the truck forks. Offset of the cargo could make the hand pallet truck go out of balance or even damage the device.
- 13.7 Do not load loose or unstable goods.
- 13.8 Do not leave the goods on the truck forks for a long time.
- 13.9 When the truck is not in use, make sure that the truck forks are in the lowest position.
- 13.10 It is forbidden to load people and let them stand on the forks. Do not put any body part below the load.
- 13.11 Do not operate an undesignated position or cargo loading type.
- 13.12 The hand pallet truck shall be used, serviced and repaired according to the manufacturer's requirements and shall not be modified or have attachments fitted.
- 13.13 Do not use the hand pallet truck in an insufficiently illuminated place.
- 13.14 Do not park the hand pallet truck by turning the handle to the right or left.
- 13.15 Do not use the hand pallet truck as a bumper jack.
- 13.16 The extremity of the fork arms shall not be used as a lever to lift a load.
- 13.17 It is forbidden to use the hand pallet truck at places where a risk of unintentional movement exists.
- 13.18 It is forbidden to contact the hand pallet truck with the goods or cargo directly.
- 13.19 Do not use the hand pallet truck in a potentially explosive atmosphere.
- 13.20 During the operation of the hand pallet truck, the operator should pay special attention to feet and other body parts in order to avoid the risk of being crushed.
- 13.21 Do not use a defective hand pallet truck. It must be removed from service immediately.

**NOTE! Exploded views and parts lists can be found from the end of the manual. This is a universal manual, so please note that the exploded views and parts lists may not be completely precise. Consult the manufacturer if necessary.**

**Oficiální prodejce:**



**PAVLÍNEK**  
VÁZACÍ PROSTŘEDKY

Šalounova 746/31  
703 00 Ostrava - Vítkovice  
www.pavlinek.cz

Tel.: +420 595 693 911  
Fax: +420 595 693 958  
E-mail: obchod@pavlinek.cz



Oficiální prodejce:

**PAVLÍNEK**  
VÁZACÍ PROSTŘEDKY

Šalounova 746/31  
703 00 Ostrava - Vítkovice  
www.pavlinek.cz

Tel.: +420 595 693 911  
Fax: +420 595 693 958  
E-mail: obchod@pavlinek.cz



Tämä on yleismallinen käyttöohje usealle eri HAVA-haarukkavaunumallille. Tekniset tiedot vaihtelevat malleittain. Tässä ohjeessa esitetyt tiedot perustuvat tulostushetkellä käytettävissä olevaan dataan. Valmistaja pidättää oikeuden tehdä muutoksia omiin tuotteisiinsa ilman erillistä ilmoitusta. Käytä tervettä järjettä ja varovaisuutta kyseisen tuotteen/mallin suhteen, tarvittaessa konsultoi valmistajaa.

#### Huomio:

1. Haarukkavaunun käytön ja ylläpidon tulee noudattaa valmistajan vaatimuksia.
2. Lisäosien asentaminen tai muutoksien tekeminen haarukkavaunuun ei ole sallittua turvallisuuden takaamiseksi.
3. Kun kuorman paino ylittää 2500 kg (sallittu tietyille malleille), tulee haarukkavaunua käyttää kahden henkilön voimin, jotta työ ei ole liian rasittavaa.
4. Malli HAVA2012SS: Sivusiirto toimii, kun haarukoiden korkeus on yli 180 mm – käännä ja lukitse kahva 90 asteeseen. Huomio! Haarukkavaunun kapasiteetti on vain 1500 kg, kun sivusiirtotoiminto on käytössä – huomioi tuotemerkinnät.

#### 1. Soveltuvuus

1.1 Käsikäyttöinen haarukkavaunu on matalan noston kuormansiirtolaite, jolla voidaan siirtää lavalla olevaa kuormaa. Tämäntyyppisen haarukkavaunun ominaisuuksia ovat muun muassa vakaa nosto, helppokäyttöisyys, turvallisuus ja luotettavuus.

1.2 Työalueen/-alustan tulee olla liukumaton, kova, puhdas ja tasainen pinta, jossa ei ole reikiä tai esteitä.

1.3 Ympäristön valaistuksen tulee olla riittävä, jotta työskentely voidaan suorittaa turvallisesti.

#### 2. Ominaisarvot (mallista riippuen)

|                                       |                             |
|---------------------------------------|-----------------------------|
| Kapasiteetti (kg)                     | 1500/2000/2500/3500/5000    |
| Haarukoiden pituus (mm)               | 600/800/1150/1500/2000/2500 |
| Haarukan korkeus laskettuna (mm)      | 55/85                       |
| Maksimnostokorkeus (mm)               | 150/200                     |
| Ohjauspyörän halkaisija $\Phi$ (mm)   | 200/180/160/150             |
| Haarukkapyörän halkaisija $\Phi$ (mm) | 85/80/75/70/60              |

#### 3. Haarukkavaunun kokoonpano

Kokoonpano tulee suorittaa pätevän henkilön toimesta. Varmista ennen kokoamista, että jousen turvatappi (7) on kunnolla paikallaan. Tapin tulee levätä asianmukaisesti molemmissa rei'issä pumppupesän kummallakin puolella ja pidellä jousikokoonpanoa.

3.1 Katso kuva 1. Vedä yhdystappi (1) ulos.

3.2 Aseta käsikahva (3) kohtaan A (huolehdi, että se asetetaan oikein päin). Yhdistä käsikahva (3) ja pumppuyksikkö (5) yhdystapilla (1).

3.3 Aseta putkisokka (2) (toimitetaan erikseen) yhdystapin (1) määrättyyn reikään ja kiinnitä se vasaralla. Yhdystapissa tulee olla putkisokat molemmissa päissä. Jos molemmat sokat toimitetaan erikseen, tulee myös molemmat kiinnittää yhdystapin kumpaankin päähän. Huolehdi, että yhdystappi asennetaan oikein päin (keskireikä osoittaa käsikahvan sisusketjua kohti, jolloin se voidaan pujottaa reiän läpi sujuvasti).

3.4 Katso kuva 2. Aseta ketju (4) yhdystapin (1) keskellä olevan ison reiän läpi.

3.5 Aseta ketjun (4) päässä oleva mutteri kytkinvivussa olevaan uraan (6). Katso kuvat 2 ja 4.

3.6 Katso kuva 3. Käännä käsikahva vaaka-asentoon ja poista jousen turvatappi (7).

Oficiální prodejce:

**PAVLÍNEK**  
VÁZACÍ PROSTŘEDKY

Šalounova 746/31  
703 00 Ostrava - Vítkovice  
www.pavlinek.cz

Tel.: +420 595 693 911  
Fax: +420 595 693 958  
E-mail: obchod@pavlinek.cz

Lifting Solutions Group  
Axel Johnson International

**Haklift Oy**  
Asessorinkatu 3-7  
20780 Kaarina, Finland  
Tel. +358 2 511 5511  
sales@haklift.com  
www.haklift.com



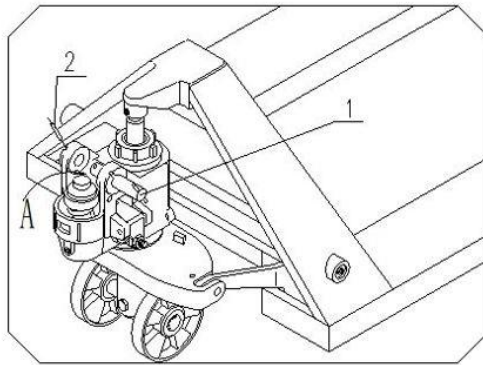


Oficiální prodejce:

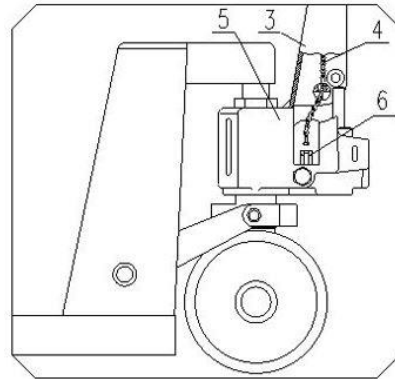
**PAVLÍNEK**  
VÁZACÍ PROSTŘEDKY

Šalounova 746/31  
703 00 Ostrava - Vítkovice  
www.pavlinek.cz

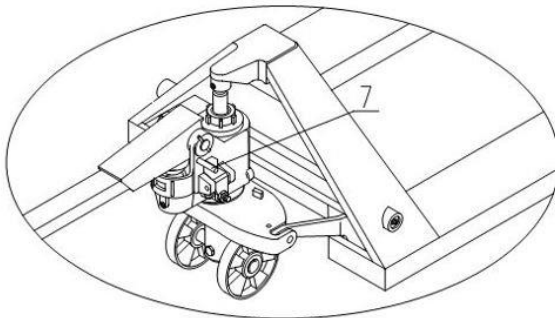
Tel.: +420 595 693 911  
Fax: +420 595 693 958  
E-mail: obchod@pavlinek.cz



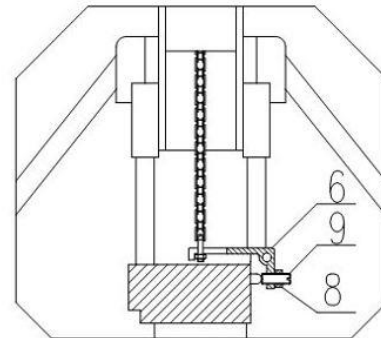
Kuva 1



Kuva 2



Kuva 3



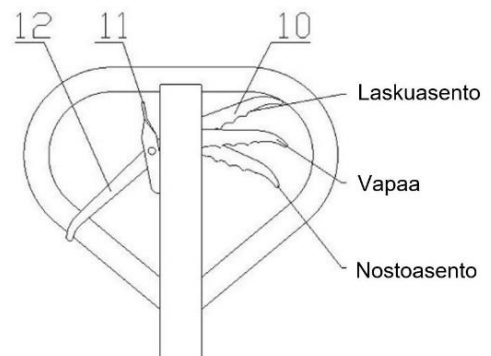
Kuva 4

Huomio: Mallit HAVA2500MEK ja HAVA2500KT vaativat yksityiskohtaisempaa kokoamista.

#### 4. Haarukkavaunun testaaminen ja säätö

4.1 Kun haarukkavaunu on koottu, käytä käsikahvaa ja hallintakäsivivun (10) eri asentoja (nostaminen, vapautus ja laskeminen) varmistaaksesi, että ne kaikki toimivat normaalisti. Katso kuva 5.

4.2 Kuvan 4 ruuvia (9) käytetään vaunun toiminnan säätämiseen. Jos vaunun runko/haarukka laskeutuu heti nostamisen jälkeen, käännä ruuvia (9) hieman vastapäivään ja testaa vaunua, kunnes nosto toimii normaalisti. Jos vaunun runkoa/haarukkaa ei voida laskea noston jälkeen, käännä ruuvia (9) hieman myötäpäivään ja testaa vaunua uudelleen, kunnes se toimii normaalisti. Ruuvien (9) kuusikulmainen mutteri (8) toimii säätömekanismin lukitsimena. Löysää tästä syystä kuusikulmainen mutteri (8) ennen säätöä ja ruuvaa mutteri (8) takaisin kiinni säädön jälkeen.



Kuva 5

**Huom!** Lukkomutteria (joka asetetaan kytkinvivun alle uraan) kahvan sisusketjun (4) päässä ei tule säätää. Jos nylonlukituskierteet poistetaan ruuvikierteistä, tärinä/värähtely kiertää mutterin vähitellen auki ja saa sen/ketjun irtoamaan jättäen hallintakäsivivun käyttökeltottomaksi.

Oficiální prodejce:

**PAVLÍNEK**  
VÁZACÍ PROSTŘEDKY

Šalounova 746/31  
703 00 Ostrava - Vítkovice  
www.pavlinek.cz

Tel.: +420 595 693 911  
Fax: +420 595 693 958  
E-mail: obchod@pavlinek.cz



Oficiální prodejce:

**PAVLÍNEK**  
VÁZACÍ PROSTŘEDKY

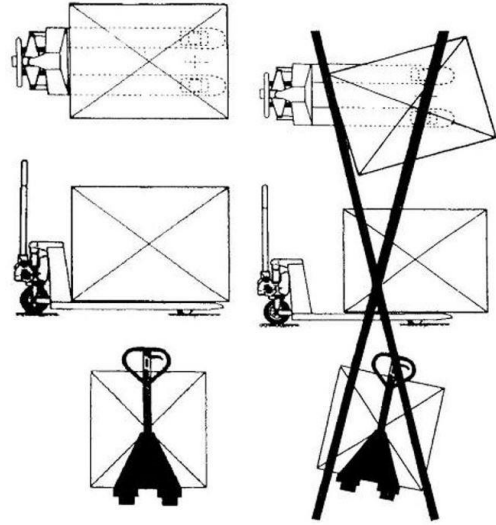
Šalounova 746/31  
703 00 Ostrava - Vítkovice  
www.pavlinek.cz

Tel.: +420 595 693 911  
Fax: +420 595 693 958  
E-mail: obchod@pavlinek.cz



## 5. Käyttöohjeet

- 5.1 Ennen haarukkavaunun käyttöä varmista, että kuljetettavan kuorman paino ei ylitä vaunun enimmäiskapasiteettia.
- 5.2 Kuorman lastaustapa esitetään kuvassa 6.
- 5.3 Katso kuva 5. Kun hallintakäsivipu (10) on nostoasennossa, vaunu on nostotilassa. Jos pumppaat käsikahvaa, haarukka nousee.
- 5.4 Katso kuva 5. Kun hallintakäsivipu (10) on vapaa-asennossa, vaunua voidaan kuljettaa. Jos pumppaat käsikahvaa, vaunu ei nosta eikä laske kuormaa/haarukkaa. Voit käyttää vaunua kuorman siirtämiseen.
- 5.5 Katso kuva 5. Kun hallintakäsivipu (10) on laskuasennossa, vaunun haarukka laskee automaattisesti. Noudata erityistä varovaisuutta, kun lasket kuormaa! Katso myös tähän liittyvä kohta 13.2.



Kuva 6

## 6. Huomioitavia asioita ja turvallisuus

- 6.1 Käyttäjien tulee käyttää soveltuvia työvaatteita, turvakengkiä ja käsineitä haarukkavaunua operoidessa.
- 6.2 Jos haarukkavaunuja kuljetetaan rekassa, tulee vaunut lukita/varmistaa paikalleen, jotta vältetään niiden tahattomalta liikkumiselta.
- 6.3 Kun haarukkavaunua käytetään moottoriajoneuvon lastauksessa, tulee sitä liikuttaa hitaasti turvallisuuden varmistamiseksi.
- 6.4 Haarukkavaunujen renkaat, laakerit ja holkit ovat kuluvia osia. Vaihda ne tarpeen mukaan.
- 6.5 Älä pysäköi vaunua kaltevalle tasolle tai hätäkulkutielle.
- 6.6 Operoi haarukkavaunua varovasti käytettäessä sitä kaltevilla tasolla ja pysy tason yläpäässä. Älä käännä haarukkavaunua kaltevilla tasolla.
- 6.7 Älä pysäytä haarukkavaunua kaltevilla tasolla.
- 6.8 Laske haarukka täysin ala-asentoon, kun vaunua ei käytetä.
- 6.9 Älä pysäköi paikkaan, jossa vaunu voi estää liikennettä tai haitata työntekoa.
- 6.10 Älä käytä haarukkavaunua sateessa.
- 6.11 Käyttäjä ei saa istua tai seistä haarukkavaunussa sitä käyttäessään.
- 6.12 Haarukkavaunu soveltuu käytettäväksi kovalla, tasaisella, puhtaalla/kuivalla ja esteettömällä alustalla. Varo pieniä kiviä tai vastaavia, jotka voivat johtaa pyörän rikkoutumiseen, varsinkin jos kuormattu haarukkavaunu ohjataan tällaisten epäpuhtauksien yli.
- 6.13 Älä lastaa kuormaa liian korkeaksi, jottei tavara tipu vahingossa tai vaunu kaadu.
- 6.14 Älä käytä haarukkavaunua ihmisten kuljettamiseen tai nostamiseen.
- 6.15 Kouluttamattomat ihmiset eivät saa oleskella käyttöalueella äkillisen häiriön aiheuttamien vahinkojen välttämiseksi.
- 6.16 Ennen kuin haarukkavaunu työnnetään hissiin, käyttäjän tulee varmistaa, että hissi kykenee nostamaan vaunun ja kuorman kokonaispainon sekä käyttäjän ja hississä olevan muun henkilökunnan painon. Hissin mentäessä haarukkavaunu tulee päästää hissiin ensin. Haarukkavaunun tullessa hissiin tai poistuessa hissistä muiden ihmisten ei tule olla hississä.
- 6.17 Haarukkavaunu tulee varastoida kuivassa ja ilmastoidussa tilassa.
- 6.18 Kun kuorman paino ylittää 2500 kg (sallittu tietyille malleille), tulee haarukkavaunua käyttää kahden henkilön voimin, jotta työ ei ole liian rasittavaa.
- 6.19 Haarukkavaunu(a) tulee koota, säätää, käyttää ja huoltaa vain ammattitaitoisen henkilön toimesta, jolla on tarvittava tekninen osaaminen ja ymmärrys.

Oficiální prodejce:

**PAVLÍNEK**  
VÁZACÍ PROSTŘEDKY

Šalounova 746/31  
703 00 Ostrava - Vítkovice  
www.pavlinek.cz

Tel.: +420 595 693 911  
Fax: +420 595 693 958  
E-mail: obchod@pavlinek.cz

Lifting Solutions Group  
Axel Johnson International

**Haklift Oy**  
Asessorinkatu 3-7  
20780 Kaarina, Finland  
Tel. +358 2 511 5511  
sales@haklift.com  
www.haklift.com



Oficiální prodejce:

**PAVLÍNEK**  
VÁZACÍ PROSTŘEDKY

Šalounova 746/31  
703 00 Ostrava - Vítkovice  
www.pavlinek.cz

Tel.: +420 595 693 911  
Fax: +420 595 693 958  
E-mail: obchod@pavlinek.cz



## 7. Tarkistus ennen käyttöä

Jos haarukkavaunua ei käytetä pitkään aikaan, sen hydraulikkajärjestelmään voi päästä ilmaa. Tästä aiheutuvat ongelmat voidaan välttää seuraavanlaisesti: Aseta hallintakäsivipu laskuasentoon ja pumpppaa käsikahvaa 4-6 kertaa ennen käsivivun vapauttamista. Toiminto voidaan joutua toistamaan useamman kerran tarpeen mukaan.

## 8. Lastaustapa ja painorajoitus

Tämäntyyppinen käsikäyttöinen haarukkavaunu on rajoitettu kuormalavalla olevan lastin kuljettamiseen. Ohjearvo lastaustavalle on, että kuorman painokeskipiste on vaunun haarukoiden keskellä. Painorajoitusta tulee pienentää huomattavasti, mikäli kuorman painopiste ei ole vaunun haarukoiden keskellä. Painorajoitus/nimelliskapasiteetti näkyy vaunun merkinnöissä (tyyppikilvessä).

## 9. Öljy

Öljypumppu vaatii noin 250 ml (tai 0,25 kg)\* öljyä. ISO-standardin öljyvaatimusten mukaan paras öljy on 32# ympäristön lämpötilan ollessa -5~40 °C. Öljyn tulee olla matalan lämpötilan öljyä, jos ympäristön lämpötila on -35~-5 °C. On tärkeää kiinnittää huomiota asianmukaiseen öljytasoon/-määrään haarukkavaunun oikean ja turvallisen toiminnan varmistamiseksi. \*voi vaihdella mallin mukaan

## 10. Huolto ja ylläpito

Rutiin tarkastus tulee suorittaa joka päivä (ja ennen jokaista käyttöä). Jokainen epänormaali toiminto tulee tarkistaa/selvittää välittömästi. Viollista haarukkavaunua ei saa käyttää henkilöturvallisuuden varmistamiseksi sekä käyttöä pidettäväksi. Jos vikoja tai puutteita havaitaan, poista haarukkavaunu käytöstä välittömästi ja käänny ammattitaitoisen asiantuntijan puoleen. Jos haarukkavaunuun on tarpeen vaihtaa osia, tulee vaihto-/varaosien olla alkuperäisen valmistajan toimittamia. Jokainen nivelöity liitäntä tulee öljytä kolmen kuukauden välein. Varmista, että pyörien ja akselin ympäri ei kierry mitään. Merkitse huollot alla olevaan taulukkoon.

**Perusteellinen tarkastus:** Tuotteelle on suoritettava perusteellinen tarkastus säännöllisesti (vähintään kerran vuodessa; useammin, jos työolot sitä edellyttävät) pätevän henkilön toimesta. Tarkastukset tulee dokumentoida.

### Huoltotaulukko

Käyttöönottopäivä:

| Päiväys | Syy (vika, tarkastus jne.) | Vaihdetut osat | Kuittaus |
|---------|----------------------------|----------------|----------|
|         |                            |                |          |
|         |                            |                |          |
|         |                            |                |          |
|         |                            |                |          |
|         |                            |                |          |
|         |                            |                |          |
|         |                            |                |          |
|         |                            |                |          |
|         |                            |                |          |
|         |                            |                |          |

Oficiální prodejce:

**PAVLÍNEK**  
VÁZACÍ PROSTŘEDKY

Šalounova 746/31  
703 00 Ostrava - Vítkovice  
www.pavlinek.cz

Tel.: +420 595 693 911  
Fax: +420 595 693 958  
E-mail: obchod@pavlinek.cz

Lifting Solutions Group  
Axel Johnson International

**Haklift Oy**  
Asessorinkatu 3-7  
20780 Kaarina, Finland  
Tel. +358 2 511 5511  
sales@haklift.com  
www.haklift.com



Oficiální prodejce:

**PAVLÍNEK**  
VÁZACÍ PROSTŘEDKY

Šalounova 746/31  
703 00 Ostrava - Vítkovice  
www.pavlinek.cz

Tel.: +420 595 693 911  
Fax: +420 595 693 958  
E-mail: obchod@pavlinek.cz



## 11. Mahdolliset viat ja ongelmanratkaisu

| Nro | Vika  | Syy   | Ratkaisu   |
|-----|---|---|--|
| 1   | Haarukkaa ei voida nostaa enimmäiskorkeuteen.   | Hydrauliikkaöljyä ei ole tarpeeksi.   | Lisää soveltuvaa öljyä.  |
| 2   | Haarukka ei laskeudu ala-asentoon.  | -Liikaa hydrauliikkaöljyä.<br>-Liikkuvat osat ovat vääntyneet, tai niiden liike on estynyt.<br>-Männän liike on estynyt.                | -Poista liiallinen öljy.<br>-Vaihda osat.  |
| 3   | Haarukka ei laskeudu nostamisen jälkeen.  | -Hallintakäsivivun kytkimessä on toimintahäiriö.<br>-Osat ovat vaurioituneet.   | -Säädä vivun kytkin, katso kohta 4.2.<br>-Vaihda vialliset osat.                                       |
| 4   | Hydrauliöljyn vuoto.  | -Öljytiiviste on epäkunnossa.<br>-Osien pinnat ovat vaurioituneet tai kuluneet.<br>-Jokin liitântä on löystynyt.                        | -Vaihda tiiviste.<br>-Vaihda vaurioituneet osat.<br>-Kirstä löystyneet osat.                           |
| 5   | Haarukka ei nouse.  | -Öljyn viskositeetti on liian suuri tai öljyä ei ole.<br>-Öljyssä on epäpuhtauksia.<br>-Hallintakäsivivun kytkimessä on toimintahäiriö. | -Vaihda öljy.<br>-Puhdista epäpuhtaudet ja lisää uutta öljyä.<br>-Säädä vivun kytkin, katso kohta 4.2. |
| 6   | Kun kahvaa pumpataan, haarukka laskee välittömästi nostamisen jälkeen; kahva palautuu tai haarukka laskee merkittävästi nostamisen jälkeen. | Öljypumpun venttiili on tukossa epätavallisesta syystä.   | Avaa venttiili ja ota osat ulos. Asenna osat uudelleen puhdistamisen jälkeen.                          |

## 12. Jäteöljyn hävittäminen

Hydrauliikka(jäte)öljy tulee hävittää/käsitellä paikallisia soveltuvia lakeja ja määräyksiä noudattaen. Öljyä ei saa kaataa mihinkään.

Oficiální prodejce:

**PAVLÍNEK**  
VÁZACÍ PROSTŘEDKY

Šalounova 746/31  
703 00 Ostrava - Vítkovice  
www.pavlinek.cz

Tel.: +420 595 693 911  
Fax: +420 595 693 958  
E-mail: obchod@pavlinek.cz

Lifting Solutions Group  
Axel Johnson International

**Haklift Oy**  
Asessorinkatu 3-7  
20780 Kaarina, Finland  
Tel. +358 2 511 5511  
sales@haklift.com  
www.haklift.com



Oficiální prodejce:

**PAVLÍNEK**  
VÁZACÍ PROSTŘEDKY

Šalounova 746/31  
703 00 Ostrava - Vítkovice  
www.pavlinek.cz

Tel.: +420 595 693 911  
Fax: +420 595 693 958  
E-mail: obchod@pavlinek.cz

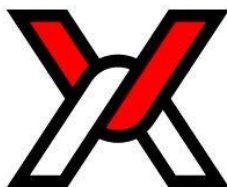


### 13. Varoitukset

- 13.1 Lue käyttöohjeet huolellisesti ennen haarukkavaunun käyttöä ja opettele haarukkavaunun toimintaperiaate, toiminnot ja ominaisuudet.
- 13.2 Jos haluat laskea haarukoita hallintakäsivipua käyttäen, nosta sitä ensin varovasti hieman, ja sen jälkeen laske haarukat hitaasti. Hallintakäsivipua ei saa vetää voimakkaasti, koska haarukoiden nopea pudottaminen voi vahingoittaa sekä haarukkavaunua että lastia.
- 13.3 Älä käytä/pumppaa käsikahvaa liian nopeasti tai kovalla tahdilla.
- 13.4 Älä lastaa tai siirrä kuormaa nopealla vauhdilla.
- 13.5 Älä ylikuormita haarukkavaunua. Se saattaa estää vaunua toimimasta normaalisti.
- 13.6 Kuorman painon keskipisteen tulee olla haarukoiden keskellä. Epäkeskeinen lasti voi tehdä vaunusta epävakaan tai jopa vahingoittaa vaunua.
- 13.7 Älä lastaa irtonaisia tai epävakaita tavaroita.
- 13.8 Älä jätä kuormaa vaunun varaan pitkiksi ajoiksi.
- 13.9 Kun vaunua ei käytetä, varmista, että haarukka on laskettu ala-asentoon.
- 13.10 Haarukkavaunuun ei saa lastata ihmisiä tai antaa ihmisten seistä haarukoilla. Älä aseta mitään ruumiinosaa kuorman alle.
- 13.11 Älä operoi haarukkavaunua soveltumattomassa asennossa / soveltumattomalla lastaustavalla.
- 13.12 Vaunua tulee käyttää, huoltaa ja korjata valmistajan vaatimusten mukaisesti. Siihen ei saa tehdä muutostöitä eikä siihen saa asentaa lisäosia.
- 13.13 Älä käytä vaunua pimeässä tai huonosti valaistussa tilassa.
- 13.14 Älä pysäköi vaunua kääntämällä kahvaa oikealle tai vasemmalle.
- 13.15 Älä käytä vaunua tunkkina.
- 13.16 Haarukkapiikkejä ei saa käyttää kankena lastia nostettaessa.
- 13.17 Vaunua ei saa käyttää tiloissa, joissa on riski tahattomaan liikehdintään.
- 13.18 Vaunu ei saa olla suoraan kosketuksissa tuotteiden tai kuorman kanssa.
- 13.19 Vaunua ei saa käyttää mahdollisesti räjähdysalttiissa tilassa.
- 13.20 Haarukkavaunua käytettäessä käyttäjän tulee kiinnittää huomiota jalkoihin ja ruumiinosiin, jotta välttyään riskiltä niiden joutumisesta puristuksiin liikkuvien osien väliin.
- 13.21 Viallista haarukkavaunua ei saa käyttää. Se on poistettava käytöstä välittömästi.

**HUOM! Räjätyskuvat ja osalistat löytyvät käyttöohjeen loppuosasta. Tämä on yleismallinen käyttöohje, joten ota huomioon, että räjäytyskuvat ja osalistat eivät välttämättä ole täysin tarkkoja. Tarvittaessa ota yhteys valmistajaan.**

Oficiální prodejce:



**PAVLÍNEK**  
VÁZACÍ PROSTŘEDKY

Šalounova 746/31  
703 00 Ostrava - Vítkovice  
www.pavlinek.cz

Tel.: +420 595 693 911  
Fax: +420 595 693 958  
E-mail: obchod@pavlinek.cz



Oficiální prodejce:

**PAVLÍNEK**  
VÁZACÍ PROSTŘEDKY

Šalounova 746/31  
703 00 Ostrava - Vítkovice  
www.pavlinek.cz

Tel.: +420 595 693 911  
Fax: +420 595 693 958  
E-mail: obchod@pavlinek.cz



Detta är en universell manual för många olika HAVA-gaffelvagnmodeller. Specifikationerna varierar beroende på modell. Informationen i den här guiden är baserad på data som var tillgängliga vid tryckningen. Tillverkaren förbehåller sig rätten att göra ändringar i sina egna produkter utan separat meddelande. Använd sunt förnuft och försiktighet med produkten/modellen i fråga, kontakta tillverkaren vid behov.

#### Obs:

1. Användning och underhåll måste uppfylla tillverkarens krav.
2. Att lägga till eller installera anpassningar är inte tillåtet av säkerhetsskäl.
3. När lastvikten överstiger 2500 kg (tillåtet för specifika modeller), vänligen använd trucken med två personer för att säkerställa att arbetet inte är för tungt.
4. Modell HAVA2012SS: Sidoskift fungerar när gaffelhöjden är över 180 mm – vrid och lås handtaget till 90 grader. Observera! Gaffelvagens kapacitet är bara 1500 kg när sidoskiftfunktionen är aktiverad – se produktmärkningen.

### 1. Genomförbarhet

- 1.1 Manuell gaffelvagn är ett låglyfttransportverktyg som är begränsat till att flytta pall lastad last. Denna typ av gaffelvagn har egenskaperna av stabil lyftning, enkel drift, säkerhet och tillförlitlighet etc.
- 1.2 Arbetsplatsen ska vara halkfri, hård, ren och plan mark/plattform utan hål eller hinder.
- 1.3 Det omgivande ljuset måste vara tillräcklig för att möjliggöra säkert arbete.

### 2. Specifikationer (beroende på modell)

|                                    |                             |
|------------------------------------|-----------------------------|
| Kapacitet (kg)                     | 1500/2000/2500/3500/5000    |
| Gaffels längd (mm)                 | 600/800/1150/1500/2000/2500 |
| Höjd gaffel sänkt (mm)             | 55/85                       |
| Max. lyfthöjd (mm)                 | 150/200                     |
| Ratts diameter $\Phi$ (mm)         | 200/180/160/150             |
| Gaffelhjulets diameter $\Phi$ (mm) | 85/80/75/70/60              |

### 3. Gaffelvagnens montering

Montering bör utföras av en kompetent person. Innan montering, kontrollera att fjäderns säkerhetsstift (7) är korrekt på plats. Säkerhetsstiftet ska vila väl i båda hålen på var sida om pumphuset och håll i fjäderenheten.

- 3.1 Se figur 1, dra ut kopplingsstift (1).
- 3.2 Montera handtaget (3) till plats A (se till att det går åt rätt håll). Anslut handtaget (3) och pumpenheten (5) med kopplingsstiftet (1).
- 3.3 Sätt in sprint (2) (levereras separat) i det avsedda hålet på kopplingsstiftet (1) och fixa det med en hammare. Kopplingsstiftet måste ha sprintar i båda ändar. Om båda sprintarna levereras separat, ska båda fästas på vardera änden av kopplingsstiftet. Se till att kopplingsstiftet är monterat i rätt läge (mitthålet är vänt mot handtagets inre kedja, så att den kan träs igenom smidigt).
- 3.4 Se figur 2. Sätt in kedjan (4) genom hålet mitt på kopplingsstiftet (1).
- 3.5 Placera muttern i slutet av kedjan (4) i kopplingsspaken (6). Se figurer 2 och 4.
- 3.6 Se figur 3. Vrid handtaget i horisontellt läge och ta bort säkerhetsstiftet (7).

Oficiální prodejce:

**PAVLÍNEK**  
VÁZACÍ PROSTŘEDKY

Šalounova 746/31  
703 00 Ostrava - Vítkovice  
www.pavlinek.cz

Tel.: +420 595 693 911  
Fax: +420 595 693 958  
E-mail: obchod@pavlinek.cz

Lifting Solutions Group  
Axel Johnson International

**Haklift Oy**  
Asessorinkatu 3-7  
20780 Kaarina, Finland  
Tel. +358 2 511 5511  
sales@haklift.com  
www.haklift.com

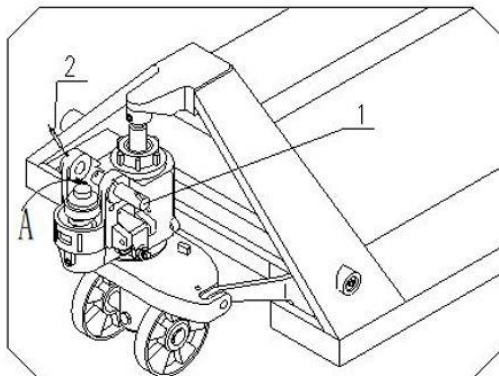


Oficiální prodejce:

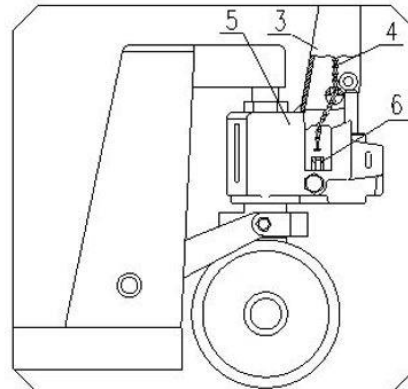
**PAVLÍNEK**  
VÁZACÍ PROSTŘEDKY

Šalounova 746/31  
703 00 Ostrava - Vítkovice  
www.pavlinek.cz

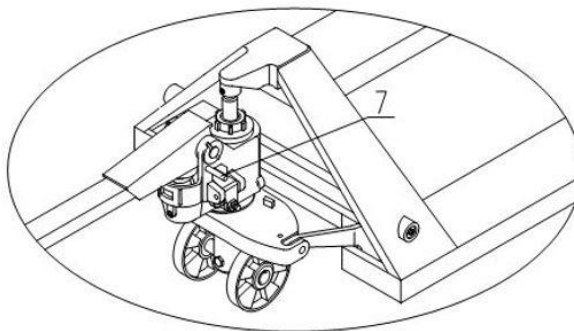
Tel.: +420 595 693 911  
Fax: +420 595 693 958  
E-mail: obchod@pavlinek.cz



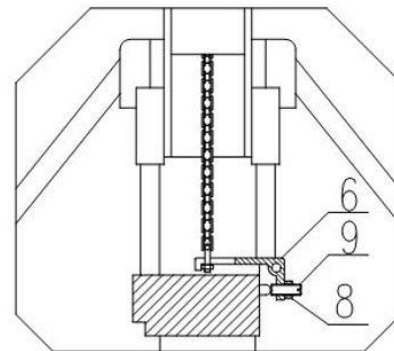
Figur 1



Figur 2



Figur 3



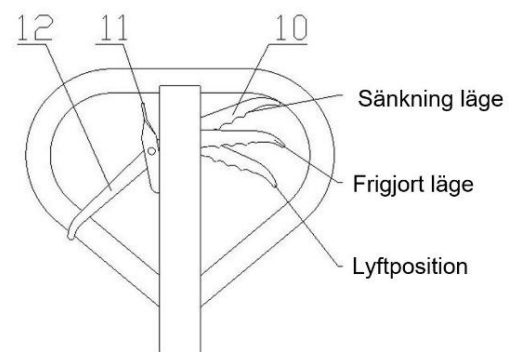
Figur 4

Obs: Modellerna HAVA2500MEK och HAVA2500KT kräver mer detaljerad montering.

#### 4. Gaffelvagnens testning och justering

4.1 När vagnen är monterad, försök att använda handtaget och kontrollhandtaget (10) i olika positioner för lyft, fri och sänk så att alla fungerar normalt. Se figur 5.

4.2 Skruven (9) i figur 4 används för att justera vagnens position. Om vagnens kropp faller direkt efter lyftning, vrid skruven (9) något moturs och prova vagnen tills lyftningen är normal. Om vagnens kropp inte kan sänkas efter lyftning, vrid skruven (9) något medurs och prova vagnen igen tills den fungerar normalt. Den sexkantiga muttern (8) på skruven (9) fungerar som en låsmekanism för justeringen. Avlägsna sedan den sexkantiga muttern (8) innan du justerar och skruva muttern (8) tillbaka efter justering.



Figur 5

**Notera!** Låsmuttern (som ska placeras under spåret på kopplingsspaken) i änden av handtagets inre kedja (4) bör inte justeras. Om nylonlåsängor tas bort från skruvgängorna, kommer rullande vibrationer att göra att muttern skruvas loss och därmed lossas kedjan vilket gör att kontrollhandtaget blir oanvändbar.

Oficiální prodejce:

**PAVLÍNEK**  
VÁZACÍ PROSTŘEDKY

Šalounova 746/31  
703 00 Ostrava - Vítkovice  
www.pavlinek.cz

Tel.: +420 595 693 911  
Fax: +420 595 693 958  
E-mail: obchod@pavlinek.cz

Lifting Solutions Group  
Axel Johnson International

**Haklift Oy**  
Asessorinkatu 3-7  
20780 Kaarina, Finland  
Tel. +358 2 511 5511  
sales@haklift.com  
www.haklift.com



Oficiální prodejce:

**PAVLÍNEK**  
VÁZACÍ PROSTŘEDKY

Šalounova 746/31  
703 00 Ostrava - Vítkovice  
www.pavlinek.cz

Tel.: +420 595 693 911  
Fax: +420 595 693 958  
E-mail: obchod@pavlinek.cz



## 5. Instruktioner

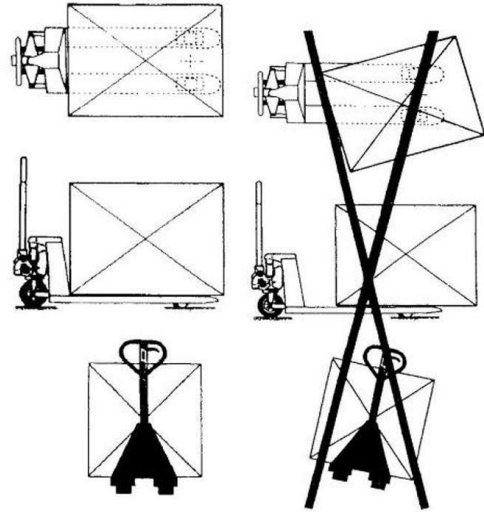
5.1 Innan du använder gaffelvagnen, kontrollera att lastens vikt som transporteras inte överskrider den maximala belastningen.

5.2 Lastladdning visas i figur 6.

5.3 Se figur 5. När kontrollhandtaget (10) är i lyftpositionen är vagnen i lyfttillstånd. Om du svänger handtaget kommer vagnen att höjas.

5.4 Se figur 5. När kontrollhandtaget (10) är i frigjort läge kan vagnen flyttas. Om du svänger handtaget kommer inte vagnen att lyfta eller släppa lasten. Du kan använda vagnen för att flytta lasten.

5.5 Se figur 5. När kontrollhandtaget (10) är i sänkt läge faller gaffelvagnen automatiskt. Var försiktig när du sänker lasten! Se även punkt 13.2. relaterad.



Figur 6

## 6. Saker att överväga och säkerhet

6.1 Användare bör bära arbetskläder, säkerhetsskor och handskar under driften av vagnen.

6.2 När gaffelvagnar transporteras med lastbil ska vagnarna vara låsta för att förhindra vagnar att röra sig.

6.3 Vid användning av en vagn med ett motorfordon måste den flyttas långsamt för att garantera säkerheten.

6.4 Hjulen, lagren och bussningarna på vagnen är nötande delar. Vänligen ändra dem om så är nödvändigt.

6.5 Parkera inte vagnen på en sluttning eller nödväg.

6.6 När gaffelvagn används i sluttningen, ska operatören hantera vagnen noggrant för att säkerställa säkerheten, och operatören ska vara på toppen av lutningen. Vrid inte sluttande.

6.7 Det är förbjudet att stoppa vagnen på sluttningen.

6.8 När vagnar inte används ska gafflarna sänkas till lägsta position.

6.9 Parkera inte på ett ställe där vagnen kan förhindra trafik eller arbete.

6.10 Använd vagnen inte i regn.

6.11 Användaren ska inte sitta eller stå på gaffelvagnen när den används.

6.12 Gaffelvagn är lämplig för användning på hård, plan, ren/torr och fri mark/plattform. Akta dig för små stenar eller liknande som kan leda till att hjulet går sönder, speciellt om en lastad gaffelvagn styrs över sådana föroreningar.

6.13 Ladda inte för högt så att varorna inte faller och vagnen inte välter.

6.14 Använd inte en gaffelvagn för att bära eller lyfta personer.

6.15 I syfte att undvika skador bör obehöriga personer inte stå i området då de kan orsaka plötsliga störningar.

6.16 Innan gaffelvagnen skjuts in i hissen måste användaren se till att hissen kan lyfta vagnens och lastens vikt och användarens vikt och övrig personal i hissen. När man går in i hissen ska man låta lasten komma in först men inte operatör. När en gaffelvagn går in eller lämnar en hiss, ska andra inte stå i hissen.

6.17 Gaffelvagnen ska lagras på ett torrt och luftkonditionerat utrymme.

6.18 När lastvikten överstiger 2500 kg (tillåtet för specifika modeller), vänligen använd vagnen med två personer för att säkerställa att arbetet inte är för tungt.

6.19 Gaffelvagnen ska monteras, justeras, användas och servas av kompetent personal med nödvändig teknisk kompetens och förståelse.

Oficiální prodejce:

**PAVLÍNEK**  
VÁZACÍ PROSTŘEDKY

Lifting Solutions Group  
Axel Johnson International

Šalounova 746/31  
703 00 Ostrava - Vítkovice  
www.pavlinek.cz

Tel.: +420 595 693 911  
Fax: +420 595 693 958  
E-mail: obchod@pavlinek.cz

Haklift Oy  
Asessorinkatu 3-7  
20780 Kaarina, Finland  
Tel. +358 2 511 5511  
sales@haklift.com  
www.haklift.com





Oficiální prodejce:  
**PAVLÍNEK**  
VÁZACÍ PROSTŘEDKY

Šalounova 746/31  
703 00 Ostrava - Vítkovice  
www.pavlinek.cz

Tel.: +420 595 693 911  
Fax: +420 595 693 958  
E-mail: obchod@pavlinek.cz



## 7. Kontrollera före användning

Om gaffelvagnen inte har använts under en längre tid kan det hydrauliska systemet få luft i sig. Problem kan undvikas genom att göra följande: Placera kontrollhandtaget i sänkning läge. Pumpa handtaget 4-6 gånger innan du släpper kontrollhandtaget. Detta kan behöva upprepas flera gånger efter behov.

## 8. Lastningsmetod och viktbegränsning

Denna typ av gaffelvagn är begränsad till att flytta palllast. Riktlinjen för laddningsmetoden är att tyngdpunkten för lastvikten ligger i mitten av vagnens gafflar. Viktbegränsningen är betydligt lägre om lastens tyngdpunkt inte befinner sig i mitten av vagnen. Viktbegränsningen/kapacitet visas på vagnens etikett.

## 9. Olja

Oljepumpen kräver cirka 250 ml (eller 0,25 kg)\* olja. Enligt ISO-standardoljekraven är den bästa oljan 32# med en omgivningstemperatur på -5~40 °C. Valet av olja är lågtemperaturolja när omgivningstemperaturen är mellan -35~-5 °C. Det är viktigt att vara uppmärksam på rätt oljenivå för att säkerställa korrekt och säker drift av gaffelvagnen. \*kan variera beroende på modell

## 10. Underhåll och skötsel

Utför grundläggande kontroll varje dag (och före varje användning) och varje onormalt fenomen åtgärdas omedelbart. Använd inte en defekt vagn för att säkerställa personalsäkerheten och förlänga livslängden av vagnen. Om någon skada eller defekt upptäcks, ta omedelbart gaffelvagnen ur drift och kontakta en kompetent specialist. Möjliga reservdelar måste levereras av den ursprungliga tillverkaren. Varje svängbar anslutning bör oljas var tredje månad. Se till att ingenting finns runt hjulen och axeln. Observera följande tabell för service.

**Grundlig inspektion:** Regelbundet (minst en gång om året – oftare om det krävs av arbetsförhållandena) ska en noggrann inspektion av produkten utföras och dokumenteras av en kvalificerad person.

### Underhållstabell

Startdatum av användning:

| Datum | Orsak (fel, inspektion etc.) | Ersatta delar | Kvittens |
|-------|------------------------------|---------------|----------|
|       |                              |               |          |
|       |                              |               |          |
|       |                              |               |          |
|       |                              |               |          |
|       |                              |               |          |
|       |                              |               |          |
|       |                              |               |          |
|       |                              |               |          |
|       |                              |               |          |

## Oficiální prodejce:



Lifting Solutions Group  
Axel Johnson International

Šalounova 746/31  
703 00 Ostrava - Vítkovice  
www.pavlinek.cz

Tel.: +420 595 693 911  
Fax: +420 595 693 958  
E-mail: obchod@pavlinek.cz

Haklift Oy  
Asessorinkatu 3-7  
20780 Kaarina, Finland  
Tel. +358 2 511 5511  
sales@haklift.com  
www.haklift.com



Oficiální prodejce:

**PAVLÍNEK**  
VÁZACÍ PROSTŘEDKY

Šalounova 746/31  
703 00 Ostrava - Vítkovice  
www.pavlinek.cz

Tel.: +420 595 693 911  
Fax: +420 595 693 958  
E-mail: obchod@pavlinek.cz



## 11. Eventuella fel och problemlösningar

| Nr. | Misslyckande  | Orsak  | Lösning   |
|-----|---|--|---|
| 1   | Gafflarna kan inte lyftas till maximal höjd.  | -Det finns inte tillräckligt med hydraulolja.  | Tillsätt lämplig olja.  |
| 2   | Gaffeln faller inte till den nedre positionen.  | -För mycket hydraulolja.<br>-Rörliga delar är vridna eller rörelse blockerad.<br>-Kolvrörelse blockerad.                               | -Ta bort överskott av olja.<br>-Byt ut delarna.   |
| 3   | Gaffeln landar inte efter lyftning.   | -Kontrollhandtagsystemet har ett funktionsfel.<br>-Delarna är skadade.   | -Justera kontrollhandtagsystemet, se avsnitt 4.2.<br>-Byt ut defekta delar.                                     |
| 4   | Hydrauloljeläckage.   | -Oljetätning är inte skaplig.<br>-Delarnas ytor är skadade eller slitna.<br>-Kopplingen är lös.  | -Byt ut tätningen.<br>-Byt ut skadade delar.<br>-Dra åt lösa delar.   |
| 5   | Gaffeln lyfter inte upp.  | -Oljeviskositeten är för hög eller det finns ingen olja.<br>-Oljan har föroreningar.<br>-Kontrollhandtagsystemet har ett funktionsfel. | -Byt oljan.<br>-Rengör oljan och tillsätt den efter behov.<br>-Justera kontrollhandtagsystemet, se avsnitt 4.2. |
| 6   | När handtaget är pumpat faller gafflarna omedelbart efter att de lyfts; Handtaget återgår eller gafflarna sjunker markant efter att de lyfts. | Oljepumpens ventil blockeras av onormal orsak.   | Öppna ventilen och ta ut delarna. Installera sedan delarna tillbaka efter att de har rengjorts.                 |

## 12. Avfallshantering av spillolja

Hydraulolja kasseras i enlighet med gällande lokala lagar och föreskrifter. Olja bör inte hällas någonstans.

Oficiální prodejce:

**PAVLÍNEK**  
VÁZACÍ PROSTŘEDKY

Šalounova 746/31  
703 00 Ostrava - Vítkovice  
www.pavlinek.cz

Tel.: +420 595 693 911  
Fax: +420 595 693 958  
E-mail: obchod@pavlinek.cz

**Haklift Oy**  
Asessorinkatu 3-7  
20780 Kaarina, Finland  
Tel. +358 2 511 5511  
sales@haklift.com  
www.haklift.com



Oficiální prodejce:



Šalounova 746/31  
703 00 Ostrava - Vítkovice  
www.pavlinek.cz

Tel.: +420 595 693 911  
Fax: +420 595 693 958  
E-mail: obchod@pavlinek.cz



### 13. Varningar

- 13.1 Läs manualen noga innan du använder gaffelvagnen och lär dig om dess funktioner.
- 13.2 Om du vill sänka vagnen med hjälp av kontrollhandtaget, höj kontrollhandtag litet först och sänk sedan gafflarna långsamt. Det är förbjudet att dra handtaget med stor kraft, eftersom snabb lossning kan skada både gaffelvagnen och lasten.
- 13.3 Använd inte handtaget för fort.
- 13.4 Ladda eller flytta inte lasten med hög hastighet.
- 13.5 Överbelasta inte gaffelvagnen. Det kan förhindra att vagnen fungerar normalt.
- 13.6 Lastens tyngdpunkt ska vara i centrum av gafflarna. En obalanserad last kan göra vagnen instabil eller även skada enheten.
- 13.7 Lasta inte lösa eller instabila produkter.
- 13.8 Lämna inte lasten på vagnen under långa perioder.
- 13.9 När gaffelvagnen inte används, kontrollera att truckgafflarna är i lägsta läge.
- 13.10 Du kan inte lasta människor eller låta folk stå på gafflarna. Placera inte någon del av kroppen under lasten.
- 13.11 Använd inte den ovannämnda positionen eller typ av lastning.
- 13.12 Vagnen ska användas, underhållas och skötas enligt tillverkarens krav. I syfte att garantera säkerheten får delar inte ändras eller läggas till.
- 13.13 Använd inte vagnen i mörkt utrymme.
- 13.14 Parkera inte vagnen genom att vrida handtaget till höger eller vänster.
- 13.15 Använd inte vagnen som en domkraft.
- 13.16 Gaffelarmarnas ände får inte användas som en spak för att lyfta en last.
- 13.17 Det är förbjudet att använda gaffelvagnen på platser där det finns en risk för oavsiktlig rörelse.
- 13.18 Vagnen får inte vara i direkt kontakt med varan eller lasten.
- 13.19 Använd inte gaffelvagnen i explosionsfarliga omgivningar.
- 13.20 Vid användning av en gaffelvagn ska användaren vara uppmärksam på fötter och kroppsdelar som kan fastna mellan rörliga delar.
- 13.21 Använd inte en defekt gaffelvagn. Det måste omedelbart tas bort från tjänsten.

**OBS! Exploderade vyer och stycklistor finns i slutet av manualen. Denna manual är en universell modell, så observera att de exploderade vyerna och stycklistorna kanske inte är helt exakta. Kontakta tillverkaren vid behov.**

**Oficiální prodejce:**



**PAVLÍNEK**  
VÁZACÍ PROSTŘEDKY

Šalounova 746/31  
703 00 Ostrava - Vítkovice  
www.pavlinek.cz

Tel.: +420 595 693 911  
Fax: +420 595 693 958  
E-mail: obchod@pavlinek.cz



Oficiální prodejce:

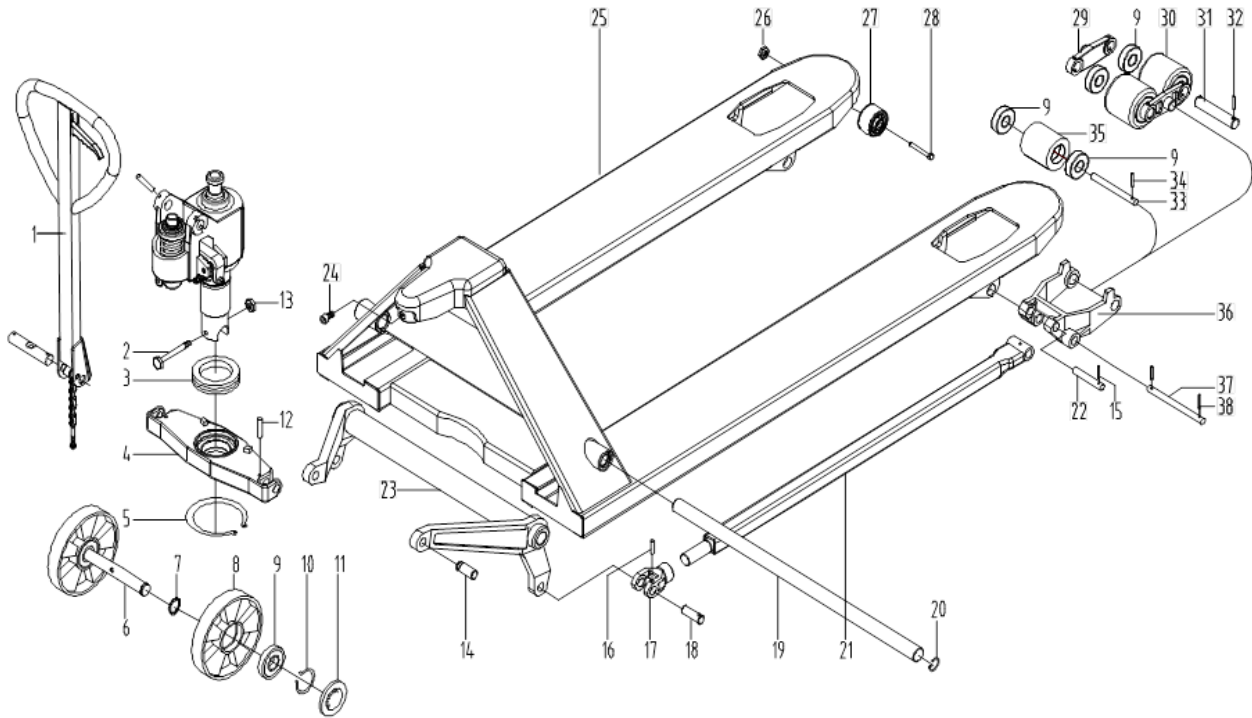
**PAVLÍNEK**  
VÁZACÍ PROSTŘEDKY

Šalounova 746/31  
703 00 Ostrava - Vítkovice  
www.pavlinek.cz

Tel.: +420 595 693 911  
Fax: +420 595 693 958  
E-mail: obchod@pavlinek.cz



Exploded views & Parts lists (basic models) | Räjätyskuvat & Osalistat (perusmallit) | Exploderade vyer & Stycklistor (grundmodeller)



| No./Nro./Nr. | Name/Nimi/Namn                    | Qty/Lkm./St. |
|--------------|-----------------------------------|--------------|
| 1            | Handle (10 section chain)         | 1            |
| 2            | Hexagon screw M6X55               | 1            |
| 3            | Thrust ball bearing 51110         | 1            |
| 4            | Bearing seat                      | 1            |
| 5            | Circlip for shaft 50              | 1            |
| 6            | Front axle 20X159                 | 1            |
| 7            | Circlip for shaft, thicken 19X1.5 | 2            |
| 8            | Steering wheel 180                | 2            |
| 9            | Bearing 6204                      | 8/12         |
| 10           | Circlip for shaft, thicken 19X1.5 | 2            |
| 11           | Dustproof cover (black/white)     | 2            |
| 12           | Spring pin 5X28                   | 2            |
| 13           | Hexagon locknut M6                | 1            |
| 14           | Pin 16X40                         | 2            |
| 15           | Spring pin 5X28                   | 2            |

Oficiální prodejce:

**PAVLÍNEK**  
VÁZACÍ PROSTŘEDKY

Šalounova 746/31  
703 00 Ostrava - Vítkovice  
www.pavlinek.cz

Tel.: +420 595 693 911  
Fax: +420 595 693 958  
E-mail: obchod@pavlinek.cz

Lifting Solutions Group  
Axel Johnson International

**Haklift Oy**  
Asessorinkatu 3-7  
20780 Kaarina, Finland  
Tel. +358 2 511 5511  
sales@haklift.com  
www.haklift.com



Oficiální prodejce:



Šalounova 746/31  
703 00 Ostrava - Vítkovice  
www.pavlinek.cz

Tel.: +420 595 693 911  
Fax: +420 595 693 958  
E-mail: obchod@pavlinek.cz



| No./Nro./Nr. | Name/Nimi/Namn                   | Qty/Lkm./St. |
|--------------|----------------------------------|--------------|
| 16           | Spring pin 5X28                  | 2            |
| 17           | Joint                            | 2            |
| 18           | Pin 16X44                        | 2            |
| 19           | Long shaft 520                   | 1            |
|              | Long shaft 550                   |              |
|              | Long shaft 685                   |              |
| 20           | Circlip for hole 25              | 2            |
| 21           | Connecting rod assembly 1100     | 2            |
|              | Connecting rod assembly 1150     |              |
|              | Connecting rod assembly 1220     |              |
| 22           | Single-hole pin 16X85            | 2            |
| 23           | Rocker arm 520                   | 1            |
|              | Rocker arm 550                   |              |
|              | Rocker arm 685                   |              |
| 24           | Internal hexagon screw M6X12     | 1            |
| 25           | Truck frame 550*1150 standard    | 1            |
|              | Truck frame 550*1150 low profile |              |
| 26           | Lock nut M6                      | 2            |
| 27           | Guiding wheel (black/white)      | 2            |
| 28           | Hexagon screw M6X50              | 2            |
| 29           | Supporting plate                 | 4            |
| 30           | Fork wheel                       | 4            |
| 31           | Wheel axle 20X95                 | 4            |
| 32           | Spring pin 5X32                  | 8            |
| 33           | Wheel axle 20X122                | 2            |
| 34           | Spring pin 5X32                  | 2            |
| 35           | Fork wheel                       | 2            |
| 36           | Wheel stand (standard)           | 2            |
|              | Wheel stand (low profile)        |              |
| 37           | Double-hole pin 16X152           | 2            |
| 38           | Spring pin 5X32                  | 2            |

Oficiální prodejce:



**PAVLÍNEK**  
VÁZACÍ PROSTŘEDKY

Šalounova 746/31  
703 00 Ostrava - Vítkovice  
www.pavlinek.cz

Tel.: +420 595 693 911  
Fax: +420 595 693 958  
E-mail: obchod@pavlinek.cz

Lifting Solutions Group  
Axel Johnson International

**Haklift Oy**  
Asessorinkatu 3-7  
20780 Kaarina, Finland  
Tel. +358 2 511 5511  
sales@haklift.com  
www.haklift.com



Oficiální prodejce:

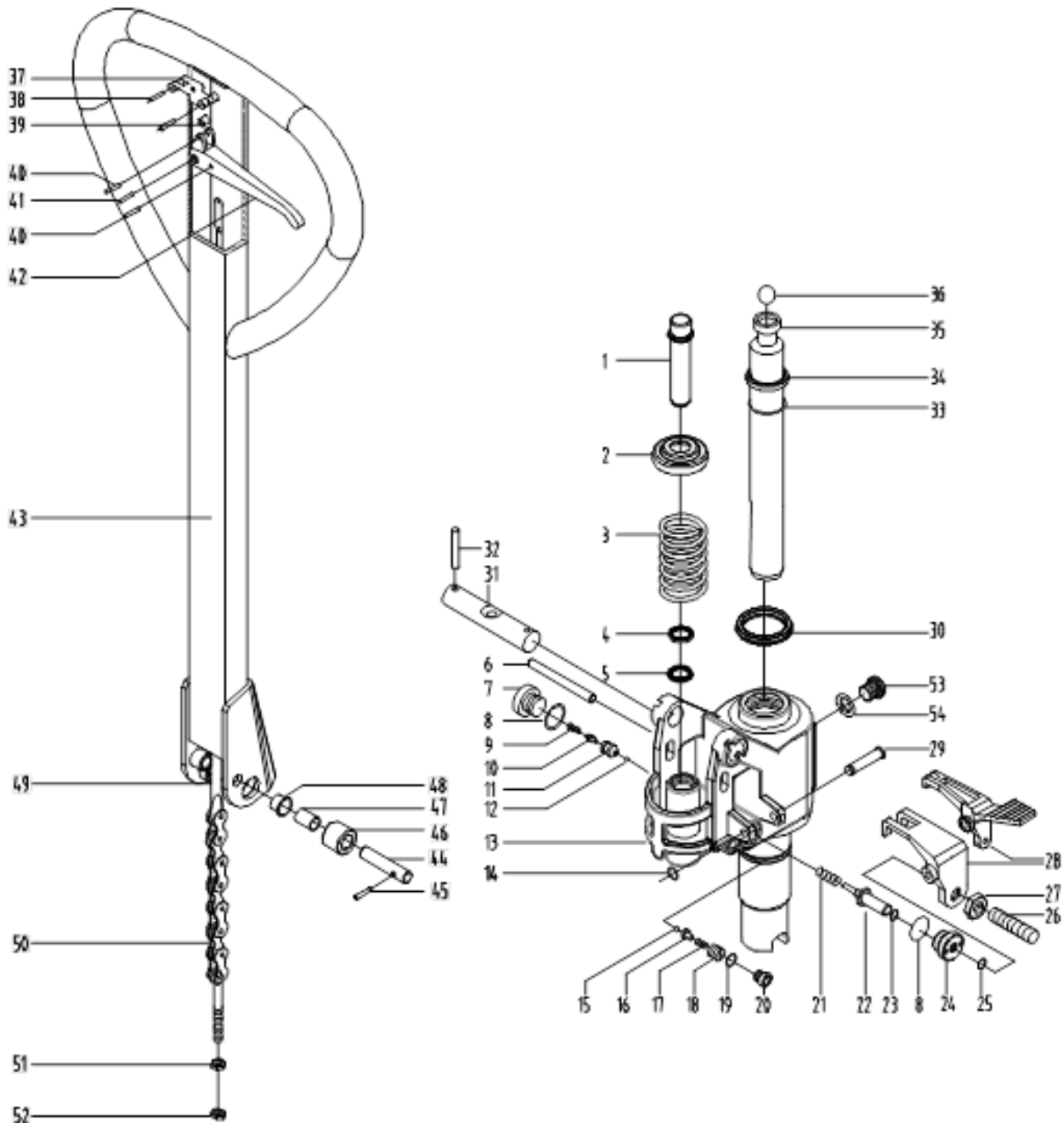
**PAVLÍNEK**  
VÁZACÍ PROSTŘEDKY

Šalounova 746/31  
703 00 Ostrava - Vítkovice  
www.pavlinek.cz

Tel.: +420 595 693 911  
Fax: +420 595 693 958  
E-mail: obchod@pavlinek.cz



Pump unit | Pumppuyksikkö | Pump enhet



Oficiální prodejce:

**PAVLÍNEK**  
VÁZACÍ PROSTŘEDKY

Šalounova 746/31  
703 00 Ostrava - Vítkovice  
www.pavlinek.cz

Tel.: +420 595 693 911  
Fax: +420 595 693 958  
E-mail: obchod@pavlinek.cz

**Haklift Oy**  
Asessorinkatu 3-7  
20780 Kaarina, Finland  
Tel. +358 2 511 5511  
sales@haklift.com  
www.haklift.com



Oficiální prodejce:

**PAVLÍNEK**  
VÁZACÍ PROSTŘEDKY

Šalounova 746/31  
703 00 Ostrava - Vítkovice  
www.pavlinek.cz

Tel.: +420 595 693 911  
Fax: +420 595 693 958  
E-mail: obchod@pavlinek.cz



| No./Nro./Nr. | Name/Nimi/Namn      | Qty/Lkm./St. |
|--------------|---------------------|--------------|
| 1            | Pump core           | 1            |
| 2            | Big spring cap      | 1            |
| 3            | Big spring          | 1            |
| 4            | Dustproof ring 18   | 1            |
| 5            | Y-seal ring 18      | 1            |
| 6            | Lock rod            | 1            |
| 7            | Seal plug M20X1.5   | 1            |
| 8            | Combined washer 20  | 2            |
| 9            | Spring              | 1            |
| 10           | Valve core          | 1            |
| 11           | Valve body          | 1            |
| 12           | Steel ball 6.35     | 1            |
| 13           | Base                | 1            |
| 14           | Circlip for shaft 8 | 1            |
| 15           | Steel ball 5        | 1            |
| 16           | Ball seat           | 1            |
| 17           | Spring 2X8X16       | 1            |
| 18           | Screw M10X1         | 1            |
| 19           | Combined washer 10  | 1            |
| 20           | Plug M10X1          | 2            |
| 21           | Spring 1.2X9X22     | 1            |
| 22           | Firing pin          | 1            |
| 23           | O-ring 6.9X1.8      | 1            |
| 24           | Firing pin seat     | 1            |
| 25           | O-ring 8X2.65       | 1            |
| 26           | Lock screw M6X25    | 1            |
| 27           | Hexagon nut M6      | 1            |

Oficiální prodejce:

**PAVLÍNEK**  
VÁZACÍ PROSTŘEDKY

Šalounova 746/31  
703 00 Ostrava - Vítkovice  
www.pavlinek.cz

Tel.: +420 595 693 911  
Fax: +420 595 693 958  
E-mail: obchod@pavlinek.cz



Oficiální prodejce:

**PAVLÍNEK**  
VÁZACÍ PROSTŘEDKY

Šalounova 746/31  
703 00 Ostrava - Vítkovice  
www.pavlinek.cz

Tel.: +420 595 693 911  
Fax: +420 595 693 958  
E-mail: obchod@pavlinek.cz



| No./Nro./Nr. | Name/Nimi/Namn               | Qty/Lkm./St. | Remark         |
|--------------|------------------------------|--------------|----------------|
| 28           | Lever plate                  | 1            | standard pedal |
|              | Lever plate 3                |              |                |
| 29           | Pin 8X58                     | 1            |                |
| 30           | Seal ring 31.5               | 1            |                |
| 31           | Pinch roller shaft           | 1            |                |
| 32           | Spring pin 5X40              | 2            |                |
| 33           | O-ring 31.5X3.55             | 1            |                |
| 34           | Dustproof ring 31.5          | 1            |                |
| 35           | Plunger 31.5X263/273         | 1            |                |
| 36           | Steel ball 19.05             | 1            |                |
| 37           | Locating plate               | 1            |                |
| 38           | Spring pin 4X30              | 2            |                |
| 39           | Roller                       | 1            |                |
| 40           | Spring pin 4X20              | 2            |                |
| 41           | Spring pin 6X30              | 1            |                |
| 42           | Handle knob                  | 1            |                |
| 43           | Handle bodycy                | 1            |                |
| 44           | Cylindrical pin              | 1            |                |
| 45           | Spring pin 3X20              | 1            |                |
| 46           | Pinch roller                 | 1            |                |
| 47           | Bushing 1220                 | 1            |                |
| 48           | Bushing SF-1F2015            | 2            |                |
| 49           | Pull rod                     | 1            |                |
| 50           | Chain C-6-9-04A (10 section) | 1            |                |
| 51           | Nut M5                       | 1            |                |
| 52           | Lock nut M5                  | 1            |                |
| 53           | Plug M10X1                   | 1            |                |
| 54           | Combined washer 10           | 1            |                |

Oficiální prodejce:

**PAVLÍNEK**  
VÁZACÍ PROSTŘEDKY

Šalounova 746/31  
703 00 Ostrava - Vítkovice  
www.pavlinek.cz

Tel.: +420 595 693 911  
Fax: +420 595 693 958  
E-mail: obchod@pavlinek.cz

**Haklift Oy**  
Asessorinkatu 3-7  
20780 Kaarina, Finland  
Tel. +358 2 511 5511  
sales@haklift.com  
www.haklift.com





Oficiální prodejce:

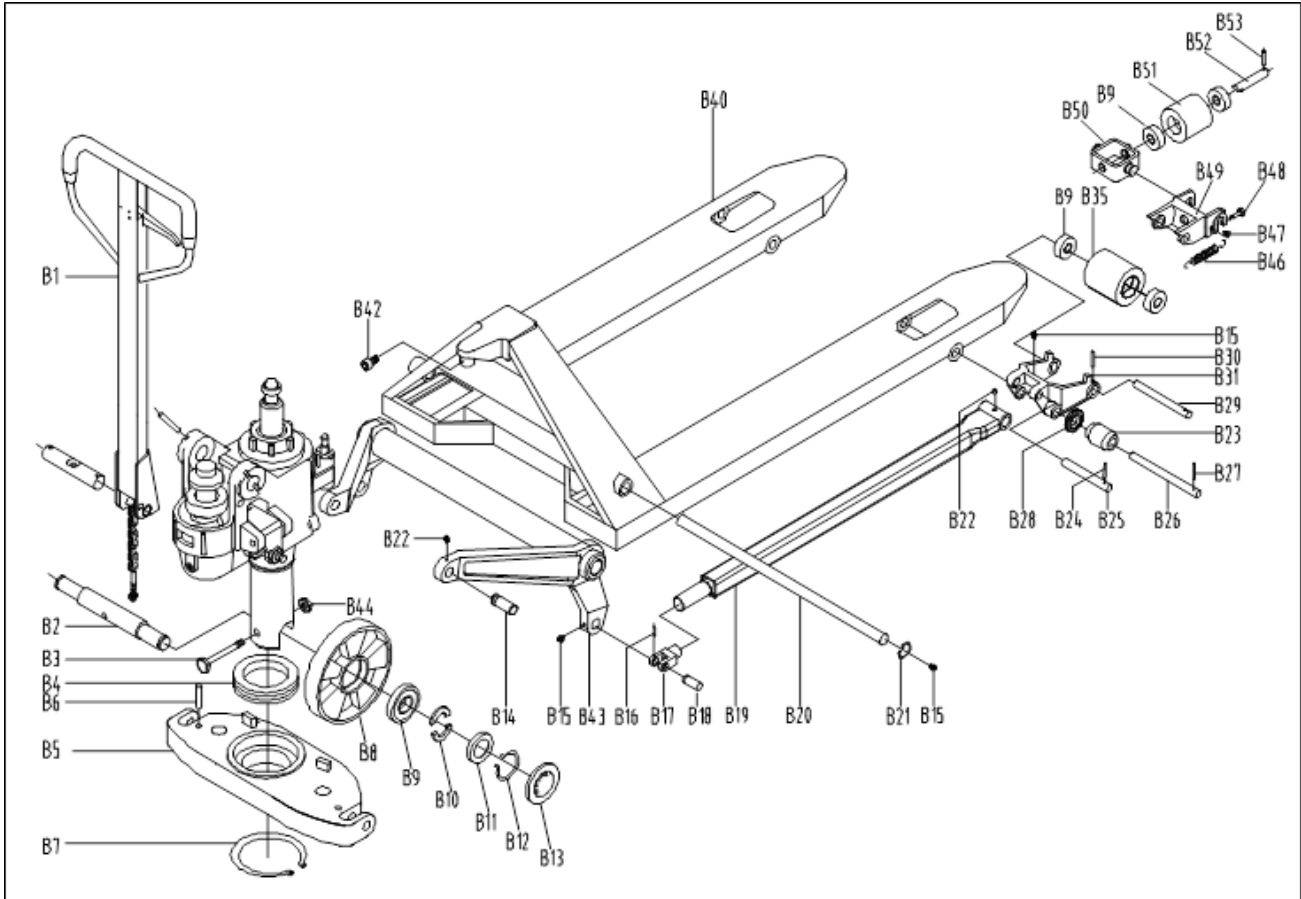
**PAVLÍNEK**  
VÁZACÍ PROSTŘEDKY

Šalounova 746/31  
703 00 Ostrava - Vítkovice  
www.pavlinek.cz

Tel.: +420 595 693 911  
Fax: +420 595 693 958  
E-mail: obchod@pavlinek.cz



**Exploded views & Parts lists (side-shift model HAVA2012SS) | Räjätyskuvat & Osalistat (sivusiirtomalli HAVA2012SS) | Exploderade vyer & Stycklistor (sidoskiftmodell HAVA2012SS)**



| No./Nro./Nr. | Part name / Osan nimi / Artikel namn (EN) | Qty/Lkm./St. |
|--------------|---|--------------|
| B1           | Hand shank assembly                       | 1            |
| B2           | Front axle                                | 1            |
| B3           | Hexagon bolt M8X55                        | 1            |
| B4           | Thrust ball bearing8111                   | 1            |
| B5           | Supporting seat                           | 1            |
| B6           | Spring pin 5X32                           | 2            |
| B7           | Axle bumper 55                            | 1            |
| B8           | Bull wheel                                | 2            |
| B8           | Bull wheel                                |              |
| B9           | Bearing 60204                             | 12           |
| B10          | Semi ring                                 | 4            |
| B11          | Calathiform pad                           | 2            |
| B12          | Axle bumper 20                            | 2            |
| B13          | Dust cover / black                        | 2            |
| B13          | Dust cover / white                        | 2            |

Oficiální prodejce:

**PAVLÍNEK**  
VÁZACÍ PROSTŘEDKY

Šalounova 746/31  
703 00 Ostrava - Vítkovice  
www.pavlinek.cz

Tel.: +420 595 693 911  
Fax: +420 595 693 958  
E-mail: obchod@pavlinek.cz

Lifting Solutions Group  
Axel Johnson International

**Haklift Oy**  
Asessorinkatu 3-7  
20780 Kaarina, Finland  
Tel. +358 2 511 5511  
sales@haklift.com  
www.haklift.com



Oficiální prodejce:

**PAVLÍNEK**  
VÁZACÍ PROSTŘEDKY

Šalounova 746/31  
703 00 Ostrava - Vítkovice  
www.pavlinek.cz

Tel.: +420 595 693 911  
Fax: +420 595 693 958  
E-mail: obchod@pavlinek.cz



|     |                           |   |
|-----|---------------------------|---|
| B14 | Pin roll 16X40            | 2 |
| B15 | Glib M6                   | 9 |
| B16 | Spring pin 5X28           | 2 |
| B17 | Coupling head             | 2 |
| B18 | Pin roll 16X44            | 2 |
| B19 | Connecting rod unit 1100  | 2 |
| B19 | Connecting rod unit 1150  | 2 |
| B19 | Connecting rod unit 1220  | 2 |
| B20 | Long axis 520             | 1 |
| B20 | Long axis 550             | 1 |
| B20 | Long axis 685             | 1 |
| B21 | Checkring25               | 2 |
| B22 | Oil cup 6                 | 4 |
| B23 | Cover                     | 2 |
| B24 | Spring pin5X28            | 2 |
| B25 | Pin roll16X85             | 2 |
| B26 | Pin roll20X152            | 2 |
| B27 | Spring pin5X35            | 2 |
| B28 | back-up aid wheel         | 4 |
| B29 | Axle20X122                | 2 |
| B30 | Spring pin5X32            | 2 |
| B31 | Wheel stand (middle)      | 2 |
| B31 | Wheel stand (low)         | 2 |
| B35 | Fork wheel                | 2 |
| B35 | Fork wheel                | 2 |
| B40 | Frame assembly            | 1 |
| B42 | Inner hexagon screwM6X12  | 1 |
| B43 | Rocker arm unit 520       | 1 |
| B43 | Rocker arm unit 550       | 1 |
| B43 | Rocker arm unit 685       | 1 |
| B44 | LocknutM8                 | 1 |
| B46 | Tension spring1.5X11X69   | 2 |
| B47 | Locknut M5                | 4 |
| B48 | Hexagon-headed bolt M5*45 | 4 |
| B49 | Overtun support           | 2 |
| B50 | Cross frame               | 2 |
| B51 | Fork wheel 65*60          | 2 |
| B52 | Pin roll 20*95            | 2 |
| B53 | Spring pin 5*40           | 2 |

Oficiální prodejce:

**PAVLÍNEK**  
VÁZACÍ PROSTŘEDKY

Šalounova 746/31  
703 00 Ostrava - Vítkovice  
www.pavlinek.cz

Tel.: +420 595 693 911  
Fax: +420 595 693 958  
E-mail: obchod@pavlinek.cz

Lifting Solutions Group  
Axel Johnson International

Haklift Oy  
Asessorinkatu 3-7  
20780 Kaarina, Finland  
Tel. +358 2 511 5511  
sales@haklift.com  
www.haklift.com

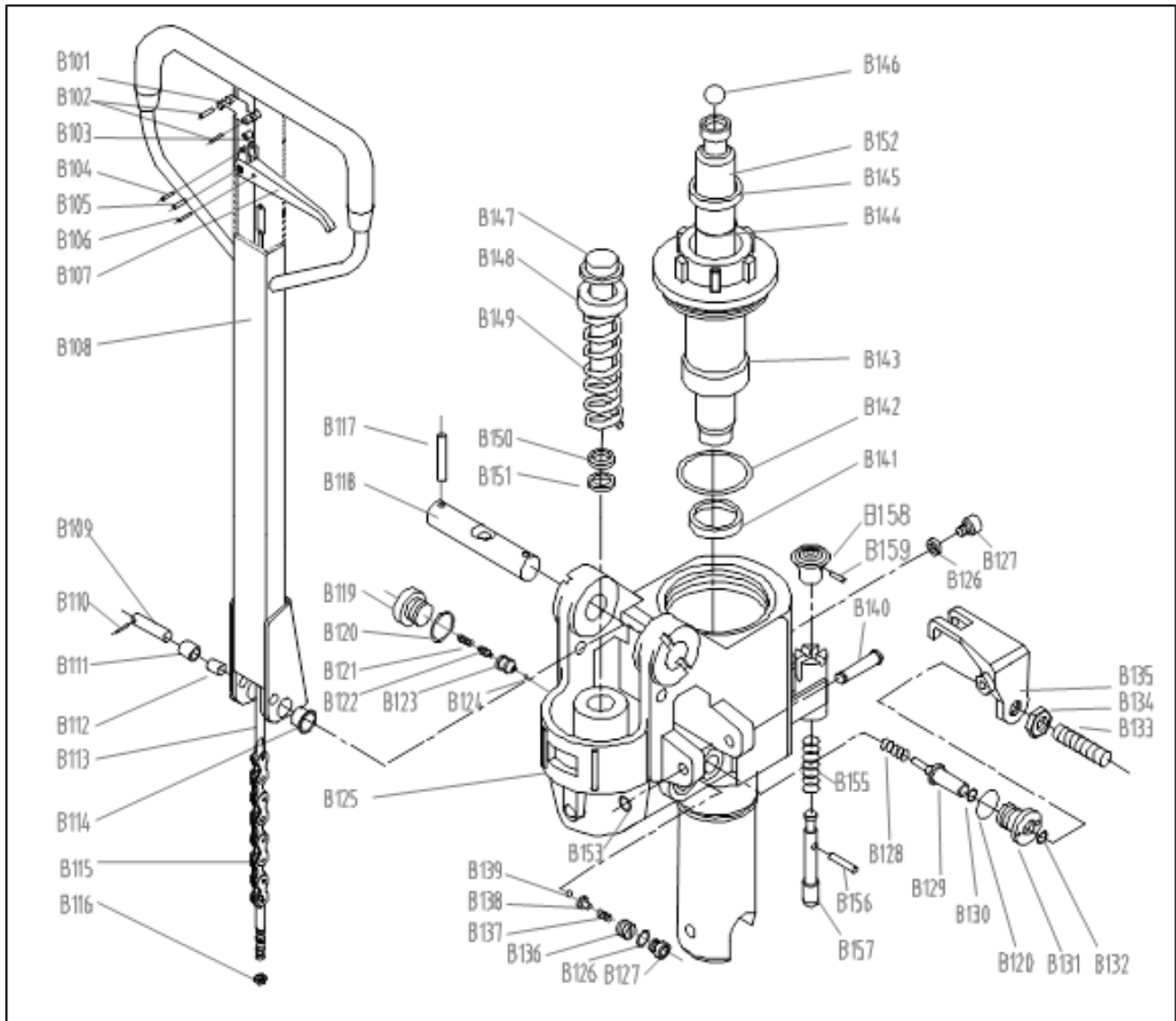


Oficiální prodejce:

**PAVLÍNEK**  
VÁZACÍ PROSTŘEDKY

Šalounova 746/31  
703 00 Ostrava - Vítkovice  
www.pavlinek.cz

Tel.: +420 595 693 911  
Fax: +420 595 693 958  
E-mail: obchod@pavlinek.cz



| No./Nro./Nr. | Part name / Osan nimi / Artikel namn (EN) | Qty/Lkm./St. |
|--------------|---|--------------|
| B101         | locating plate                            | 1            |
| B102         | spring pin 4X30                           | 2            |
| B103         | roller                                    | 1            |
| B104         | spring pin 4X20                           | 1            |
| B105         | spring pin 6X30                           | 1            |
| B106         | spring pin 4X20                           | 1            |
| B107         | handle knob                               | 1            |
| B108         | handle unit                               | 1            |
| B109         | straight pin                              | 1            |
| B110         | spring pin 3X20                           | 1            |
| B111         | pinch roller                              | 1            |

Oficiální prodejce:

**PAVLÍNEK**  
VÁZACÍ PROSTŘEDKY

Šalounova 746/31  
703 00 Ostrava - Vítkovice  
www.pavlinek.cz

Tel.: +420 595 693 911  
Fax: +420 595 693 958  
E-mail: obchod@pavlinek.cz

**Haklift Oy**  
Asessorinkatu 3-7  
20780 Kaarina, Finland  
Tel. +358 2 511 5511  
sales@haklift.com  
www.haklift.com

Lifting Solutions Group  
Axel Johnson International



Oficiální prodejce:

**PAVLÍNEK**  
VÁZACÍ PROSTŘEDKY

Šalounova 746/31  
703 00 Ostrava - Vítkovice  
www.pavlinek.cz

Tel.: +420 595 693 911  
Fax: +420 595 693 958  
E-mail: obchod@pavlinek.cz



|      |                                |   |
|------|--------------------------------|---|
| B112 | bushing 1220                   | 1 |
| B113 | pull rod unit                  | 1 |
| B114 | bushing SF-1F2015              | 2 |
| B115 | chain C-6-9-04A                | 1 |
| B116 | lock nut M5                    | 1 |
| B117 | spring pin                     | 2 |
| B118 | pinch roller axle              | 1 |
| B119 | plug screw M20X1.5             | 1 |
| B120 | combined washer 20             | 2 |
| B121 | spring                         | 1 |
| B122 | valve core                     | 1 |
| B123 | valve body                     | 1 |
| B124 | steel ball 6.35                | 1 |
| B125 | base seat unit                 | 1 |
| B126 | combined washer 10             | 2 |
| B127 | plug screw M10X1               | 2 |
| B128 | spring 1.2X9.8X22              | 1 |
| B129 | firing pin                     | 1 |
| B130 | O-ring 6.9X1.8                 | 1 |
| B131 | firing seat                    | 1 |
| B132 | O-ring 8X2.65                  | 1 |
| B133 | set screw M6X25                | 1 |
| B134 | hexagon nut M6                 | 1 |
| B135 | lever plate                    | 1 |
| B136 | pressure adjusting screw M10X1 | 1 |
| B137 | spring 2X8X16                  | 1 |
| B138 | ball seat                      | 1 |
| B139 | steel ball 5                   | 1 |
| B140 | pin roll 8X58                  | 1 |
| B141 | Y shape seal ring 31.5         | 1 |
| B142 | O-ring 65X2.65                 | 1 |
| B143 | sheath                         | 1 |
| B144 | O-ring 31.5X3.55               | 1 |
| B145 | dust ring 31.5                 | 1 |
| B146 | steel ball 19.05               | 1 |
| B147 | pump core 18X97                | 1 |
| B148 | spring cap                     | 1 |
| B149 | spring                         | 1 |
| B150 | dust ring 18                   | 1 |
| B151 | Y shape seal ring 18           | 1 |
| B152 | plunger piston 31.5*263        | 1 |
| B153 | circlip for shaft              | 1 |
| B155 | spring                         | 1 |
| B156 | spring pin 4X30                | 1 |
| B157 | lock shaft                     | 1 |
| B158 | plastic handle                 | 1 |
| B159 | spring pin 3X14                | 1 |

Oficiální prodejce:

**PAVLÍNEK**  
VÁZACÍ PROSTŘEDKY

Šalounova 746/31  
703 00 Ostrava - Vítkovice  
www.pavlinek.cz

Tel.: +420 595 693 911  
Fax: +420 595 693 958  
E-mail: obchod@pavlinek.cz

Haklift Oy

Asessorinkatu 3-7  
20780 Kaarina, Finland  
Tel. +358 2 511 5511  
sales@haklift.com  
www.haklift.com

Lifting Solutions Group  
Axel Johnson International



Oficiální prodejce:

**PAVLÍNEK**  
VÁZACÍ PROSTŘEDKY

Šalounova 746/31  
703 00 Ostrava - Vítkovice  
www.pavlinek.cz

Tel.: +420 595 693 911  
Fax: +420 595 693 958  
E-mail: obchod@pavlinek.cz



## Original Declaration of Conformity acc. to annex 2:1A

Käännös alkuperäisestä vaatimustenmukaisuusvakuutuksesta liitteen 2:1A mukaisesti  
Översättning av original försäkran om kravöverensstämmelse enligt bilaga 2:1A

**EN:** SCM Citra Oy declares that the items listed below comply with the applicable essential Health and Safety Requirements of the EC Machinery Directive 2006/42/EC. If the customer makes any modifications of the products or if the customer adds any products or components which are incompatible SCM Citra Oy will not take any responsibility for the consequences regarding the safety of the products.

**FI:** SCM Citra Oy vakuuttaa, että alla mainitut toimittamamme nostovälineet täyttävät konedirektiivin 2006/42/EY vaatimukset. SCM Citra Oy ei vastaa toimittamiensa tuotteiden turvallisuudesta, mikäli niihin tehdään muutoksia asiakkaan toimesta, tai niihin liitetään yhteensopimattomia komponentteja.

**SV:** SCM Citra Oy försäkrar att de nedan nämnda av oss levererade lyftredskapen uppfyller kraven i maskindirektiv 2006/42/EG. SCM Citra Oy svarar inte för säkerheten för de levererade produkterna, om det genom kundens försorg görs förändringar på dem, eller om inkompatibla komponenter ansluts till dem.

Product description and product numbers / Tuotekuvaus ja tuotekoodit / Produktbeskrivning och produktkoder:

*Hand pallet truck / Haarukkavaunu / Gaffelvagn;*

**HAVA1500MA:** Maximum load / Maksimikuorma / Max last 1500 kg

**HAVA2000:** Maximum load / Maksimikuorma / Max last 2000 kg

**HAVA2015PI:** Maximum load / Maksimikuorma / Max last 2000 kg

**HAVA2020PI:** Maximum load / Maksimikuorma / Max last 2000 kg

**HAVA2025PIK:** Maximum load / Maksimikuorma / Max last 2000 kg

**HAVA2012SS:** Maximum load / Maksimikuorma / Max last 2500 kg / 1500 kg

**HAVA2500:** Maximum load / Maksimikuorma / Max last 2500 kg

**HAVA2500PU:** Maximum load / Maksimikuorma / Max last 2500 kg

**HAVA2500PN:** Maximum load / Maksimikuorma / Max last 2500 kg

**HAVA2500LY600:** Maximum load / Maksimikuorma / Max last 2500 kg

**HAVA2500LY:** Maximum load / Maksimikuorma / Max last 2500 kg

**HAVA2500G:** Maximum load / Maksimikuorma / Max last 2500 kg

**HAVA2500R:** Maximum load / Maksimikuorma / Max last 2500 kg

**HAVA2500EC:** Maximum load / Maksimikuorma / Max last 2500 kg

**HAVA3500:** Maximum load / Maksimikuorma / Max last 3500 kg

**HAVA5000:** Maximum load / Maksimikuorma / Max last 5000 kg

Serial number / Sarjanumero / Seriennummer:

Oficiální prodejce:



**PAVLÍNEK**  
VÁZACÍ PROSTŘEDKY

Šalounova 746/31  
703 00 Ostrava - Vítkovice  
www.pavlinek.cz

Tel.: +420 595 693 911  
Fax: +420 595 693 958  
E-mail: obchod@pavlinek.cz

Lifting Solutions Group  
Axel Johnson International

Haklift Oy  
Asessorinkatu 3-7  
20780 Kaarina, Finland  
Tel. +358 2 511 5511  
sales@haklift.com  
www.haklift.com



**Oficiální prodejce:**

**X PAVLÍNEK**  
VÁZACÍ PROSTŘEDKY

Šalounova 746/31  
703 00 Ostrava - Vítkovice  
www.pavlinek.cz

Tel.: +420 595 693 911  
Fax: +420 595 693 958  
E-mail: obchod@pavlinek.cz



**EN:** The person authorized to compile the technical documentation in accordance with Annex VII part A:

**FI:** Konedirektiivin 2006/42/EY liitteen VII osan A mukaisen teknisen tiedoston valtuutettu kokoaja:

**SV:** Bemyndigad att sammanställa den tekniska dokumentfilen enligt bilaga VII del A till maskindirektiv 2006/42/EG:

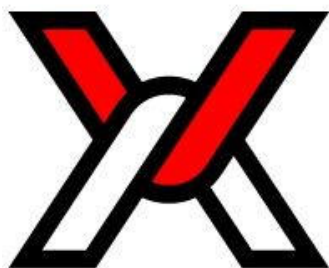
Philip Eliasson, SCM Citra Oy, Asessorinkatu 3-7, 20780 Kaarina, Finland

Manufacturer / Valmistaja / Tillverkare:

**SCM Citra Oy**  
Asessorinkatu 3-7, 20780 Kaarina, Finland  
Tel: +358 2 511 5511, sales@haklift.com  
www.haklift.com

**Date / Päiväys / Datum:**

**Oficiální prodejce:**



**PAVLÍNEK**  
VÁZACÍ PROSTŘEDKY

Šalounova 746/31  
703 00 Ostrava - Vítkovice  
www.pavlinek.cz

Tel.: +420 595 693 911  
Fax: +420 595 693 958  
E-mail: obchod@pavlinek.cz